




## ECONOMY RANGE

## 5mm pitch standard rising clamp terminal block

## Product overview

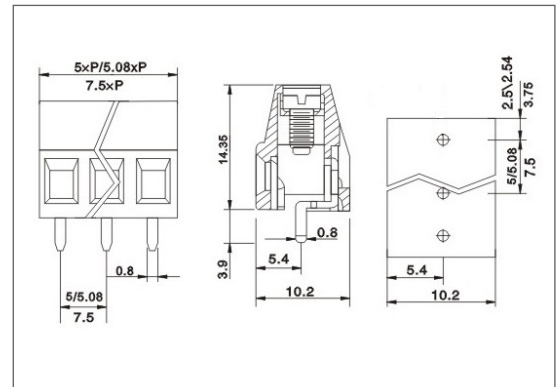
- 2-12 pole interlocking
- Professional rising clamp terminals
- Moulded in green UL94-V0 flame retardant PA66
- 0.32-3.3 mm<sup>2</sup> (22-12 AWG)
- Guided pin alignment
-  approved

CTB0102



SPECIFICATION	
Rating	10A/300V
Insulation resistance	5000M $\Omega$ /1000V
Withstand voltage	AC1500V/1min
Contact resistance	20m $\Omega$ (max)
Working temperature	-33°C to 120+°C
Mouldings	UL94-V0 Flame retardant PA66
Screw/torque	M2.5 Steel, Nickel Plated 0.4Nm
Recommended PCB hole size	$\phi$ 1.5mm

PART NO.	POLES	LENGTH
CTB0102/2	2	10mm
CTB0102/3	3	15mm
CTB0102/4	4	20mm
CTB0102/5	5	25mm
CTB0102/6	6	30mm
CTB0102/7	7	35mm
CTB0102/8	8	40mm
CTB0102/9	9	45mm
CTB0102/10	10	50mm
CTB0102/11	11	55mm
CTB0102/12	12	60mm



## KEY FEATURES

UL94-V0 PA moulding | Professional rising clamp | Interlocking

