

CT series

Sealed toggle switches

Distinctive features and specifications



- ❑ 100,000 lifecycles
- ❑ Completely sealed switching chamber
- ❑ Three terminal options available
- ❑ UL approved
- ❑ Rated up to 10A at 250VAC
- ❑ Front panel sealed to IP67

ELECTRICAL SPECIFICATIONS

Initial contact resistance	-	10mΩ max. at 1A 2VDC
Insulation resistance	-	1.000 mΩ min. at 500VDC
Dielectric strength	-	2.500 Vrms 50Hz min. between terminals 3.000 Vrms 50Hz min. between terminals and frame

ELECTRICAL RATING AND LIFE

	Functions	Alternate current	Direct current	UL
SINGLE POLE	ON-OFF and ON-ON	15A 125/250VAC resistive 10,000 cycles	15A 28VDC resistive 5A 28VDC lamp load 10,000 cycles	10A 125/250VAC according to UL 1054
	Other functions	10A 125/250VAC resistive 10,000 cycles	15A 28VDC resistive 15A 28VDC inductive 5A 28VDC lamp load 10,000 cycles, T20°C	10A 125/250VAC according to UL 1054
DOUBLE POLE	ON-OFF and ON-ON	15A 125/250VAC resistive 10,000 cycles	15A 28VDC resistive 5A 28VDC lamp load 10,000 cycles	10A 125/250VAC according to UL 1054
	Other functions	10A 125/250VAC resistive 10,000 cycles	15A 28VDC resistive 15A 28VDC inductive 5A 28VDC lamp load 10,000 cycles, T20°C	10A 125/250VAC according to UL 1054

ENVIRONMENTAL SPECIFICATIONS

Operating temperature	-	-40°C to +85°C (-40°F to +185°F)
Front sealing	-	IP67
Torque	-	2Nm (1.47 Ft. lb) max. applied to nut
Mechanical lifecycle	-	100,000 cycles

GENERAL SPECIFICATIONS

Operating temperature	-	-40°C to +85°C (-40°F to +185°F)
Front sealing	-	IP67
Torque	-	2Nm (1.47 Ft. lb) max. applied to nut
Mechanical lifecycle	-	100,000 cycles

MATERIALS

Case: Mineral filled polyester UL94-V0
 Bushing and cover: zamac
 Actuator: bright nickel
 Contacts: silver alloy; gold plated (on request)

AGENCY APPROVAL



File E83438

Availability: Consult APEM for details of approved models.

Marking: To order switches marked UL, select appropriate box on order form.



Sealed to IP67 - protected against dust and liquid ingress.

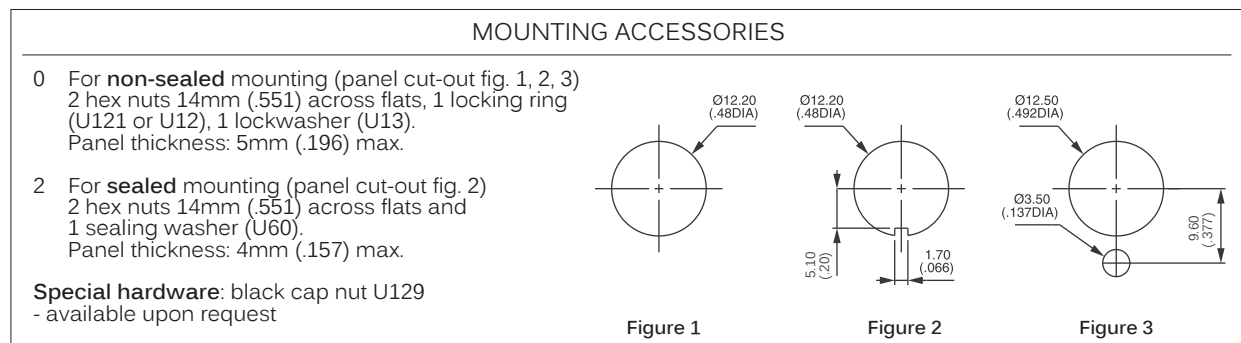
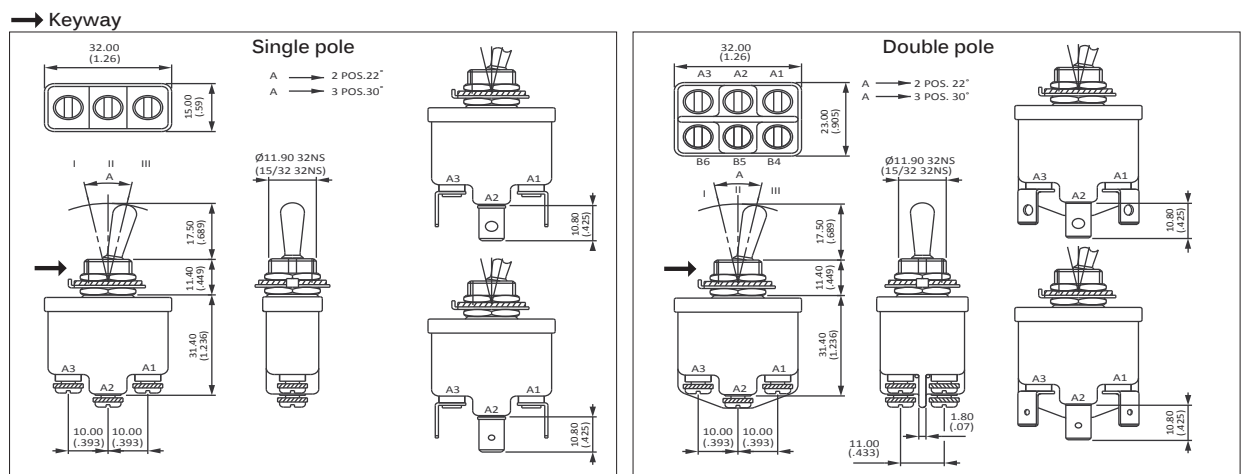
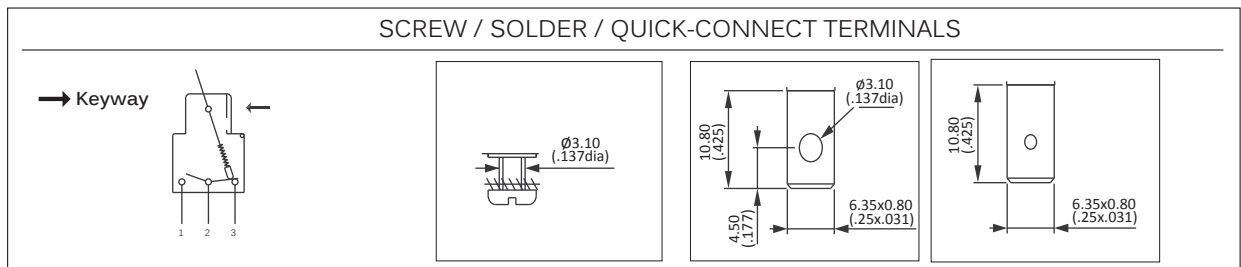
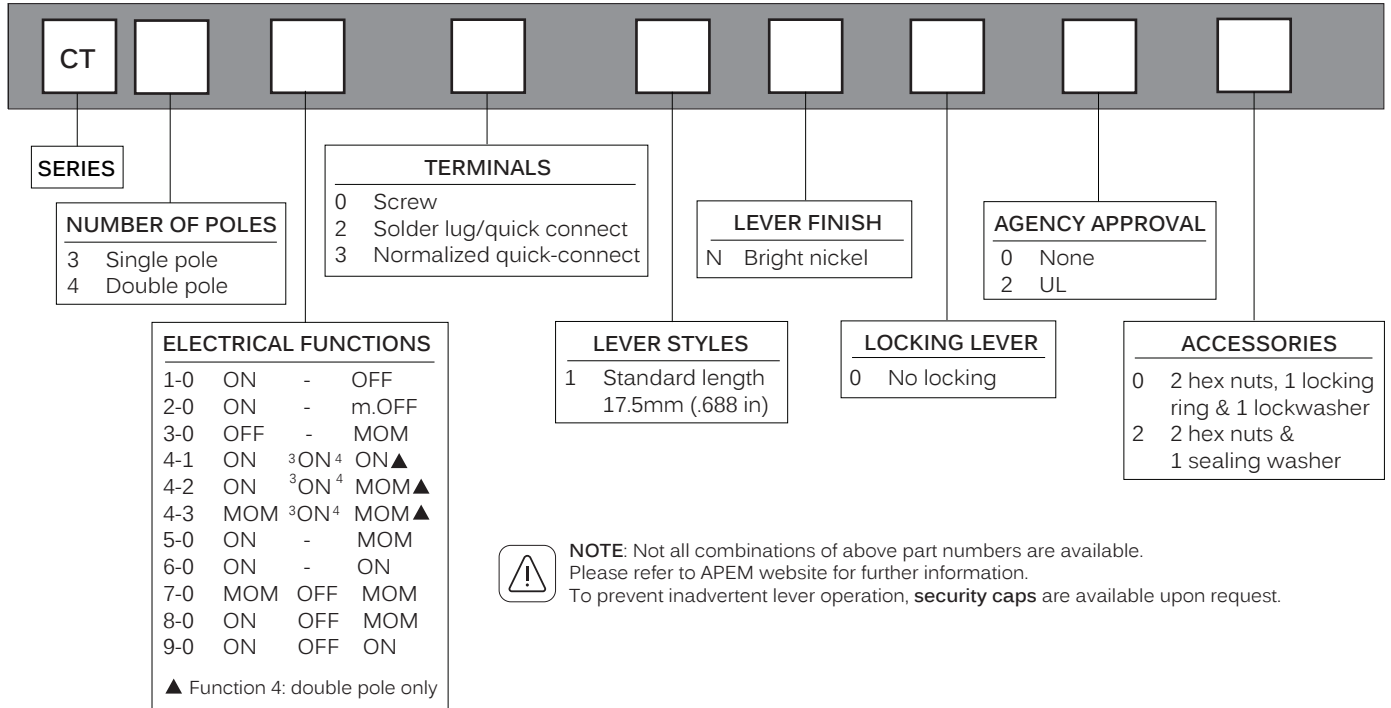


Packaging: 25 pieces

CT series

Sealed toggle switches

Overview



Note: The company reserves the right to change specifications without notice.