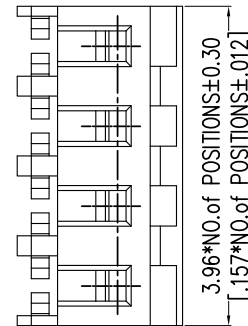
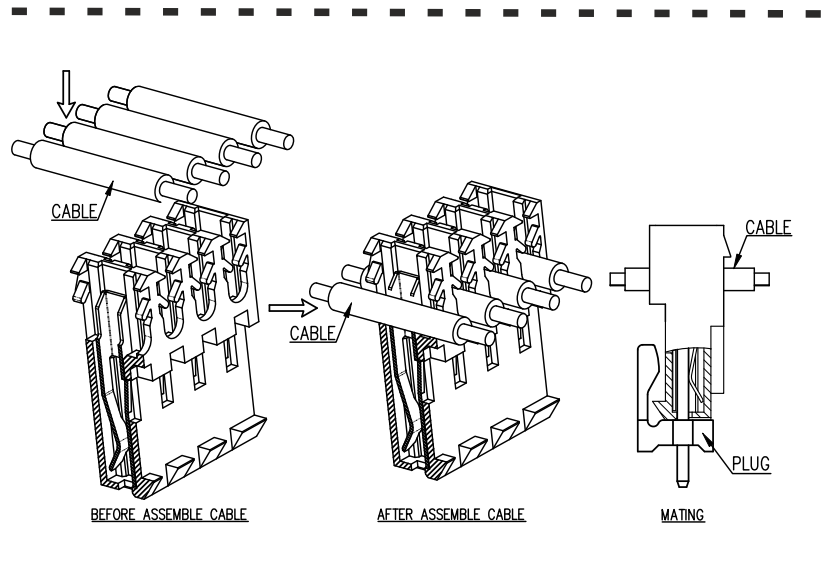
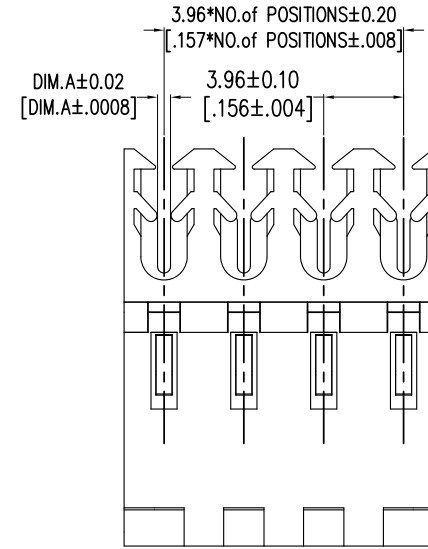
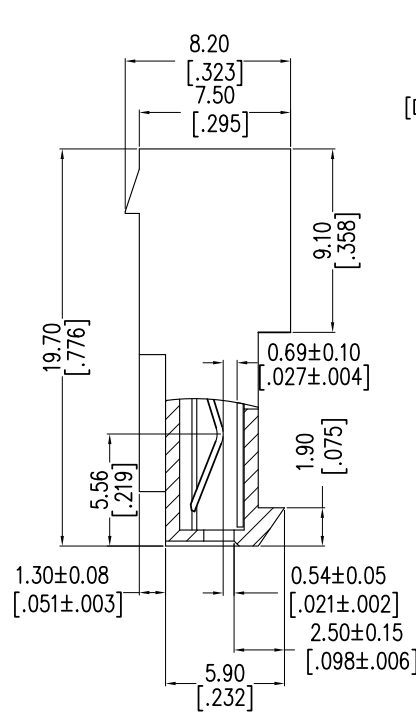
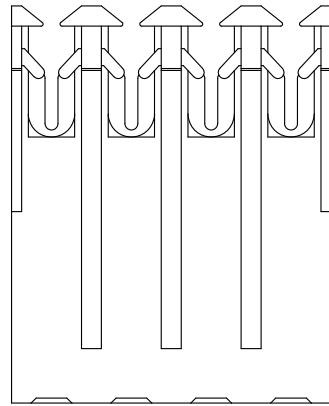


MAS-CON FEMALE THROUGH, Series 156, 3,96mm

NOTES:
 Current Rating: 5.0 - 8.0 AMP
 Voltage Rating: 300V AC
 Contact Resistance: 10mΩ max.
 Withstand Voltage: 2200V AC/DC/Minute
 Insulation Resistance: 5000MΩ min.
 Operation Temperature: -55°C to +105°C

Contact Material: Copper Alloy
 Contact Plating: Sn over Ni (Au on request)
 Insulator Material: PA66 UL94 V-2

| OPERATION | |
|-----------|-------|
| X.X | ±0.40 |
| X.XX | ±0.25 |
| X.XXX | ±0.15 |
| Angle | ± 3° |
| DIM | TOL |



Sheet 1 of 2

| REV | DATE | NOTE | NAME |
|-----|------------|---------------|------|
| 3 | 06.11.2020 | revised | JAL |
| 2 | 21.01.2020 | comp. revised | LAD |
| 1 | 26.11.2019 | issued | LAD |

MAS-CON FEMALE THROUGH, Series 156, 3,96mm



| ORDERING INFORMATION | | | | |
|----------------------|-----------|-------|-----------|----------------|
| Part No. | Wire Size | DIM A | AWG color | Current Rating |
| CT156F18-02- D E | 18 AWG | 0,85 | nature | 8,0 A |
| CT156F18-03- D E | 18 AWG | 0,85 | nature | 8,0 A |
| CT156F18-04- D E | 18 AWG | 0,85 | nature | 8,0 A |
| CT156F18-05- D E | 18 AWG | 0,85 | nature | 8,0 A |
| CT156F18-06- C E | 18 AWG | 0,85 | nature | 8,0 A |
| CT156F18-07- C E | 18 AWG | 0,85 | nature | 8,0 A |
| CT156F18-08- C E | 18 AWG | 0,85 | nature | 8,0 A |
| CT156F18-09- C E | 18 AWG | 0,85 | nature | 8,0 A |
| CT156F18-10- C E | 18 AWG | 0,85 | nature | 8,0 A |
| CT156F18-11- C E | 18 AWG | 0,85 | nature | 8,0 A |
| CT156F18-12- C E | 18 AWG | 0,85 | nature | 8,0 A |
| CT156F18-13- C E | 18 AWG | 0,85 | nature | 8,0 A |
| CT156F18-14- C E | 18 AWG | 0,85 | nature | 8,0 A |
| CT156F18-15- C E | 18 AWG | 0,85 | nature | 8,0 A |
| CT156F18-16- C E | 18 AWG | 0,85 | nature | 8,0 A |
| CT156F18-17- C E | 18 AWG | 0,85 | nature | 8,0 A |
| CT156F18-18- C E | 18 AWG | 0,85 | nature | 8,0 A |
| CT156F18-19- C E | 18 AWG | 0,85 | nature | 8,0 A |
| CT156F18-20- C E | 18 AWG | 0,85 | nature | 8,0 A |
| CT156F18-21- C E | 18 AWG | 0,85 | nature | 8,0 A |
| CT156F18-22- C E | 18 AWG | 0,85 | nature | 8,0 A |
| CT156F18-23- C E | 18 AWG | 0,85 | nature | 8,0 A |
| CT156F18-24- C E | 18 AWG | 0,85 | nature | 8,0 A |

| ORDERING INFORMATION | | | | |
|----------------------|-----------|-------|-----------|----------------|
| Part No. | Wire Size | DIM A | AWG color | Current Rating |
| CT156F20-02- D E | 20 AWG | 0,64 | brown | 7,5 A |
| CT156F20-03- D E | 20 AWG | 0,64 | brown | 7,5 A |
| CT156F20-04- D E | 20 AWG | 0,64 | brown | 7,5 A |
| CT156F20-05- D E | 20 AWG | 0,64 | brown | 7,5 A |
| CT156F20-06- C E | 20 AWG | 0,64 | brown | 7,5 A |
| CT156F20-07- C E | 20 AWG | 0,64 | brown | 7,5 A |
| CT156F20-08- C E | 20 AWG | 0,64 | brown | 7,5 A |
| CT156F20-09- C E | 20 AWG | 0,64 | brown | 7,5 A |
| CT156F20-10- C E | 20 AWG | 0,64 | brown | 7,5 A |
| CT156F20-11- C E | 20 AWG | 0,64 | brown | 7,5 A |
| CT156F20-12- C E | 20 AWG | 0,64 | brown | 7,5 A |
| CT156F20-13- C E | 20 AWG | 0,64 | brown | 7,5 A |
| CT156F20-14- C E | 20 AWG | 0,64 | brown | 7,5 A |
| CT156F20-15- C E | 20 AWG | 0,64 | brown | 7,5 A |
| CT156F20-16- C E | 20 AWG | 0,64 | brown | 7,5 A |
| CT156F20-17- C E | 20 AWG | 0,64 | brown | 7,5 A |
| CT156F20-18- C E | 20 AWG | 0,64 | brown | 7,5 A |
| CT156F20-19- C E | 20 AWG | 0,64 | brown | 7,5 A |
| CT156F20-20- C E | 20 AWG | 0,64 | brown | 7,5 A |
| CT156F20-21- C E | 20 AWG | 0,64 | brown | 7,5 A |
| CT156F20-22- C E | 20 AWG | 0,64 | brown | 7,5 A |
| CT156F20-23- C E | 20 AWG | 0,64 | brown | 7,5 A |
| CT156F20-24- C E | 20 AWG | 0,64 | brown | 7,5 A |

| ORDERING INFORMATION | | | | |
|----------------------|-----------|-------|-----------|----------------|
| Part No. | Wire Size | DIM A | AWG color | Current Rating |
| CT156F22-02- D E | 22 AWG | 0,48 | red | 6,5 A |
| CT156F22-03- D E | 22 AWG | 0,48 | red | 6,5 A |
| CT156F22-04- D E | 22 AWG | 0,48 | red | 6,5 A |
| CT156F22-05- D E | 22 AWG | 0,48 | red | 6,5 A |
| CT156F22-06- C E | 22 AWG | 0,48 | red | 6,5 A |
| CT156F22-07- C E | 22 AWG | 0,48 | red | 6,5 A |
| CT156F22-08- C E | 22 AWG | 0,48 | red | 6,5 A |
| CT156F22-09- C E | 22 AWG | 0,48 | red | 6,5 A |
| CT156F22-10- C E | 22 AWG | 0,48 | red | 6,5 A |
| CT156F22-11- C E | 22 AWG | 0,48 | red | 6,5 A |
| CT156F22-12- C E | 22 AWG | 0,48 | red | 6,5 A |
| CT156F22-13- C E | 22 AWG | 0,48 | red | 6,5 A |
| CT156F22-14- C E | 22 AWG | 0,48 | red | 6,5 A |
| CT156F22-15- C E | 22 AWG | 0,48 | red | 6,5 A |
| CT156F22-16- C E | 22 AWG | 0,48 | red | 6,5 A |
| CT156F22-17- C E | 22 AWG | 0,48 | red | 6,5 A |
| CT156F22-18- C E | 22 AWG | 0,48 | red | 6,5 A |
| CT156F22-19- C E | 22 AWG | 0,48 | red | 6,5 A |
| CT156F22-20- C E | 22 AWG | 0,48 | red | 6,5 A |
| CT156F22-21- C E | 22 AWG | 0,48 | red | 6,5 A |
| CT156F22-22- C E | 22 AWG | 0,48 | red | 6,5 A |
| CT156F22-23- C E | 22 AWG | 0,48 | red | 6,5 A |
| CT156F22-24- C E | 22 AWG | 0,48 | red | 6,5 A |

| ORDERING INFORMATION | | | | |
|----------------------|-----------|-------|-----------|----------------|
| Part No. | Wire Size | DIM A | AWG color | Current Rating |
| CT156F24-02- D E | 24 AWG | 0,34 | black | 5,0 A |
| CT156F24-03- D E | 24 AWG | 0,34 | black | 5,0 A |
| CT156F24-04- D E | 24 AWG | 0,34 | black | 5,0 A |
| CT156F24-05- D E | 24 AWG | 0,34 | black | 5,0 A |
| CT156F24-06- C E | 24 AWG | 0,34 | black | 5,0 A |
| CT156F24-07- C E | 24 AWG | 0,34 | black | 5,0 A |
| CT156F24-08- C E | 24 AWG | 0,34 | black | 5,0 A |
| CT156F24-09- C E | 24 AWG | 0,34 | black | 5,0 A |
| CT156F24-10- C E | 24 AWG | 0,34 | black | 5,0 A |
| CT156F24-11- C E | 24 AWG | 0,34 | black | 5,0 A |
| CT156F24-12- C E | 24 AWG | 0,34 | black | 5,0 A |
| CT156F24-13- C E | 24 AWG | 0,34 | black | 5,0 A |
| CT156F24-14- C E | 24 AWG | 0,34 | black | 5,0 A |
| CT156F24-15- C E | 24 AWG | 0,34 | black | 5,0 A |
| CT156F24-16- C E | 24 AWG | 0,34 | black | 5,0 A |
| CT156F24-17- C E | 24 AWG | 0,34 | black | 5,0 A |
| CT156F24-18- C E | 24 AWG | 0,34 | black | 5,0 A |
| CT156F24-19- C E | 24 AWG | 0,34 | black | 5,0 A |
| CT156F24-20- C E | 24 AWG | 0,34 | black | 5,0 A |
| CT156F24-21- C E | 24 AWG | 0,34 | black | 5,0 A |
| CT156F24-22- C E | 24 AWG | 0,34 | black | 5,0 A |
| CT156F24-23- C E | 24 AWG | 0,34 | black | 5,0 A |
| CT156F24-24- C E | 24 AWG | 0,34 | black | 5,0 A |

Sheet 2 of 2

| REV | DATE | NOTE | NAME |
|-----|------------|---------------|------|
| 3 | 06.11.2020 | revised | JAL |
| 2 | 21.01.2020 | comp. revised | LAD |
| 1 | 26.11.2019 | issued | LAD |