

SPECIFICATIONS

Electrical Ratings	50mA @ 50VDC
Electrical Life	100,000 cycles typical
Contact Resistance	< 50 mΩ initial
Actuation Force	180+/- 50gF
Actuator Travel	.30 +/- .15mm
Dielectric Strength	250Vrms min
Insulation Resistance	> 100MΩ min
Operating Temperature	-40°C to 85°C
Storage Temperature	-40°C to 85°C



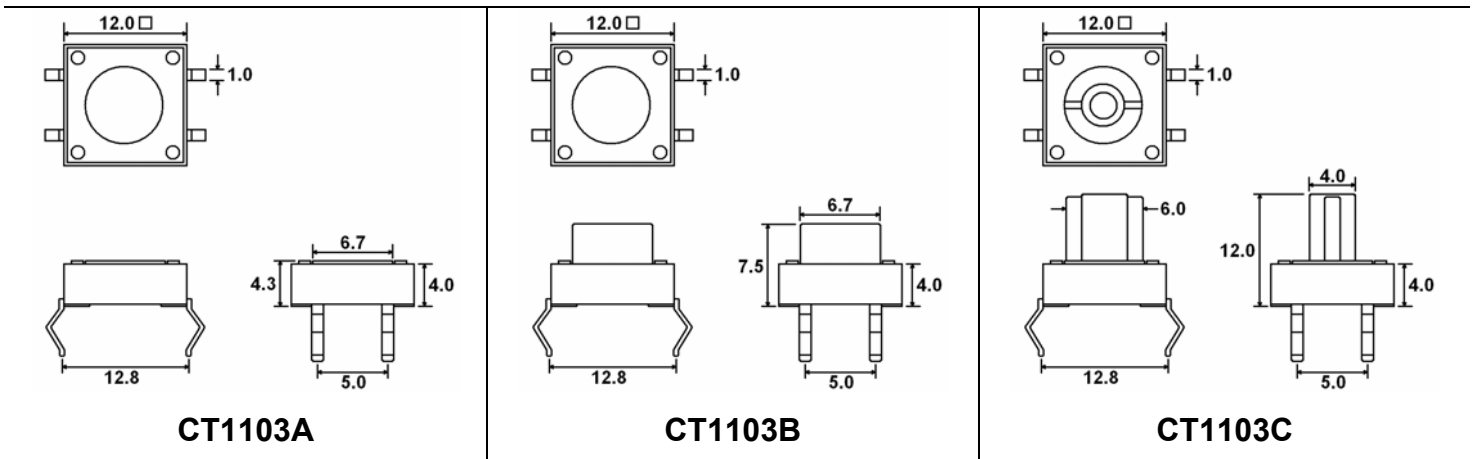
MATERIALS ←RoHS COMPLIANT

Actuator	6/6 Nylon
Housing	6/6 Nylon
Cover	Stainless Steel
Contacts	Phosphor Bronze, Silver Plated
Terminals	Brass, Silver Plated

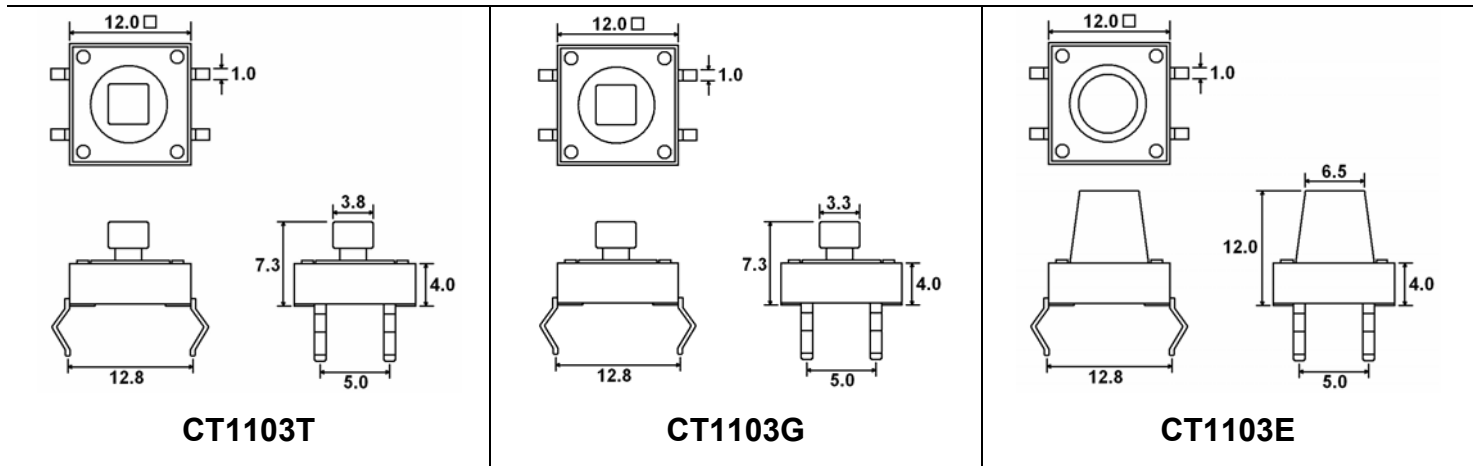
ORDERING INFORMATION

1. Series:	CT1103	G	F180	C141
CT1103				
2. Actuator Options:				
A				
B				
C				
T				
G				
E				
3. Actuation Force:				
F180 = 180gF				
4. Caps:	Cap Colors:			
Blank = No Cap	C19	**See Cap Options for color availability ** Caps available with G actuator only		
C11	C22			
C12	C26			
C13	C27			
C16	C28			
C18				

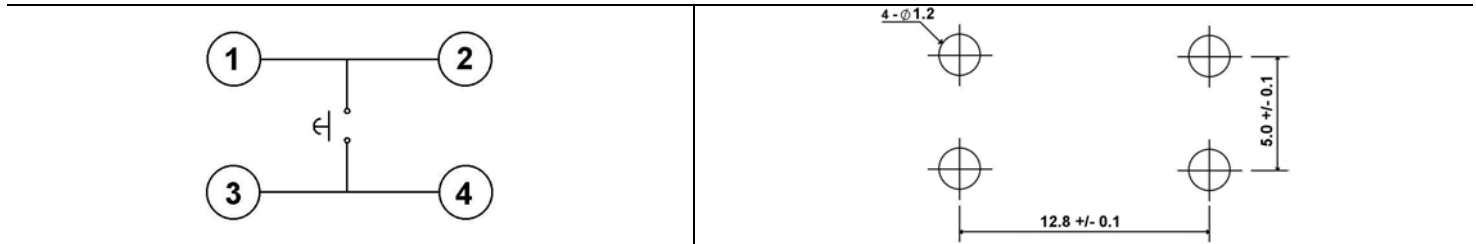
DIMENSIONS



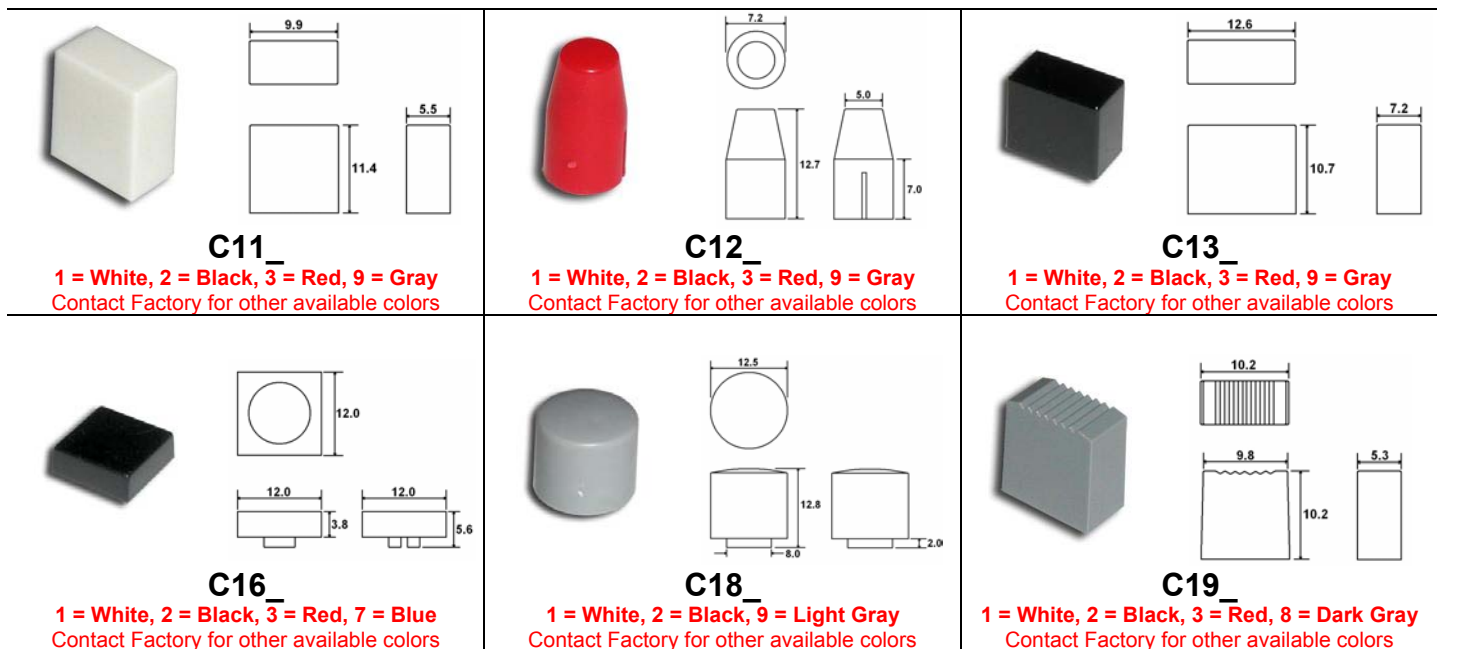
DIMENSIONS



SCHEMATIC & PC LAYOUT



CAP OPTIONS ← FOR G ACTUATOR



CAP OPTIONS ←FOR G ACTUATOR

<p>3D view of a light gray rectangular actuator. Dimensions: top view 5.5 x 5.0, side view 8.8 x 5.0.</p> <p>C22_ 2 = Black, 8 = Dark Gray, 9 = Light Gray Contact Factory for other available colors</p>	<p>3D view of a light gray rectangular actuator. Dimensions: top view 12.0 x 5.7, side view 11.0 x 5.7.</p> <p>C26_ 1 = White, 2 = Black, 3 = Red, 9 = Light Gray Contact Factory for other available colors</p>	<p>3D view of a dark gray square actuator. Dimensions: top view 8.0 x 8.0, side view 8.0 x 4.0.</p> <p>C27_ 1 = White, 2 = Black, 3 = Red, 8 = Dark Gray Contact Factory for other available colors</p>
<p>3D view of a black rectangular actuator. Dimensions: top view 11.0 x 5.0, side view 4.0 x 5.0.</p> <p>C28_ 1 = White, 2 = Black, 3 = Red, 8 = Dark Gray Contact Factory for other available colors</p>		