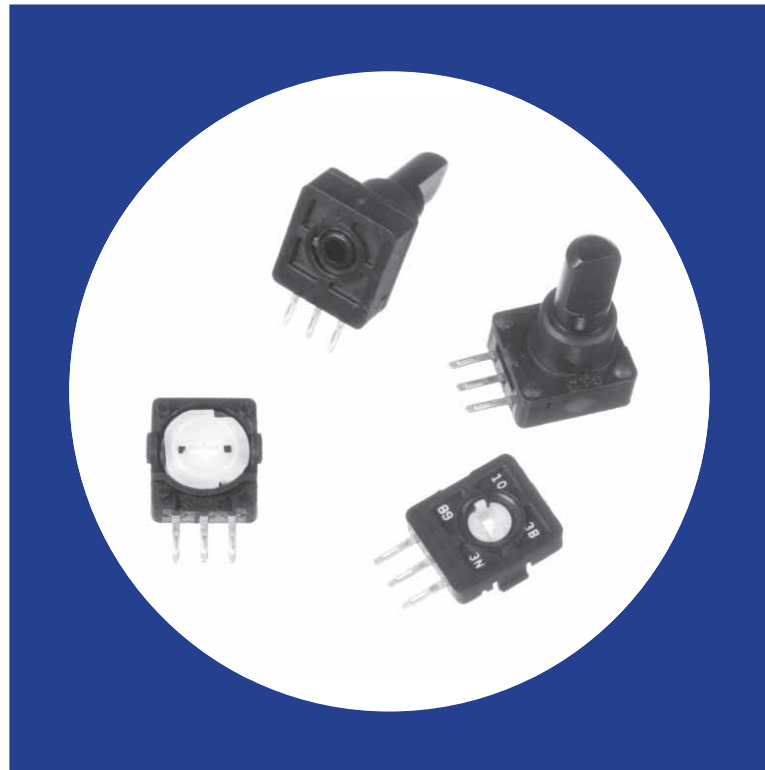


Long Life 9mm Diameter Composition Element Variable Resistor

Features

- 1 million cycle life
- Miniature 9 mm size
- Multiple rotation angles available
- Low rotational torque
- Sturdy insert molded PC terminals
- Bushing mount or shaftless available
- Tap available
- Popular in joystick & gaming wheel application
- RoHS compliant



Electrical and Mechanical Specifications

Resistance Range

10 K ohms through 200 K ohms

Resistance Tolerance

Standard: $\pm 30\%$

Available: $\pm 20\%$, $\pm 10\%$

Linear Resistance Taper Only

$\pm 5\%$ linearity

Power Rating

0.01 watt at 50°C derated to no load at 85°C

Maximum Operating Voltage

Maximum 50 VAC or 5 VDC

Insulation Resistance

100 megaohms minimum @ 250 VDC

Operating Temperature

-10°C to +70°C

Angle of Rotation

Mechanical Rotation

With Shaft: 180°

No Shaft: 360°

Effective Rotation:

40°, 50°, 60°, 70°, 85°, 90°, 110°, 212.5°

Custom rotation angles are available

Tap Available

4° angle at 50% rotation optional

Other taps available - consult CTS

Rotational Torque

3 to 30 gf-cm

Rotational Life

1,000,000 cycles

Shaft Information

Flatted, molded shaft

Diameter: 3.96 mm or 5.0 mm,

depending on shaft trim

Mounting Information

Bushing (unthreaded)

Diameter: 7.00 mm

Length: 5.00 mm

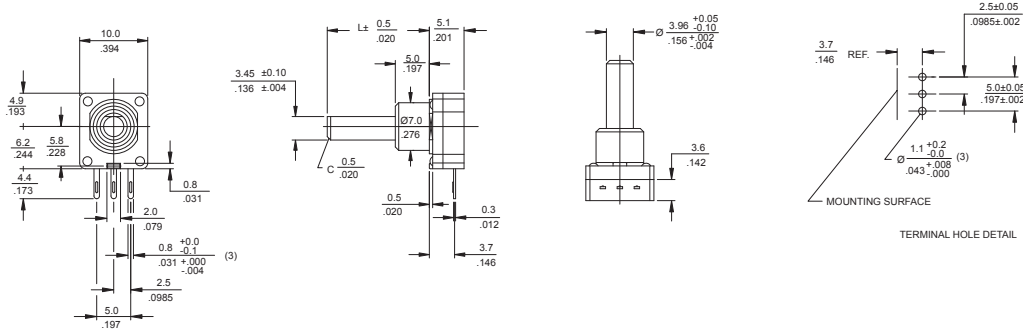
Materials

Housing: UL 94V-2

Shaft / Bushing: UL 94V-2

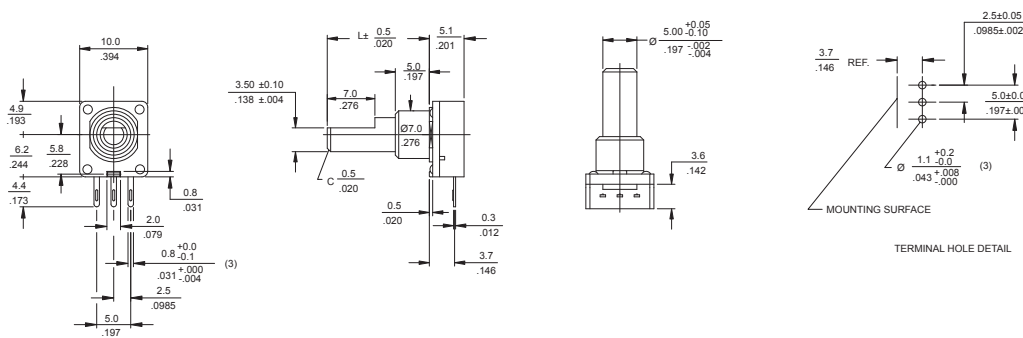
Element Base: UL 94HB bakelite

"T" Shaft Trim



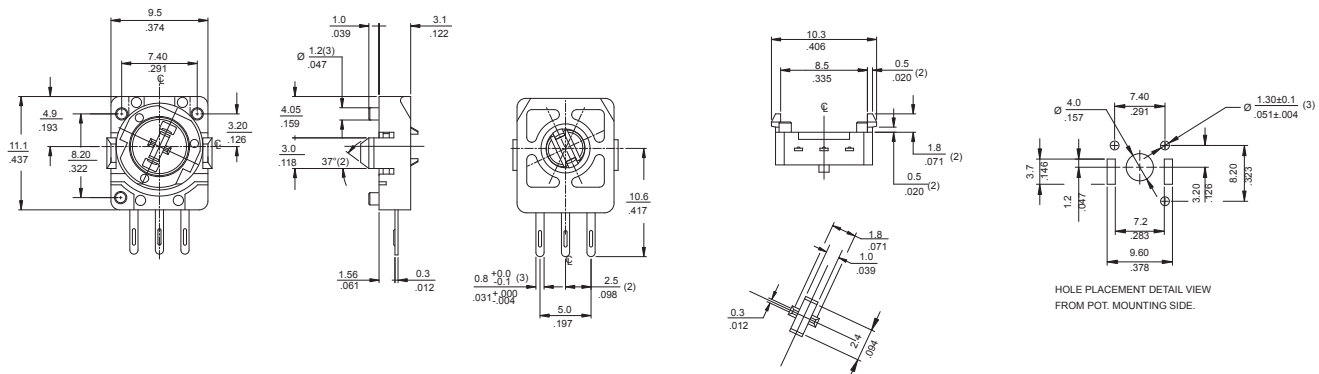
DIMENSION: $\frac{\text{mm}}{\text{INCH}}$

"F" Shaft Trim



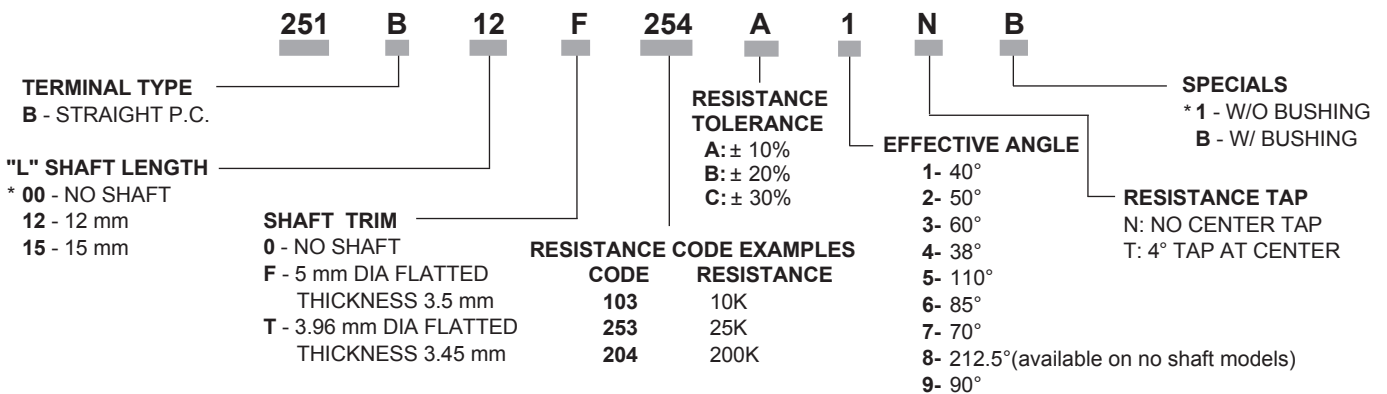
DIMENSION: $\frac{\text{mm}}{\text{INCH}}$

No Shaft



DIMENSION: $\frac{\text{mm}}{\text{INCH}}$

Ordering Information



*No shaft models equip without bushing