



MODEL: CSQ-RP-E | **DESCRIPTION:** MAGNETIC BUZZER

FEATURES

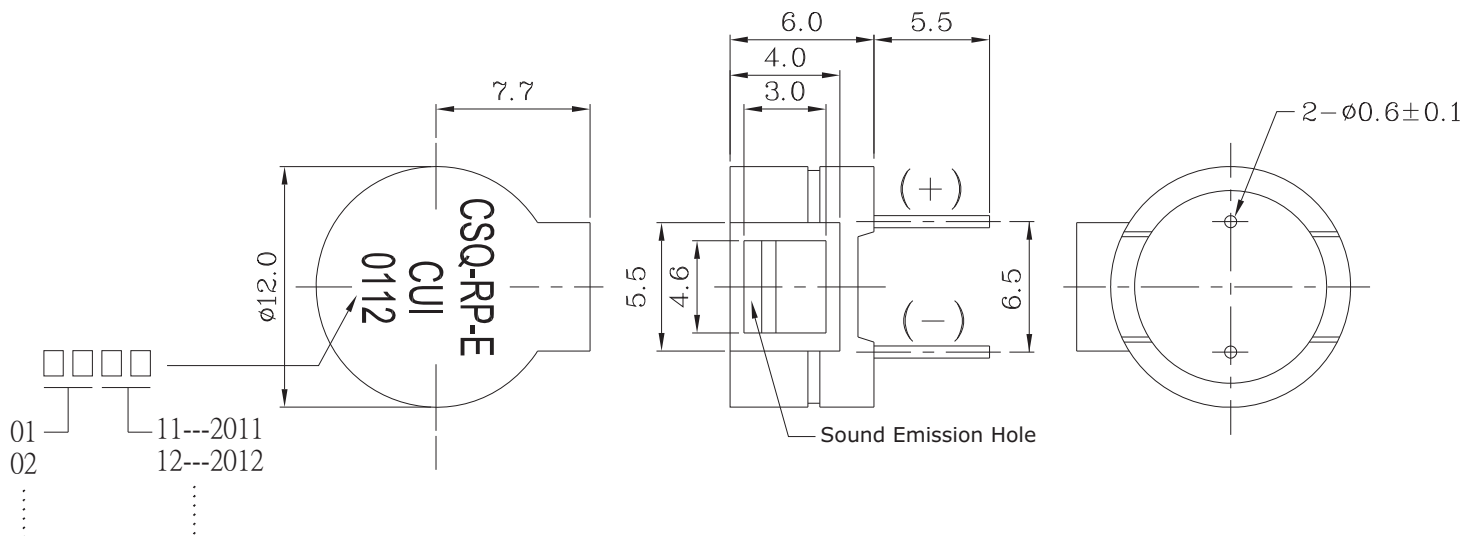
- side port
- SPL 85 dB
- low profile



SPECIFICATIONS

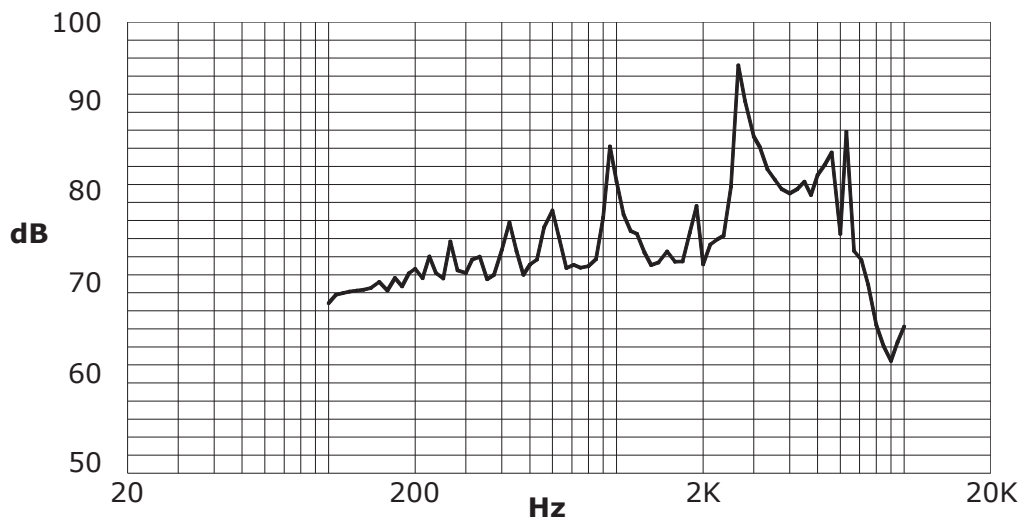
parameter	conditions/description	min	typ	max	units
rated voltage			1.5		Vo-p
operating voltage		1.0		2.0	Vo-p
current consumption	at rated voltage, 2,730 Hz square wave, 1/2 duty			80	mA
coil resistance		4.0	5.0	6.0	Ω
sound pressure level	at 10 cm	85	91		dB
rated frequency			2,730		Hz
dimensions	ø12.0 x H6.0				mm
weight			1.40		g
material	PPO				
terminal	pin type (Au plating)				
operating temperature		-20		60	°C
storage temperature		-30		70	°C
RoHS	yes				

MECHANICAL DRAWING

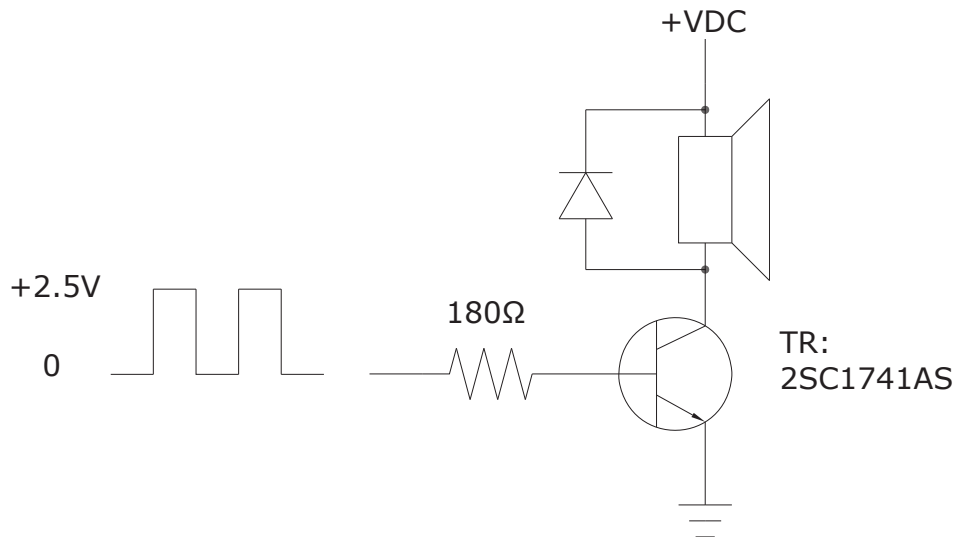


FREQUENCY RESPONSE CURVE

A: frequency response. Magn dB re 20.00μPA



MEASUREMENT METHOD



REVISION HISTORY

rev.	description	date
1.0	initial release	01/26/2006
1.01	updated template and model number	04/24/2012

The revision history provided is for informational purposes only and is believed to be accurate.



Headquarters
20050 SW 112th Ave.
Tualatin, OR 97062
800.275.4899

Fax 503.612.2383
cui.com
techsupport@cui.com

CUI offers a one (1) year limited warranty. Complete warranty information is listed on our website.

CUI reserves the right to make changes to the product at any time without notice. Information provided by CUI is believed to be accurate and reliable. However, no responsibility is assumed by CUI for its use, nor for any infringements of patents or other rights of third parties which may result from its use.

CUI products are not authorized or warranted for use as critical components in equipment that requires an extremely high level of reliability. A critical component is any component of a life support device or system whose failure to perform can be reasonably expected to cause the failure of the life support device or system, or to affect its safety or effectiveness.