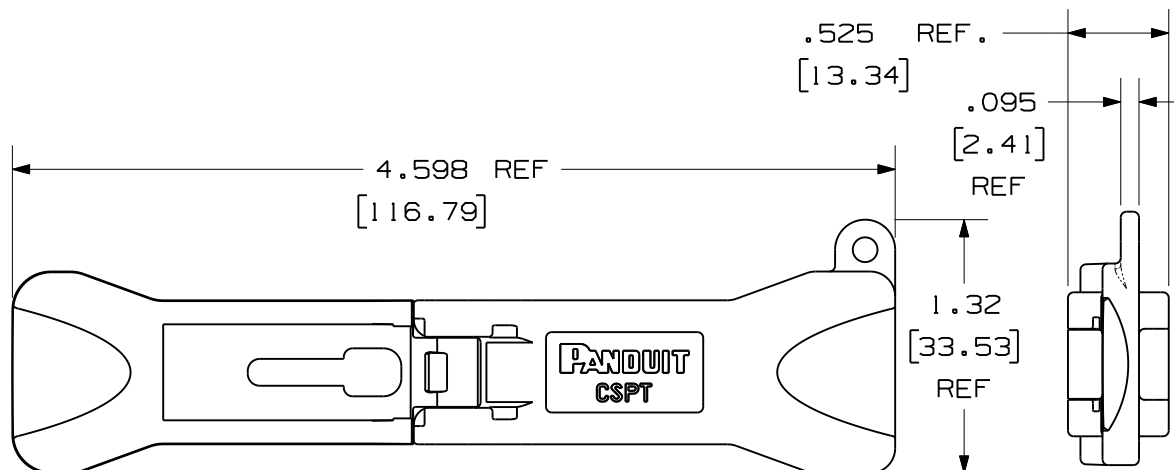
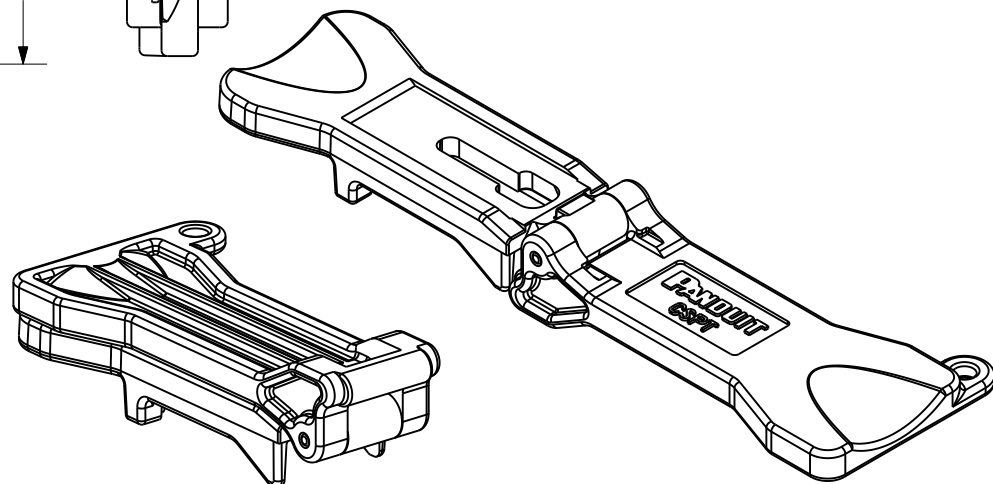
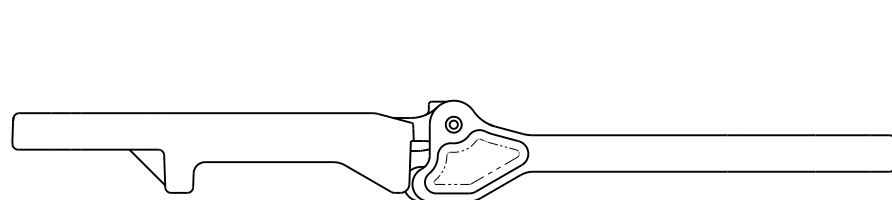


THIS COPY IS PROVIDED ON A RESTRICTED BASIS AND IS NOT TO BE USED IN ANY WAY DETRIMENTAL TO THE INTERESTS OF PANDUIT CORP.



PANDUIT P/N	WEIGHT
CSPT	.28 LB/10 PCS (127.0 g/10 PCS)

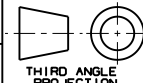
- NOTES:
1. SEE CURRENT CATALOG FOR PACKAGE QUANTITY.
  2. SEE CATALOG FOR COMPLETE LIST OF PARTS APPLICABLE FOR USE WITH THIS PART.
  3. DIMENSIONS IN PARENTHESES ARE IN METRIC.
  4. MATERIAL: 20% GLASS FILLED NYLON.



MODEL FILENAME	M01558BA_CGJT_ASSY_00.PRT	SIZE	A
DRAWING FILENAME	M01558BA_DC01_00A.PRT		

TITLE  
TX6™ MODULAR PLUG  
TERMINATION TOOL CUSTOMER DRAWING

 <b>PANDUIT</b> <sup>R</sup> CORP. TINLEY PARK, IL 60477	I.I. NUMBER	NS-0598
	PRODUCT SPEC	

 THIRD ANGLE PROJECTION	ALL DIMENSIONS ARE GIVEN IN INCHES, UNLESS OTHERWISE SPECIFIED. DIMENSIONAL TOLERANCES ARE: (.X) ± (.XXX) ± (.XX) ± ANGLES ±	WORK INSTRUCTION	
		SCALE	FULL

DRAWN BY	MDJr	REVIEW DRAWING NUMBERS		PART NO.	CSPT
DATE	11-19-02			DRAWING NO.	01558-01

REV	DATE	BY	CHK	DESCRIPTION	ECN	R	CUST	SUP	OTH
R	1-25-08	MDJr		RELEASED TO PRODUCTION	01558-01				