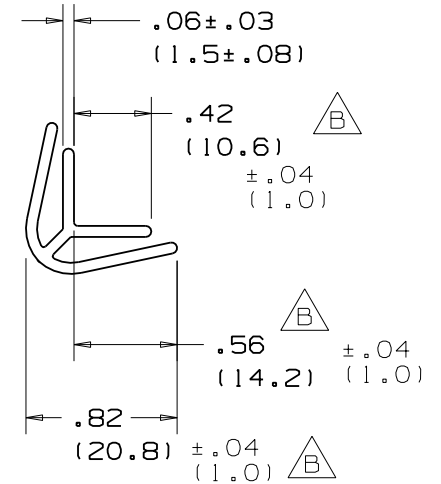
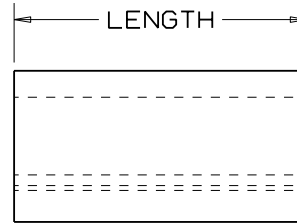


THIS COPY IS PROVIDED ON A RESTRICTED BASIS AND IS NOT TO BE USED IN ANY WAY DETRIMENTAL TO THE INTERESTS OF PANDUIT CORP.

NOTE:



1. SEE CURRENT CATALOG FOR PART NUMBER SUFFIX DESIGNATION FOR COLOR AND PACKAGE SIZE.
2. DIMENSIONS ARE IN INCHES (MILLIMETERS).



PART NAME	PANDUIT PART NUMBER	LENGTH IN (mm)	WEIGHT lb/(g) PER pcs
CORNER STRIP	CS1**6	72.00 (1828.7)	0.728/(330.2)
PART NAME	PANDUIT PART NUMBER	LENGTH IN (mm)	WEIGHT lb/(g) 100 pcs
CORNER STRIP PIECE	CSP1LG-0	.47 (11.9)	.49/(222)
	CSP1.5LG-0	1.04 (26.4)	.60/(272)
	CSP2LG-0	1.23 (31.2)	.80/(362)
	CSP3LG-0	2.27 (57.7)	1.60/(725)
	CSP4LG-0	3.25 (82.6)	2.40/(1087)



CAD FILENAME/LAYERS D34047BA_CSP_C_02A.PRT

REV	DATE	BY	CHK	DESCRIPTION	ECN	R	CUST	SUP
3	4-12-06	JCST	JKG	E. REV'D LENGTHS AND WEIGHTS.	34047-01	JKG	JKG	
2	9-7-01	JCST	JKG	D. CHANGED NOTES C. ADDED CS1**6 - CHANGED TITLE BLOCK	34047-01	JKG	JKG	
1	8-18-94	DW	KRK1	B. ADDED TOLERANCES. A. REV'D LENGTHS AND WEIGHTS.	34047-01	CEF	CEF	
R	10-3-86	LDB	WJB	RELEASED TO PRODUCTION	34047-01	R		

PANDUIT CORP. TINLEY PARK, ILLINOIS

CORNER STRIP (CS1**6 & CSP*LG-Q)
6 FOOT LENGTHS AND PIECES
CUSTOMER DRAWING

UNLESS OTHERWISE SPECIFIED, DIMENSIONAL TOLERANCES ARE:
(.X) ± (.XXX) ±
(.XX) ±.060 (1.5) ANGLES ±

UNLESS OTHERWISE SPECIFIED, ALL DIMENSIONS ARE GIVEN IN INCHES, THIRD ANGLE PROJECTION.

SCALE FULL

DRAWING NO. 34047-01

DWG SIZE A

DRAWN BY L BENTZ
DATE 10-3-86
CHK'D WJB

MAT'L: POLYVINYL CHLORIDE