

Type CSG-01

Fuse Clip – with End Stops

13/32” (10.3mm) Diameter Fuses



www.optifuse.com

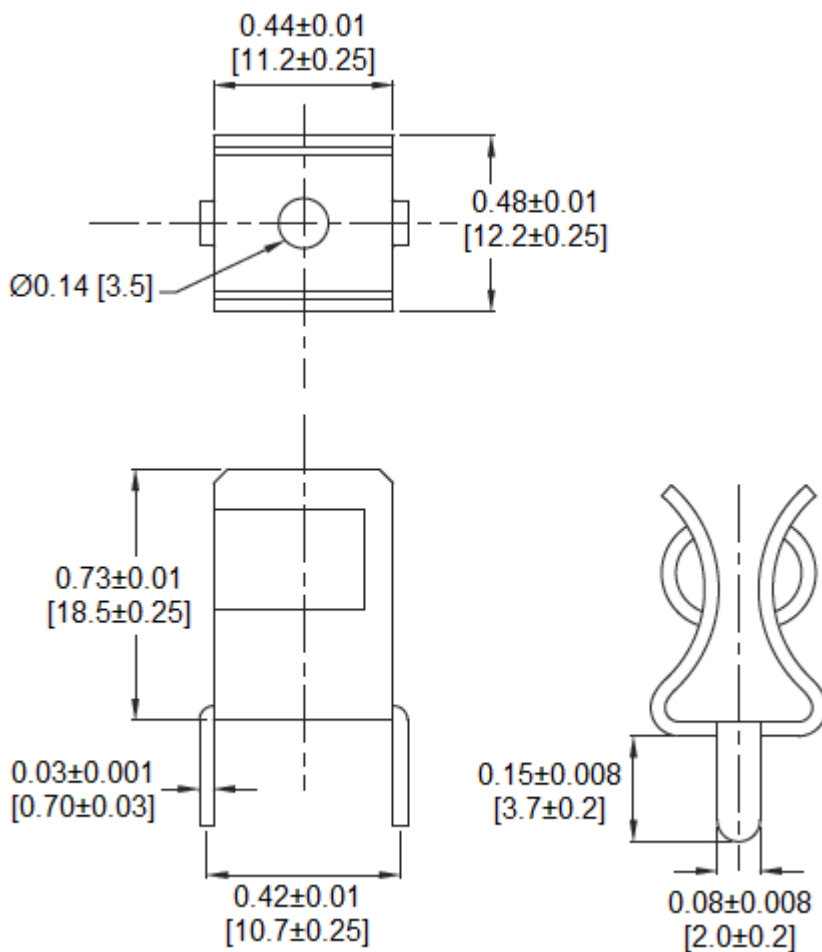
(619) 593-5050

Specifications:

- Rating: 30A, 250V AC
- Body Material: Spring Brass
- Finish: Bright Tin Plated
- Fuse Clip Type: With End Stops

For use with 13/32” (10.3mm) Diameter Fuses

Mechanical Dimensions: Inches [mm]



Warning:



- Operation beyond the specified maximum ratings or improper use may result in damage and possible electrical arcing and/or flame.
- Avoid contact of device with chemical solvent. Prolonged contact may damage the device performance.
- Not designed for prolonged liquid exposure or submersible applications.

Note: All specifications subject to change without notice.

Rev C 09/2015 - Page: 1/1
Code G02-01H