

specifications

Fiber/Multi-Media boxes shall be 6 and 12 port low profile multi-media boxes with a "captive" spool to store up to 24 meters of buffered optical fiber. All connections exit one side of the box parallel to the wall. The boxes mount with screws or adhesive. The boxes accept tamper resistant screws concealed by screw covers and labels. The box covers include breakouts for use with surface raceway and cable tie slots to provide strain relief on incoming cables.



MINI-COM® Multi-Media/Fiber Surface Mount Boxes

technical information

Dimensions:	CBXF6=HxWxD=.99x4.1x6.67in. (25x120x170mm) CBXF12=HxWxD=1.81x4.71x6.67in. (46x120x170mm)
Mounting options:	Holes spaced for single gang, double gang and DIN size opening. Adhesive tape is supplied for surface mounting
Fiber spool capacity:	78.8ft (24m) of buffered fiber
Material:	ABS plastic
Compatible raceways:	CBXF6 - LD3, LD5 CBXF12 - LD3, LD5, LD10
Packaging:	Supplied with cable ties, adhesive tape, label/label cover, screw cover, mounting screws and tamper resistant screws

key features and ...benefits

Low profile	Less noticeable, blends into the wall, less chance of getting bumped
Modularity	Accepts MINI-COM Modules for copper and fiber applications
Built-in fiber spool	Meets TIA/EIA-568B requirements for spooling of 1M of fibers
Raceway breakouts	Provides multiple options for cable routing, including side, rear and bottom of base
Tamper resistant screw	Protects terminations from tampering by securing the base to the cover
Label and label cover	Provides identification of outlet station
12 port density	More capacity for high density applications

applications

The multi-media surface mount boxes allow MINI-COM modules to be mounted on a wall, filing cabinet, modular furniture or underside of a workstation. The surface mount box raceway breakouts and opening in the bottom of the base make cable routing easy.

The high density 12 port surface mount box can be used as Multi-User Telecommunications

Outlet Assembly (MuTOA). This allows several workstations to be serviced from one centralized connection point. Patch cords are routed from the surface mount box directly to the work area equipment, where many moves, adds and changes can be handled with ease. The captive fiber spool accommodates the spooling of fiber cable in multi-media applications.

Multi-Media/Fiber Surface Mount Boxes

6 module space:	CBXF6**-A
12 module space:	CBXF12**-A

MINI-COM Modules

Copper modules	
Category 6:	CJ688T3^^
Category 5e:	CJ5E88T^^
Fiber optic adapter modules	
SC duplex (MM/SM):	CMDBUSCBL
SC simplex (MM/SM):	CMSEISCEI
ST simplex (MM/SM):	CMSTEI
MT-RJ duplex (MM):	CMMJEI
FC simplex (MM/SM):	CMFCEI

Fiber optic FJ duplex jack modules

FJ OPTI-CRIMP™ 62.5µm:	FJJSMM5CEI
FJ OPTI-CRIMP 50µm:	FJJSMM50CEI
FJ field polish 62.5/50µm:	FJJGM5CEI
FJ field polish 9µm:	FJGS9CBU

(^^ Substitute: IW=Off White, EI=Electric Ivory, IG=International Gray, WH=White, BL=Black, OR=Orange, RD=Red, BU=Blue, GR=Green, YL=Yellow, VL=Violet)

Accessories

Opaque cover:	CSC**-X
Label/label cover kit:	CSGLLC-L
Label/label cover kit with screws:	EFPK-X

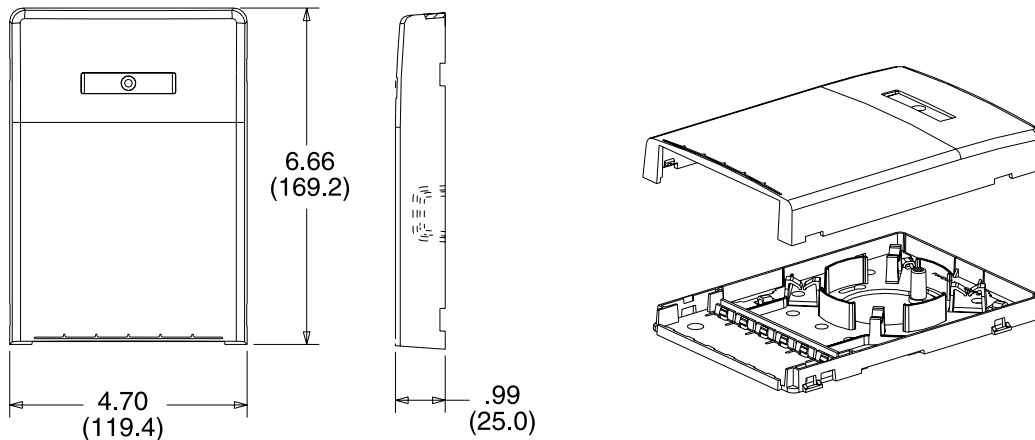
Self Adhesive Marker Books

Voice, data and fax icons:	PSCB-COM
Blank for write ons:	PSCB-BLNK

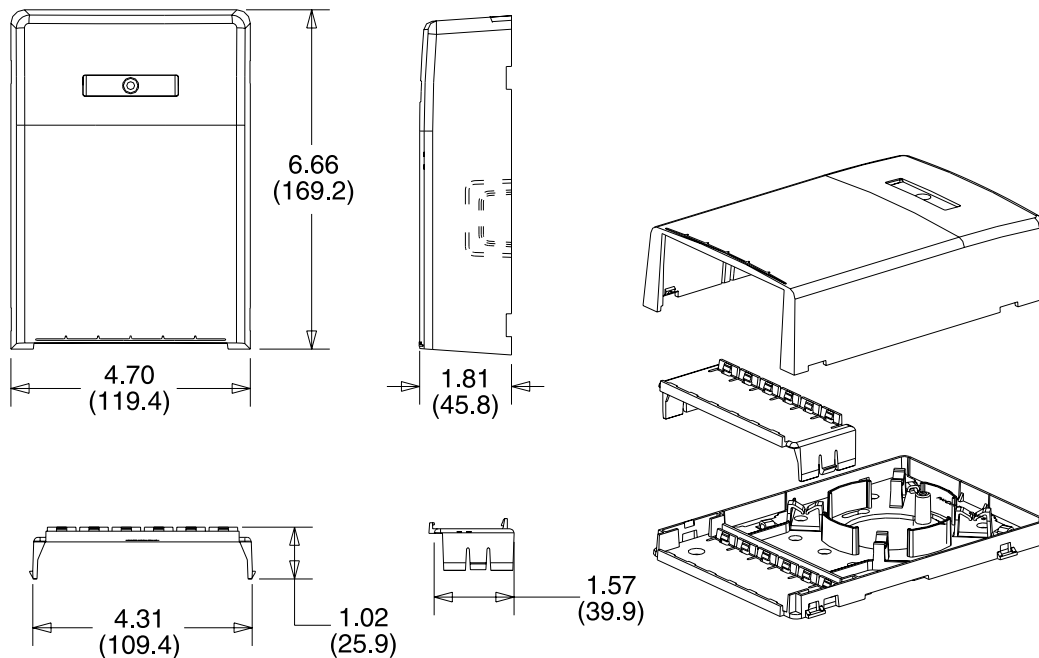
** Substitute: EI = Electrical Ivory
BL = Black
IG = International Gray
IW = Off White
WH = White

MINI-COM[®] Multi-Media/Fiber Surface Mount Boxes

6 Module Space Multi-Media/Fiber Box



12 Module Space Multi-Media/Fiber Box



Dimensions are in inches (Dimensions in parentheses are in metric)

Our products are warranted to be free from defects in material and workmanship at the time of sale but our obligation under this warranty is limited to the replacement of any product proved to be defective within 6 months (for product) or 90 days (for tools) from the date of delivery. Tool warranty is void if Panduit tools are modified, altered or misused in any way. Use of Panduit tooling with any product other than the specified Panduit products for which the tool was designed, constitutes misuse. Before using, user shall determine the suitability of the product for his intended use and user assumes all risk and liability whatsoever in connection therewith.

This warranty is made in lieu of and excludes all other warranties, expressed or implied. THE IMPLIED WARRANTIES OF MERCHANTABILITY AND FITNESS FOR A PARTICULAR USE ARE SPECIFICALLY EXCLUDED. Neither seller nor manufacturer shall be liable for any other injury, loss or damage whether direct or consequential, arising out of the use of, or the inability to use, the product.

The information contained in this literature is based on our experience to date and is believed to be reliable. It is intended as a guide for use by persons having technical skill at their own discretion and risk. We do not guarantee favorable results or assume any liability in connection with its use. Dimensions contained herein are for reference purposes only. For specific dimensional requirements consult the factory. This publication is not be taken as a license to operate under, or a recommendation to infringe any existing patents. This supersedes and voids all previous literature, etc.



WORLD HEADQUARTERS
PANDUIT CORP.
Tinley Park, Illinois, USA 60477-3091
Customer Service: 800-777-3300
Technical Support: 866-405-6654
Fax: 708-444-6993
Email: ncginfo@panduit.com
Internet: www.panduit.com/ncg

**For Pricing and Further Information —
Contact your local authorized
PANDUIT PAN-NET[®] Distributor or Sales Office**

PANDUIT CANADA
Markham, Ontario
Phone: 800-777-3300

PANDUIT EUROPE LTD.
London, UK
Phone: 44 208-601-7200

PANDUIT SINGAPORE PTE. LTD.
Republic of Singapore
Phone: (65) 379 6700

PANDUIT JAPAN
Tokyo, Japan
Phone (81) (3) 3767-7011

PANDUIT LATIN AMERICA
Jalisco, Mexico
Phone: (52) 3 666-2501

PANDUIT AUSTRALIA PTY. LTD.
Victoria, Australia
Phone: (61) 3-9794 9020