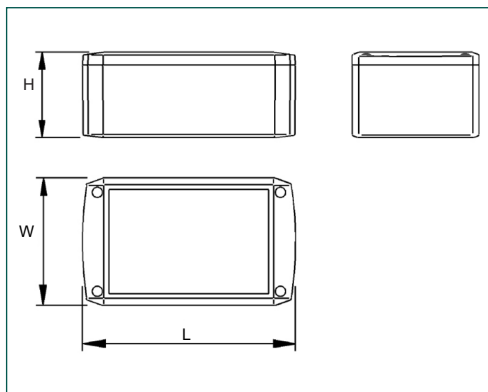


# 1100 series stylish ABS cases

## 1101 ABS LID

Aesthetically pleasing electronic enclosures with solid ABS lids, designed for a broad range of applications.

- Lid and base moulded in ABS- UL94-V0
- Lid mounted by four M3 machine screws
- Bevelled edges and curved side walls
- 1.2mm membrane keypad recesses in lid and base
- Polished finish for ease of cleaning and stylish appearance
- Deep profile for maximum internal volume
- Plastic standoffs in base for mounting of PCBs
- Excellent properties for machining
- 1100 series has been designed to meet the requirements of IP54



CSACST



### SPECIFICATION

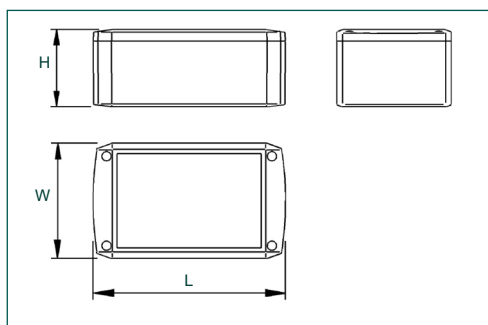
Materials	Lid and base high impact ABS-UL94-V0
Operating temperature	Resistant to temperatures between -5°C and 80°C
Protection class	1100 series has been designed to meet the requirements of IP54
Standard colours	Light grey similar to RAL 7035
Standard unit includes	Base and lid 4 x M3 machine screws

LIGHT GREY	LENGTH	WIDTH	HEIGHT
CSACST001	90mm	50mm	35mm
CSACST002	110mm	60mm	40mm
CSACST003	125mm	75mm	50mm
CSACST004	155mm	95mm	60mm
CSACST005	190mm	115mm	75mm
CSACST006	220mm	140mm	90mm

## 1102 TRANSPARENT LID

Electronic enclosures featuring a transparent lid, designed for applications that require visible electronics. High-impact polycarbonate smoked effect lid.

- Base moulded in ABS, UL94-V0
- Lid moulded in transparent, Polycarbonate, UL94-V0
- Lid mounted by four M3 machines screws
- Bevelled edges and curved side walls
- 1.2mm membrane keypad recesses in lid and base
- Polished finish for ease of cleaning and stylish appearance
- Deep profile for maximum internal volume
- Pillars in base for mounting of PCBs
- Excellent properties for machining
- 1100 series has been designed to meet the requirements of IP54



CSACTT



### SPECIFICATION

Materials	Lid high impact PC, UL94-V0 Base high impact ABS, UL94-V0
Operating temperature	Resistant to temperatures between -5°C and 80°C Lid resistant to temperatures up to 120°C
Protection class	IP54 1100 series has been designed to meet the requirements of IP54
Standard colours	Light grey similar to RAL 7035
Standard unit includes	Base and lid 4 x M3 machine screws

LIGHT GREY	LENGTH	WIDTH	HEIGHT
CSACTT001	90mm	50mm	35mm
CSACTT002	110mm	60mm	40mm
CSACTT003	125mm	75mm	50mm
CSACTT004	155mm	95mm	60mm
CSACTT005	190mm	115mm	75mm
CSACTT006	220mm	140mm	90mm