

# Type CSA-01

## PC Board Type Fuse Clip

### 1/4" Diameter Fuses with End Stops



www.optifuse.com

(619) 593-5050

#### Specifications:

Rating: 15A, 250V AC

Body Material: Spring Brass

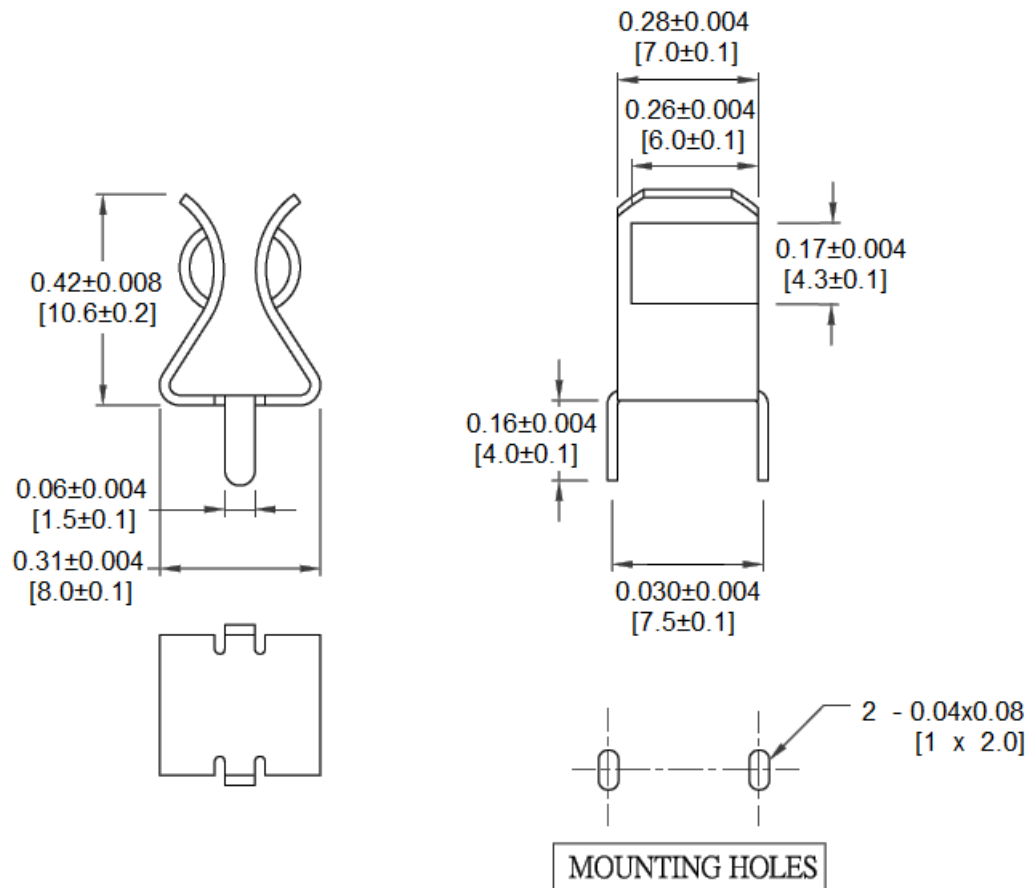
Finish: Bright Tin plated

(For **Matte Tin-plated** add **-CE** at end of part number... i.e. CSA-01-**CE**)

Fuse Clip with End Stops and Mounting pins

For use with 1/4" Diameter (6.3mm) Fuses

#### Mechanical Dimensions: Inches [mm]



#### Warning:



-Operation beyond the specified maximum ratings or improper use may result in damage and possible electrical arcing and/or flame.

-Avoid contact of device with chemical solvent. Prolonged contact may damage the device performance.

Note: All specifications subject to change without notice.

Rev C 12/2015 - Page: 1/1  
Code G02-01H