

RoHS Compliant

CS1102V

Surface Mount Tactile

Specifications

Electrical Ratings	50mA @ 50VDC
Electrical Life	100,000 cycles typical
Contact Resistance	<50mΩ initial
Actuation Force	100 ± 50gF 160 ± 50gF 260 ± 50gF

Dielectric Strength	250Vrms min
Insulation Resistance	>100MΩ min @ 500VDC
Operating Temperature	-40°C to 85°C
Storage Temperature	-40°C to 85°C

Materials

Actuator	Nylon 6T
Housing	Nylon 6T
Cover	Stainless Steel, Tin Plated
Contacts	Copper Alloy, Silver Plated
Terminals	Copper Alloy, Silver Plated

Ordering Information

1. Series	CS1102V	3.15	F160
CS1102V			
2. Actuator Length			
3.15 - 3.15mm			
3.85 - 3.85mm			
5.85 - 5.85mm			
6.85 - 6.85mm			
8.35 - 8.35mm			
9.85 - 9.85mm			
11.85 - 11.85mm			
3. Actuation Force			
F100 - 100gF			
F160 - 160gF			
F260 - 260gF			

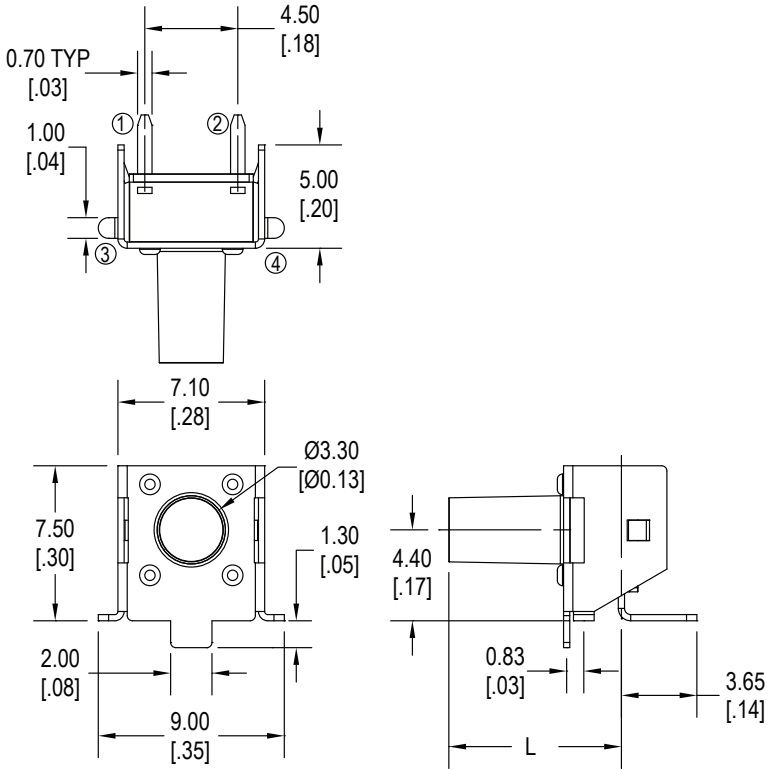
Standard Packaging

CS1102V3.15	600 pieces per reel
CS1102V3.85	600 pieces per reel
CS1102V5.85	500 pieces per reel
CS1102V6.85	500 pieces per reel
CS1102V8.35	500 pieces per reel
CS1102V9.85	450 pieces per reel
CS1102V11.85	450 pieces per reel

CS1102V

Surface Mount Tactile

Dimensions



Schematic & PC Layout

