

SPECIFICATIONS

Electrical Ratings	50mA @ 50VDC
Electrical Life	100,000 cycles typical
Contact Resistance	< 50 mΩ initial
Actuation Force	100 +/- 50gF 160 +/- 50gF 260 +/- 50gF
Actuator Travel	.25 +/- .1mm
Dielectric Strength	250Vrms min
Insulation Resistance	> 100MΩ min
Operating Temperature	-40°C to 85°C
Storage Temperature	-40°C to 85°C



MATERIALS ←RoHS COMPLIANT

Actuator	4/6 Nylon
Housing	4/6 Nylon
Cover	Stainless Steel
Contacts	Phosphor Bronze, Silver Plated
Terminals	Brass, Silver Plated

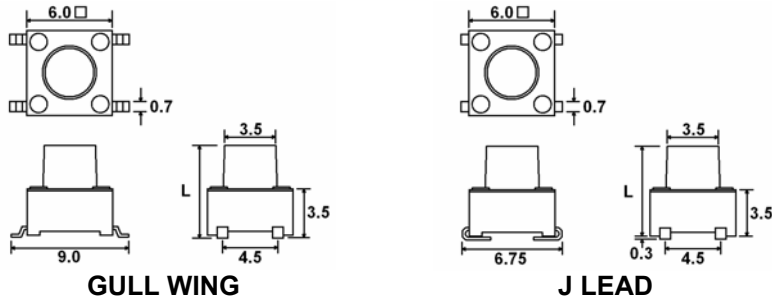
ORDERING INFORMATION

1. Series:	CS1102	9.5	F160
CS1102			
2. Actuator Length "L" (mm):			
4.3			
5.0			
7.0			
7.5			
8.0			
9.5			
S2.8 = 2.8mm square head			
S2.4 = 2.4mm square head			
3. Actuation Force:			
F100 = 100gF			
F160 = 160gF			
F260 = 260gF			
4. Terminal Options:			
Blank = Gull Wing			
J = J Lead			
5. Cap Options:	Cap Colors:		
Blank = No Cap	** See Cap Options for color availability		
C01	** Caps available with S2.8 actuator only		
C02			
C03			
C04			
C05			

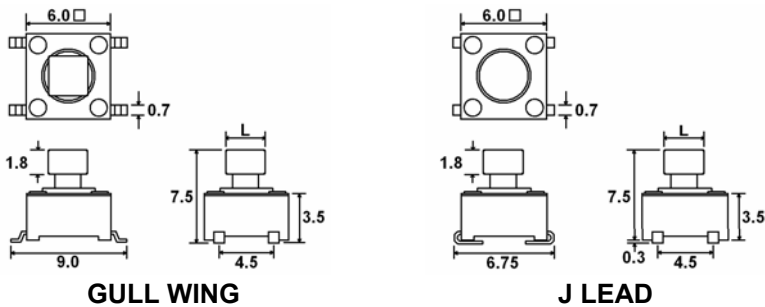
REEL SIZE:

Part Number	Quantity Per Reel	Part Number	Quantity Per Reel
CS11024.3	1,000	CS11028.0	500
CS11025.0	1,000	CS11029.5	400
CS11027.0	700	CS1102S2.4	700
CS11027.5	700	CS1102S2.8	700

DIMENSIONS

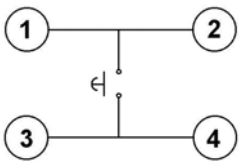


Part Number	"L" (mm)
CS11024.3	4.3
CS11025.0	5.0
CS11027.0	7.0
CS11027.5	7.5
CS11028.0	8.0
CS11029.5	9.5

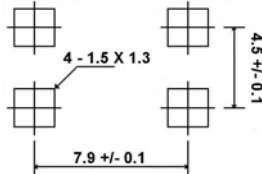


Part Number	"L" (mm)
CS1102S2.4	2.4
CS1102S2.8	2.8

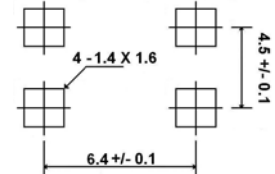
SCHEMATIC



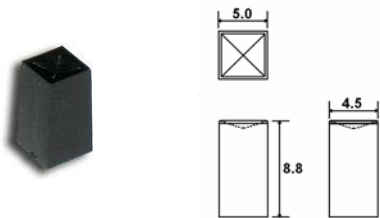
PC LAYOUT – GULL WING



PC LAYOUT – J LEAD

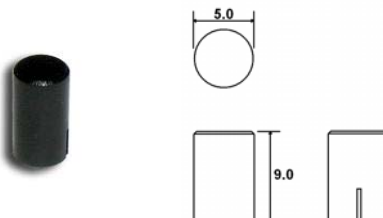


CAP OPTIONS ←FOR S2.8 ACTUATOR



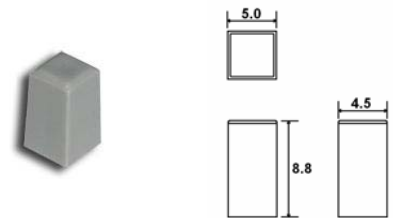
C01_

1 = White, 2 = Black, 3 = Red, 9 = Light Gray
 Contact Factory for other available colors



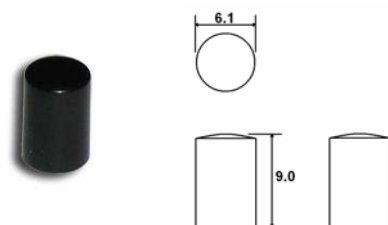
C02_

1 = White, 2 = Black, 3 = Red, 9 = Light Gray
 Contact Factory for other available colors



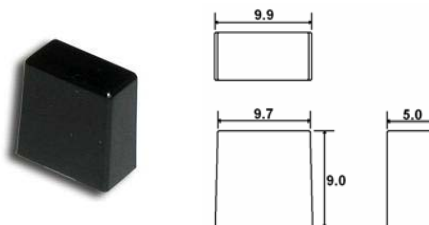
C03_

1 = White, 2 = Black, 3 = Red, 9 = Light Gray
 Contact Factory for other available colors



C04_

1 = White, 2 = Black, 3 = Red, 9 = Light Gray
 Contact Factory for other available colors



C05_

1 = White, 2 = Black, 3 = Red, 9 = Light Gray
 Contact Factory for other available colors