

Farnell

1441131	CR-BA-1C6-T18	KNOB, 15.7MM, BLACK, RED LINE
1441132	CR-BA-2C6-T18	KNOB, 15.7MM, BLACK, YELLOW LINE
1441133	CR-BA-3C6-T18	KNOB, 15.7MM, BLACK, BLUE LINE
1441134	CR-BA-4C6-T18	KNOB, 15.7MM, BLACK, GREEN LINE
1441135	CR-BA-7C6-T18	KNOB, 15.7MM, BLACK, WHITE LINE
1441136	CR-BA-1C6-180D	KNOB, 15.7MM, BLACK, RED LINE
1441137	CR-BA-2C6-180D	KNOB, 15.7MM, BLACK, YELLOW LINE
1441138	CR-BA-3C6-180D	KNOB, 15.7MM, BLACK, BLUE LINE
1441141	CR-BA-4C6-180D	KNOB, 15.7MM, BLACK, GREEN LINE
1441142	CR-BA-7C6-180D	KNOB, 15.7MM, BLACK, WHITE LINE
1441143	CR-BAB-C6-DE	KNOB, 15.7MM, BLACK, NO LINE

CR-BA-1C6-T18



CR-BA-3C6-T18



CR-BA-4C6-180D



CR-BA-7C6-180D

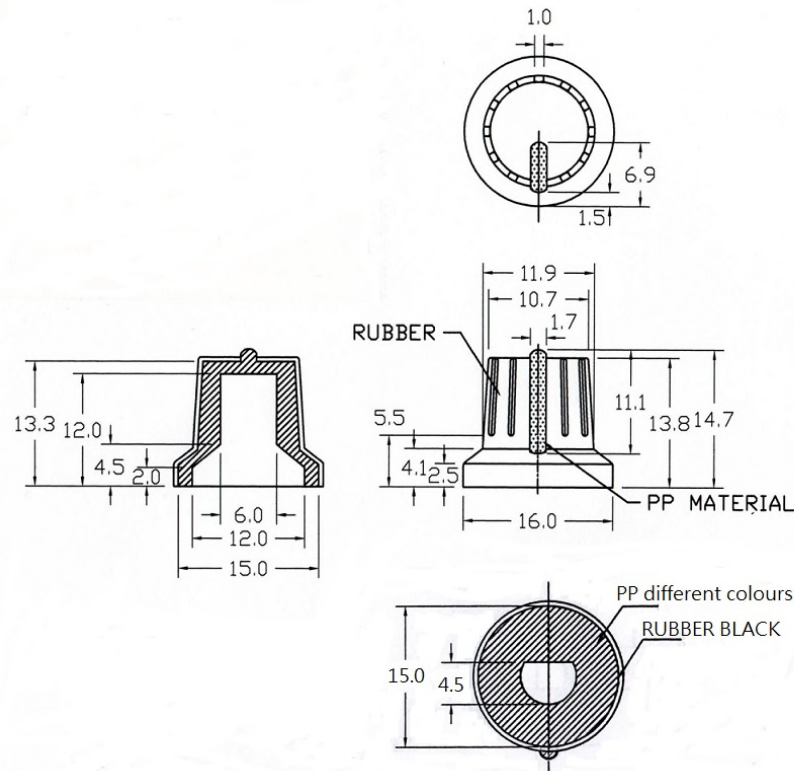


CR-BAB-6-D

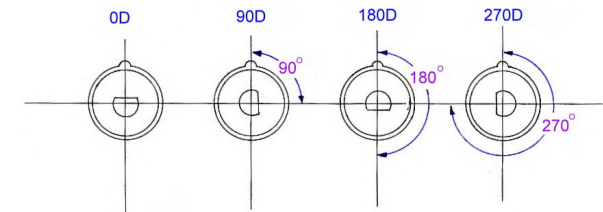


COLOUR NUMBER :

1	2	3	4	5
●	●	●	●	●
RED	YELLOW	BLUE	GREEN	GREY
6	7	8	9	91
●	●	●	●	●
BLACK	WHITE	ORANGE	PURPLE	CREAM



The bottom of the knob:



Material: PLASTIC
Tolerance: +/-0.20
Unit : mm

FARNELL P/N 1441136 ~ 1441142

CHIA SHIN P/N: CR-BA SERIES

Date: 3-Sep-15