



# Elite CR-33

## Miniature DC-22GHz SPDT Switch

### Latching

The CR-33 Switch is a broadband, SPDT, electromechanical, coaxial switch designed to switch a microwave signal from a common input to either of two outputs. The CR-33 Series has a higher operating Frequency and temperature range than the commercial CCR-33 series. The characteristic impedance is 50 Ohms. The switches are small with connector spacing compatible with SMA connectors.

The CR-33 series switch is offered with either a failsafe or latching actuator. This design is compatible with the two most common mounting hole patterns. The CR-33 series switch is interchangeable with a variety of switches.

#### Specifications

**RF Contacts:** Break before make

<b>Actuator</b>	Voltage (VDC) 20°C	12	15	28
	Current (mA)	140	115	65

**Switching Time:** 10 msec max

**Connectors:** SMA (f)

**Weight:** 1.65 oz. max

**Temperature Range:** -55°C to +85°C (Operating)

**Shock:** MIL-STD-202 Method 213, Condition D (500G Non Operating)

**Vibration:** MIL-STD-202 Method 214, Condition D (10G RMS Non Operating)

**Humidity:** Moisture Seal Available

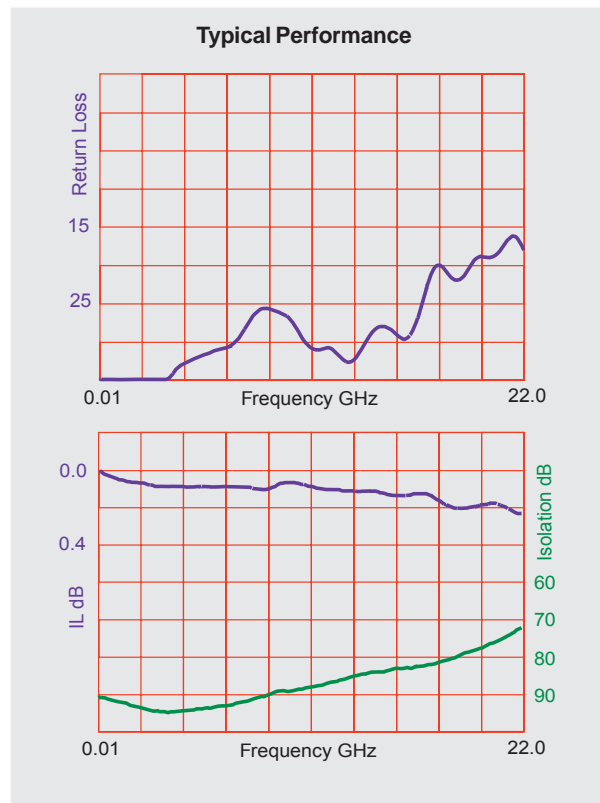
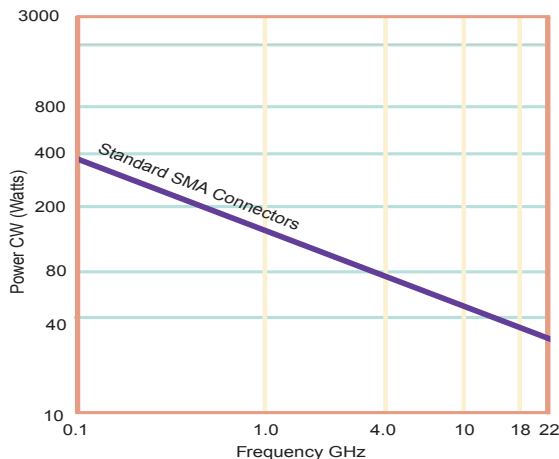
**Typical Contact Life:** 5 Million Cycles

#### RF Power Handling

**Insertion Loss Repeatability (1 Million Cycles):**

DC to 6 GHz: 0.05 dB

DC to 20 GHz: 0.1 dB



Specifications	DC-6 GHz	6-12 GHz	12-18 GHz	18-22 GHz
VSWR (max)	1.25:1	1.40:1	1.50:1	1.60:1
Insertion Loss (max)	0.20 dB	0.40 dB	0.50 dB	0.60 dB
Isolation (min)	70.0 dB	60.0 dB	60.0 dB	50.0 dB



Specifications subject to change without notice.

www.teledynecoax.com  
email: coax@teledyne.com

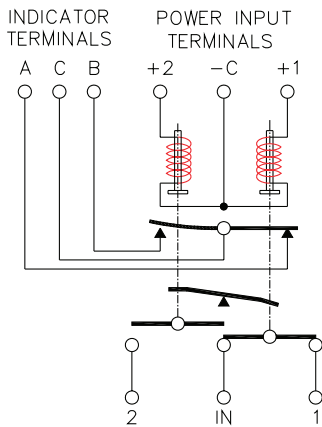
Tel: (800) 351-7368

10/2007

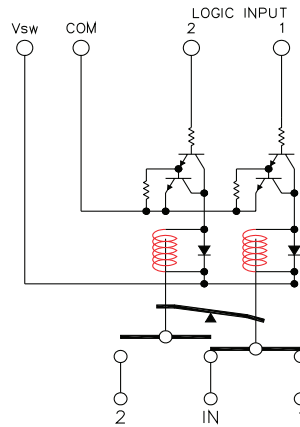
# Elite CR-33

## Miniature DC-22GHz SPDT Switch

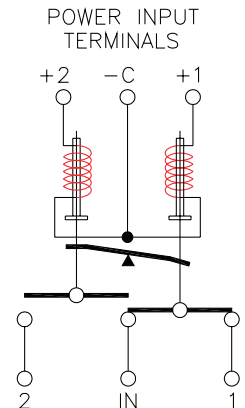
### Latching



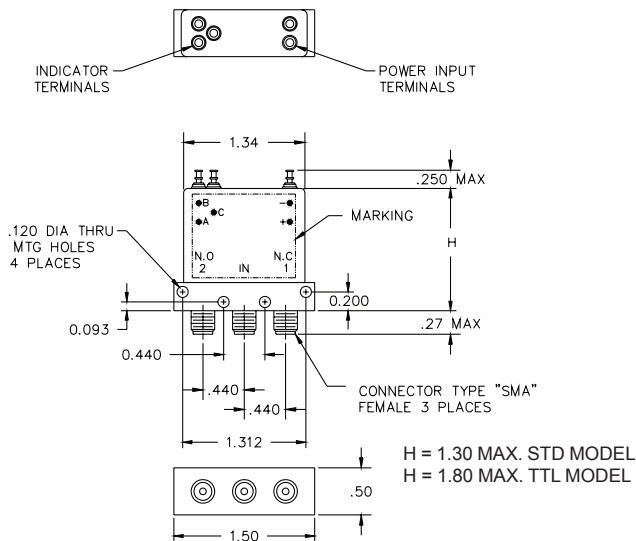
**Indicators**



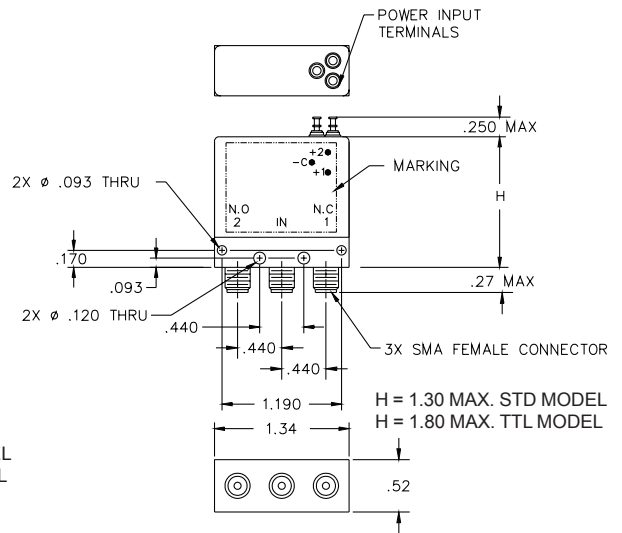
**TTL**



**Analog**

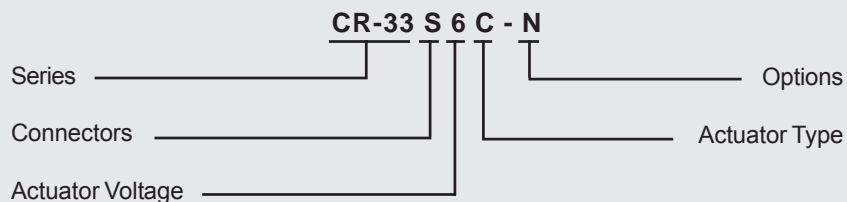


**Standard Width Body**



**Optional Narrow Width Body**

### Part Numbering System for CR-33 (Latching)



**Connector**  
S: SMA Female

**Actuator Voltage**  
6: 28Vdc Latching  
7: 15Vdc Latching  
8: 12Vdc Latching

**Actuator Type**  
O: No Indicator Contacts  
C: Indicator Contacts  
D: Self Cutoff Only  
E: Indicators and Self Cutoff

**Options**  
T: TTL Drivers with Diodes  
N: Narrow Body  
R: Positive + Common

For other options contact Factory



Specifications subject to change without notice.

www.teledynecoax.com  
email: coax@teledyne.com

Tel: (800) 351-7368  
10/2007