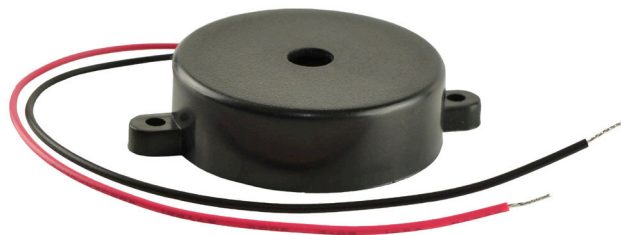


MODEL: CPT-3095C-300 | **DESCRIPTION:** PIEZO BUZZER TRANSDUCER**FEATURES**

- externally driven
- wire leads
- 86 dB SPL

**SPECIFICATIONS**

parameter	conditions/description	min	typ	max	units
operating voltage				30	Vp-p
current consumption	at 10 Vp-p, 2,500 Hz square wave			9	mA
rated frequency			2,500		Hz
sound pressure level	at 10 cm, 10 Vp-p, 2,500 Hz square wave	86			dB
electrostatic capacity	at 1,000 Hz/1 V	21,000	30,000	39,000	pF
dimensions	Ø30.0 x 9.5				mm
weight				4.3	g
material	ABS UL94 1/16" HB High Heat				
terminal	wire type				
operating temperature		-30		85	°C
storage temperature		-40		95	°C
RoHS	yes				

Notes: 1. All specifications measured at 5~35°C, humidity at 45~85%, under 86~106 kPa pressure, unless otherwise noted.

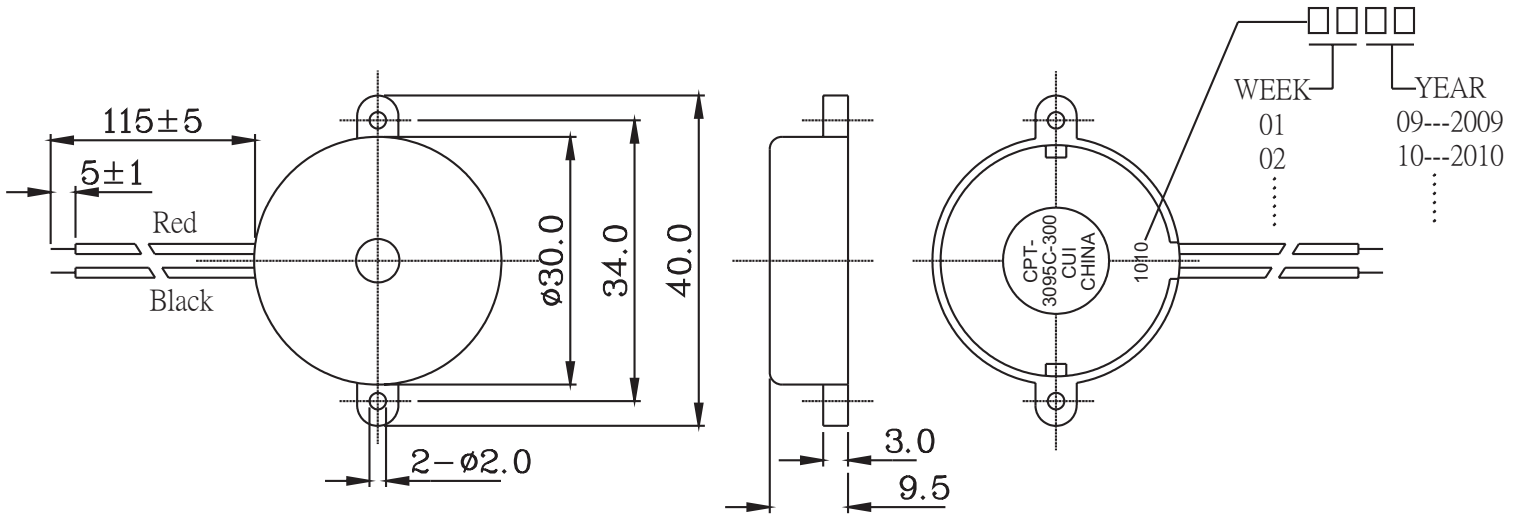
SOLDERABILITY

parameter	conditions/description	min	typ	max	units
hand soldering	for maximum 2 seconds	330		380	°C

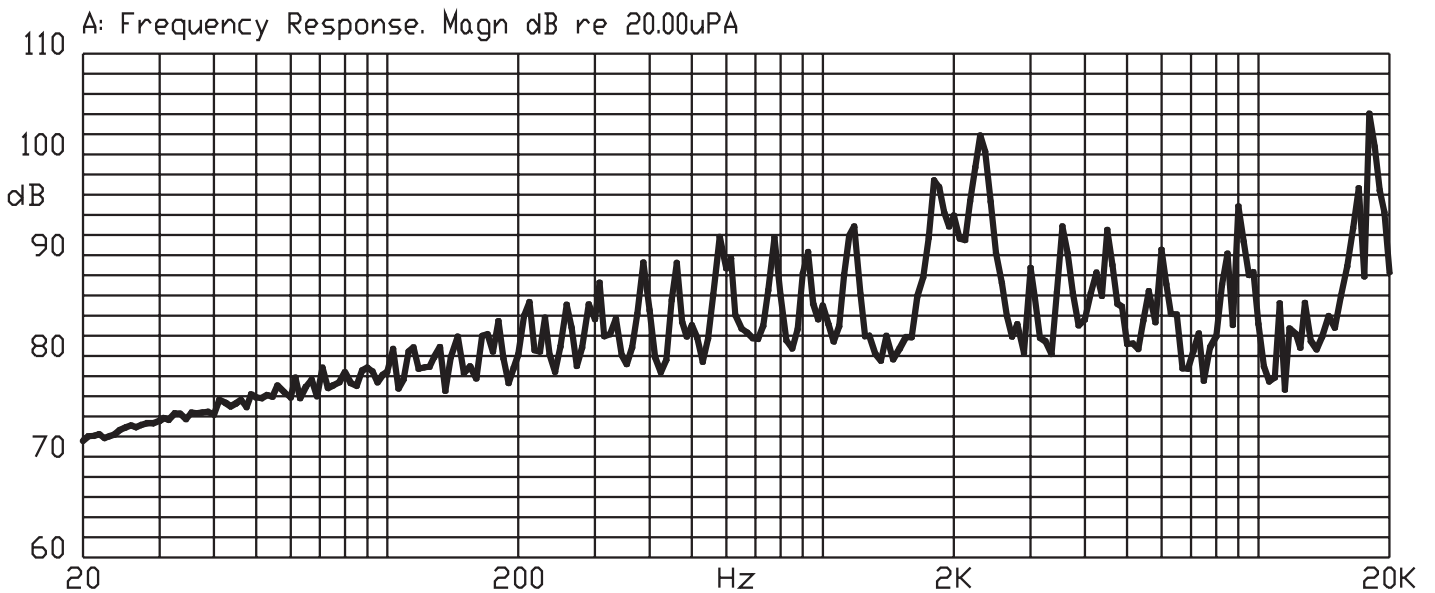
MECHANICAL DRAWING

units: mm
tolerance: ± 0.5 mm

wire: UL1095 LF 28 AWG



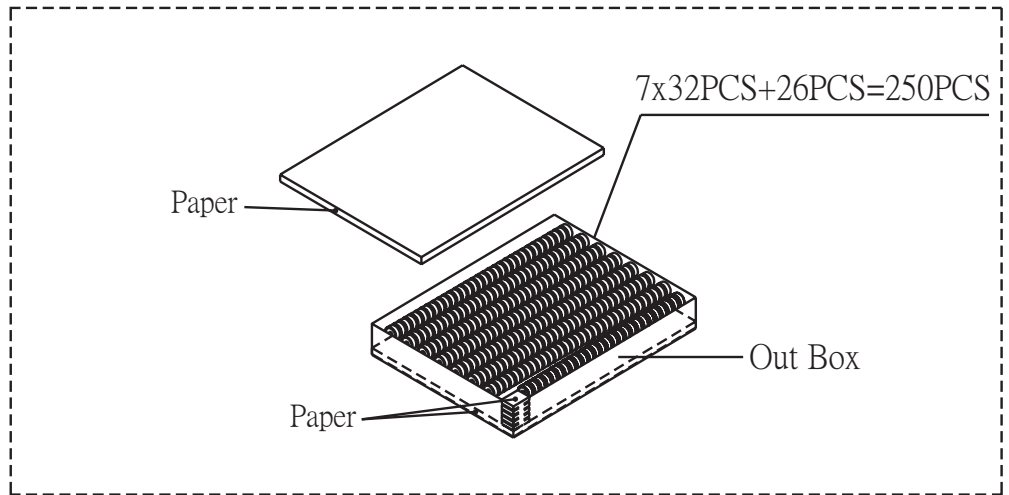
FREQUENCY RESPONSE CURVE



PACKAGING

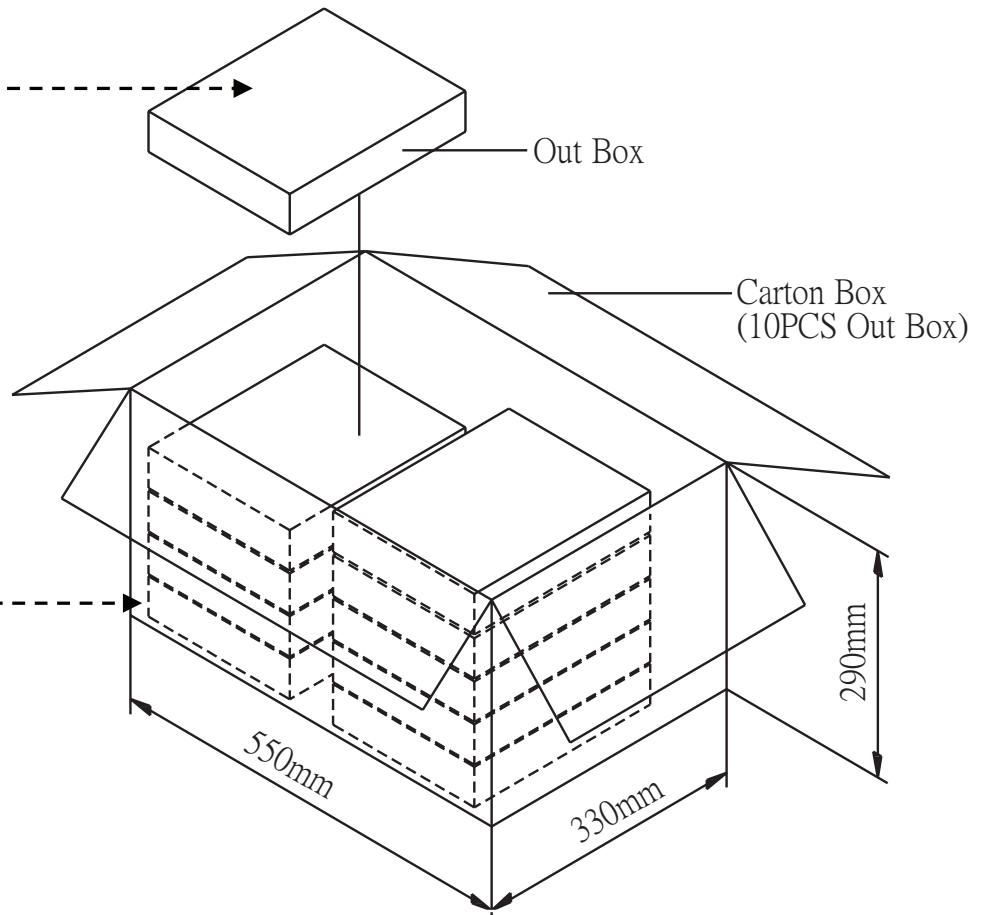
units: mm

Outer Box Size: 310 x 248 x 49 mm
 Carton Size: 550 x 330 x 290 mm
 Outer Box QTY: 250 pcs per outer box
 Carton QTY: 2,500 pcs per carton



Lot No.	XXXXXXXXXX
Model No.	XXXXXXXXXX
Quantity.	XXXX Pcs
Date:	DD MM YY
MADE IN CHINA	
CUI Inc	

The label is placed on the inner boxes and outer carton.



REVISION HISTORY

rev.	description	date
1.0	initial release	03/31/2016
1.01	brand update	12/05/2019

The revision history provided is for informational purposes only and is believed to be accurate.

CUI DEVICES

CUI Devices offers a one (1) year limited warranty. Complete warranty information is listed on our website.

CUI Devices reserves the right to make changes to the product at any time without notice. Information provided by CUI Devices is believed to be accurate and reliable. However, no responsibility is assumed by CUI Devices for its use, nor for any infringements of patents or other rights of third parties which may result from its use.

CUI Devices products are not authorized or warranted for use as critical components in equipment that requires an extremely high level of reliability. A critical component is any component of a life support device or system whose failure to perform can be reasonably expected to cause the failure of the life support device or system, or to affect its safety or effectiveness.