

MODEL: CPT-1495CI-300 | **DESCRIPTION:** PIEZO BUZZER TRANSDUCER**FEATURES**

- externally driven
- wave solderable
- IP67 rated

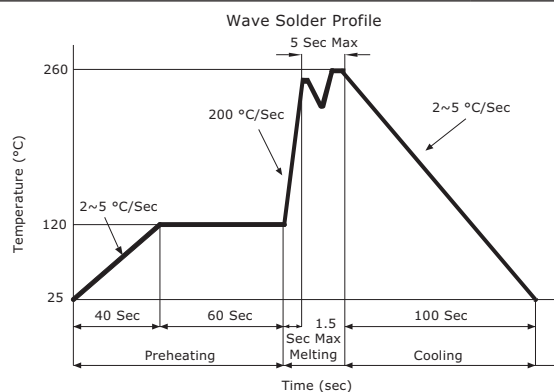
**SPECIFICATIONS**

parameter	conditions/description	min	typ	max	units
operating voltage				30	Vp-p
current consumption	at 10 Vp-p, 4,250 Hz square wave			12	mA
rated frequency			4,250		Hz
sound pressure level	at 10 cm, 10 Vp-p, 4,250 Hz square wave	84			dB
electrostatic capacity	at 1,000 Hz/1 V	14,000	20,000	26,000	pF
dimensions	Ø14.0 x 10.0				mm
weight				2.60	g
material	PBT+15% Glass				
terminal	pin type (Au plating)				
operating temperature		-30		85	°C
storage temperature		-40		95	°C
RoHS	yes				
IP level	IP67 (IEC standard 529 edition 2.0 (1989))				

Notes: 1. All specifications measured at 5~35°C, humidity at 45~85%, under 86~106 kPa pressure, unless otherwise noted.

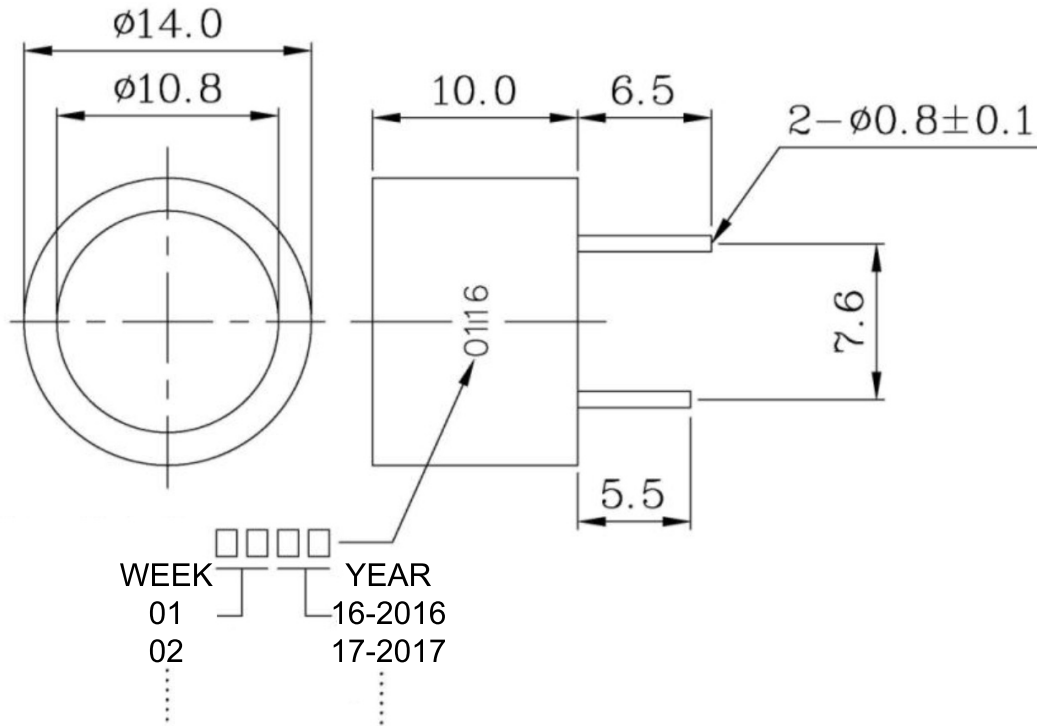
SOLDERABILITY

parameter	conditions/description	min	typ	max	units
hand soldering	for maximum 5 seconds	330		380	°C
wave soldering	see recommended wave soldering profile			260	°C



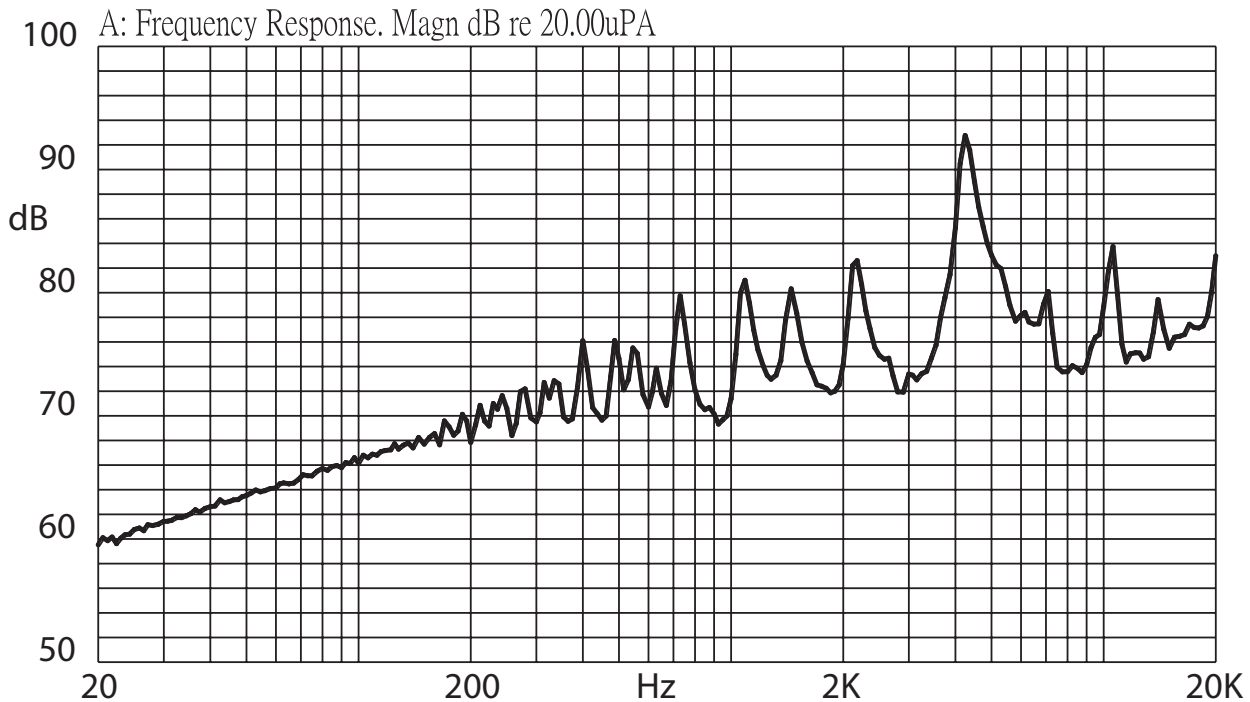
MECHANICAL DRAWING

units: mm
tolerance: ± 0.5 mm



Note 1. Part is designed as a sealed transducer to protect inner structure.

FREQUENCY RESPONSE CURVE



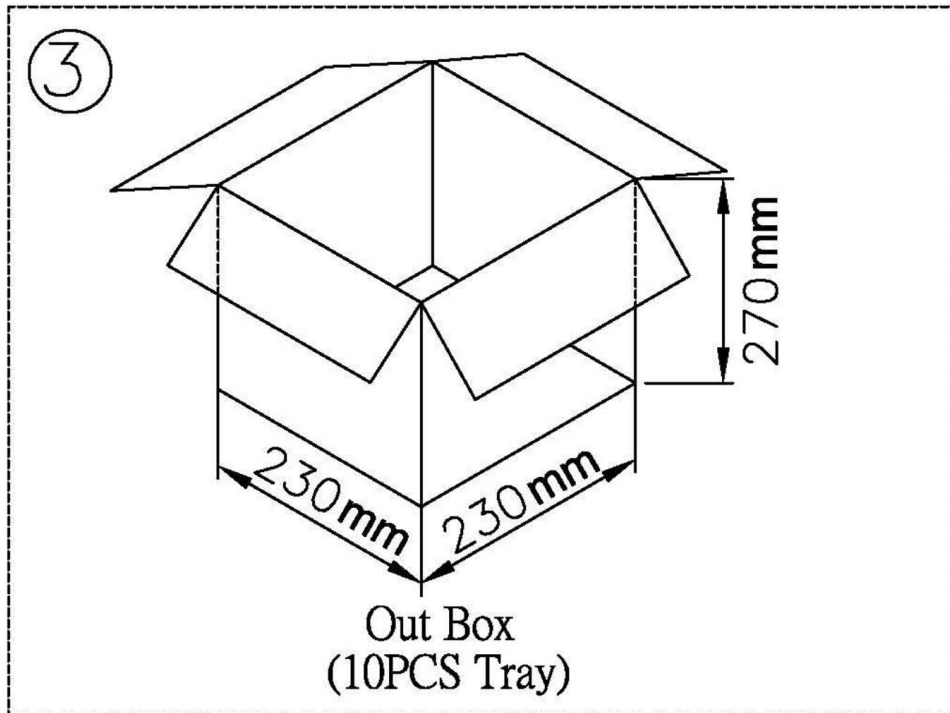
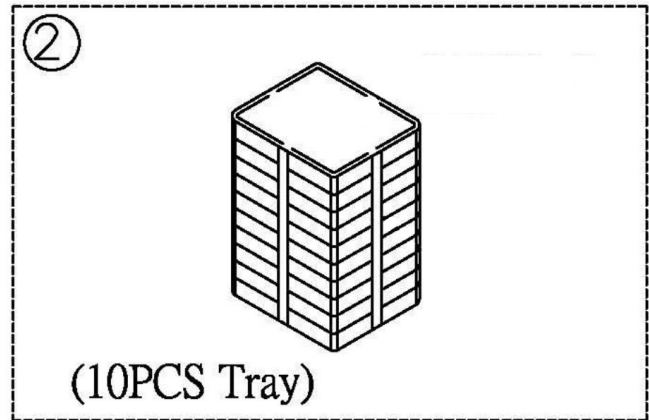
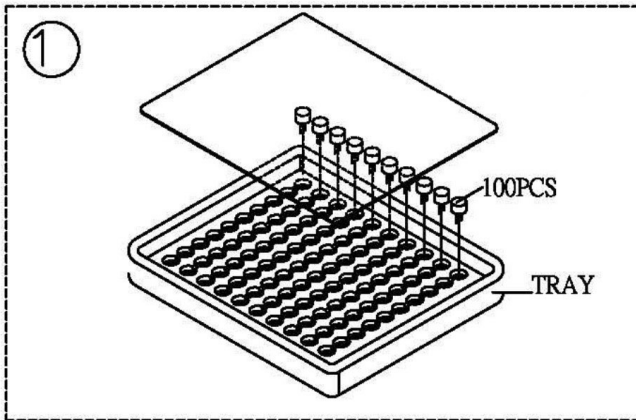
PACKAGING

units: mm

Carton Size: 230 x 230 x 270 mm

Tray QTY: 100 pcs per tray

Carton QTY: 1,000 pcs per carton



Lot No.	XXXXXXXXXX
Model No.	XXXXXXXXXX XXXXXXXXXX
Quantity.	XXXX Pcs
Date:	DD MM YY
RoHs Compliant	
MADE IN CHINA	
CUI Inc	

REVISION HISTORY

rev.	description	date
1.0	initial release	03/30/2016
1.01	brand update	11/22/2019

The revision history provided is for informational purposes only and is believed to be accurate.

CUI DEVICES

CUI Devices offers a one (1) year limited warranty. Complete warranty information is listed on our website.

CUI Devices reserves the right to make changes to the product at any time without notice. Information provided by CUI Devices is believed to be accurate and reliable. However, no responsibility is assumed by CUI Devices for its use, nor for any infringements of patents or other rights of third parties which may result from its use.

CUI Devices products are not authorized or warranted for use as critical components in equipment that requires an extremely high level of reliability. A critical component is any component of a life support device or system whose failure to perform can be reasonably expected to cause the failure of the life support device or system, or to affect its safety or effectiveness.