

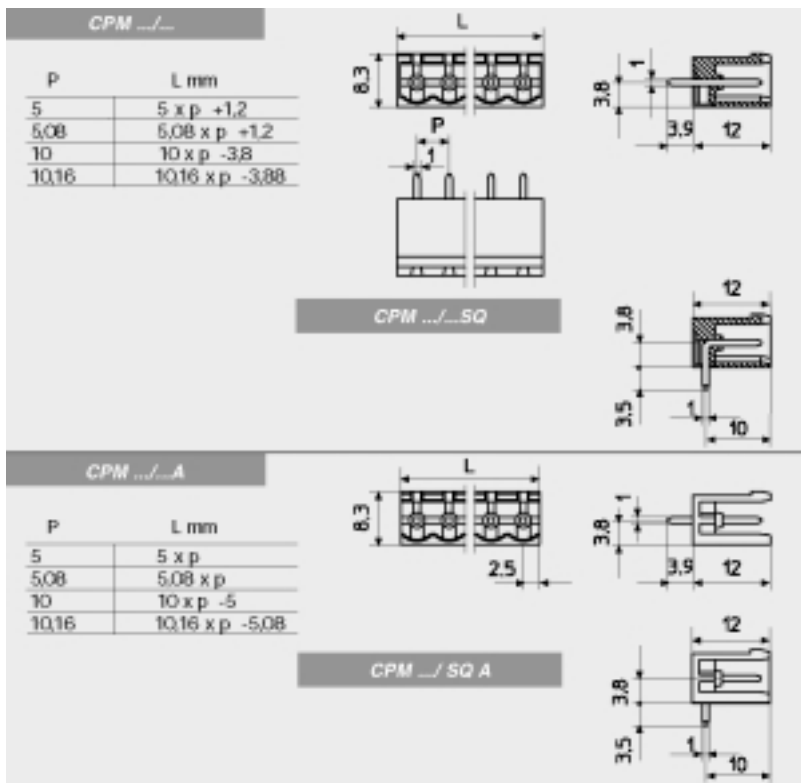
Standard Pluggable PCB Terminal Block Header

The CPM family of printed circuit board headers is used with the CPF and MRT3 pluggable terminal blocks. The CPM is available in both a vertical and 90 degree version and with either open or closed ends. A feature of the CPM header is the molded-in polarization that insures proper mating of the plug. The CPM headers are available in 2 to 24 positions and have a UL rating of 12 amps, 300 volts. The standard color is green, however other colors are available upon request.



SPECIFICATIONS

Housing Material:	PA68 Polyamide, Flammable UL94V0
Housing Color:	Green
Screw:	Zinc Plated Steel
Clamp:	Nickel Plated Brass
Pin:	Tin Plated Brass
P.C.B. mounting hole:	1.6mm
Nominal current:	12 A
Voltage:	300 V
Temperature Range:	-30° C to 85° C



Catalog #	No. of Positions	Length (mm)
CPM5-2	2	11.2
CPM5-3	3	16.2
CPM5-4	4	21.2
CPM5-5	5	26.2
CPM5-6	6	31.2
CPM5-7	7	36.2
CPM5-8	8	41.2
CPM5-9	9	46.2
CPM5-10	10	51.2
CPM5-11	11	56.2
CPM5-12	12	61.2
CPM5-13	13	66.2
CPM5-14	14	71.2
CPM5-15	15	76.2
CPM5-16	16	81.2
CPM5-17	17	86.2
CPM5-18	18	91.2
CPM5-19	19	96.2
CPM5-20	20	101.2
CPM5-21	21	106.2
CPM5-22	22	111.2
CPM5-23	23	116.2
CPM5-24	24	121.2

To locate additional product specifications and technical drawings go to www.asi-ez.com