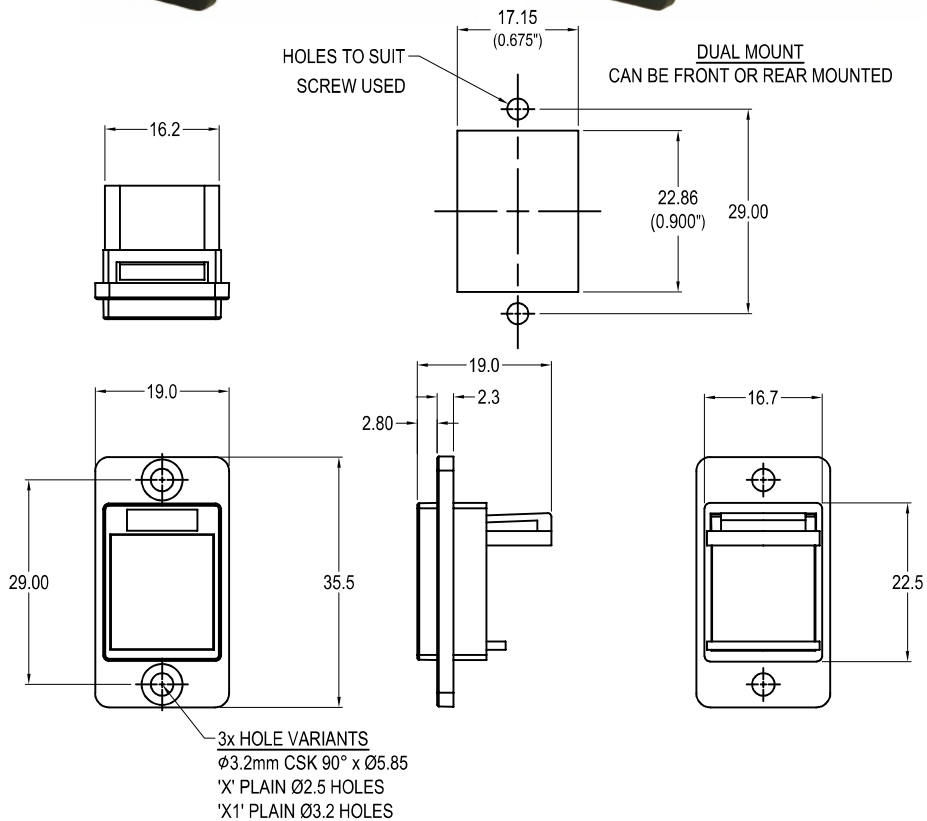
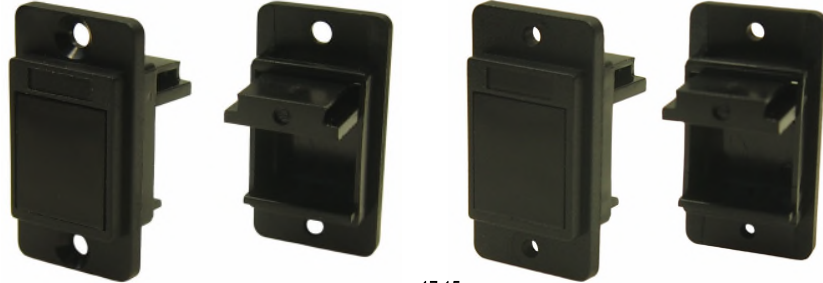


CLIFF

DUALSLIM BLANK FEEDTHROUGH CONNECTOR

Can be front or rear mounted in the panel



Part No.

CP30741

DUALSLIM Blanking Plate Black plastic frame, CSK holes

CP30741X

DUALSLIM Blanking Plate Black plastic frame, Ø2.5 PLAIN holes

CP30741X1

DUALSLIM Blanking Plate Black plastic frame, Ø3.2 PLAIN holes

Feedthrough Features

- Fits standard rectangular cutout.
- Various hole mounting options.
- No soldering or punch termination. Use standard cable for each connector style.
- Low rear profile.

Material:

1. Insert: ABS
2. Plastic Frame: Polyamide UL94 V-2

General:

Please note: Functionality is affected by cable quality, length and cable wiring configuration.

For further information, contact sales@cliffuk.co.uk

© CLIFF 11/2020 ISS.1

Cliff Electronic Components Limited,
76 Holmethorpe Avenue, Holmethorpe Ind. Estate,
Redhill, Surrey RH1 2PF U.K.
Tel: +44 (0)1737 771375 Fax: +44 (0)1737 766012



www.cliffuk.co.uk