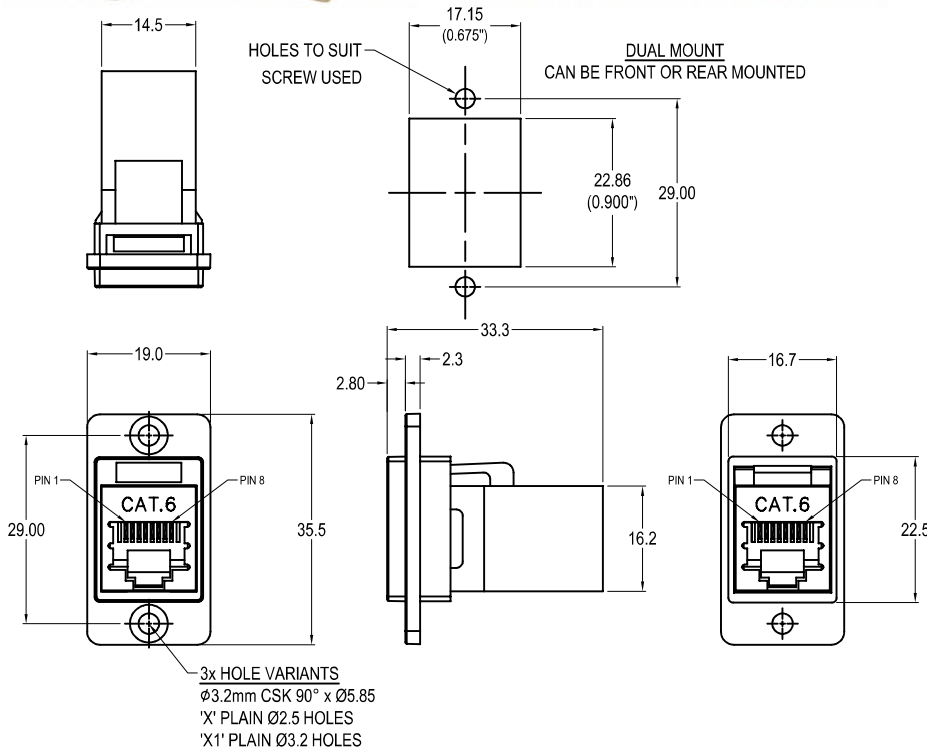


CLIFF

DUALSLIM CAT.6 RJ45 SHIELDED FEEDTHROUGH CONNECTOR

Can be front or rear mounted in the panel



Part No.

CP30722S

DUALSLIM Cat.6 RJ45 Shielded Black plastic frame, CSK holes

CP30722SX

DUALSLIM Cat.6 RJ45 Shielded Black plastic frame, Ø2.5 PLAIN holes

CP30722SX1

DUALSLIM Cat.6 RJ45 Shielded Black plastic frame, Ø3.2 PLAIN holes

Feedthrough Features

- Fits standard rectangular cutout.
- Front or rear mounting through the panel.
- Various hole mounting options.
- No soldering or punch termination. Use standard cable for each connector style.
- Low rear profile.

General:

Please note: Functionality is affected by cable quality, length and cable wiring configuration.

Material:

1. RJ45 In-Line Coupler:
ABS, UL 94V-0, Black colour, Fully Shielded
2. RJ45 In-Line Coupler Contact:
Phosphor Bronze, 3-50 micro inches gold plating over nickel plate.
3. PCB: FR4, UL 94V-0
4. Plastic Frame: Polyamide UL94 V-2

Performance:

1. T568A & T568B wiring.
2. Meet ISO/IEC 11801 and EN50173
3. Meet ANSI/TIA/EIA 568B.2
4. Operating temperature: Min -10°C Max +70°C