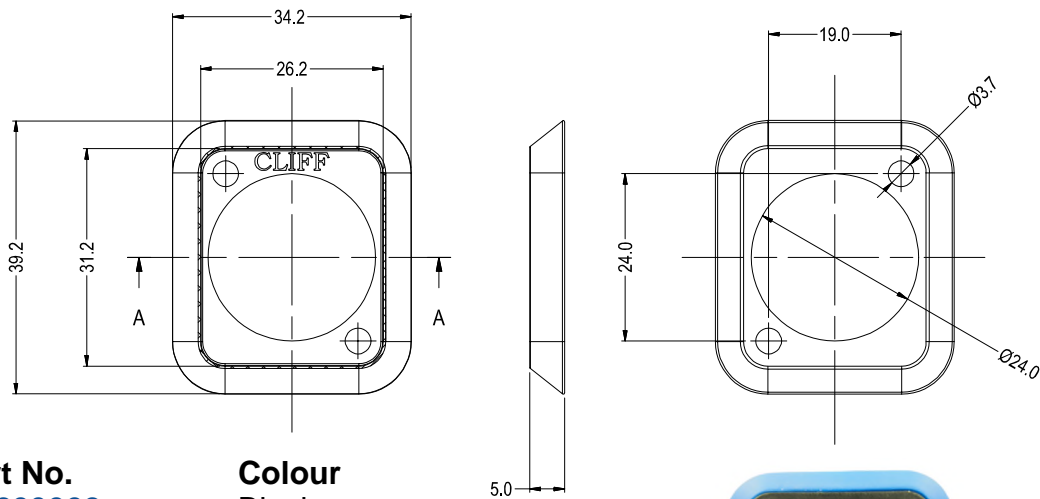


CLIFF

SEALING GASKET



These rubber gaskets are used as dust seals and for colour identification. They can be used with or without brass spacers (supplied). Using spacers can improve sealing function. The gaskets fit various models of our XLR family and Cliffcon® range. Available in 7 standard colours. Custom colours subject to minimum order quantities.



Part No.	Colour
CP299902	Black
CP299903	White
CP299904	Grey
CP299905	Green
CP299906	Yellow
CP299907	Red
CP299908	Blue

