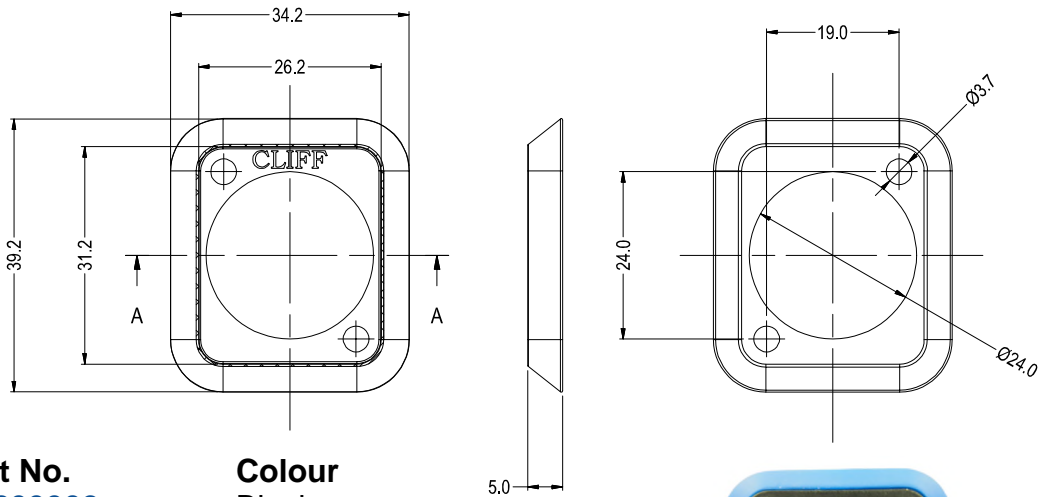


# CLIFF

## SEALING GASKET



These rubber gaskets are used as dust seals and for colour identification. They can be used with or without brass spacers (supplied). Using spacers can improve sealing function. The gaskets fit various models of our XLR family and Cliffcon® range. Available in 7 standard colours. Custom colours subject to minimum order quantities.



**Part No.**

CP299902  
CP299903  
CP299904  
CP299905  
CP299906  
CP299907  
CP299908

**Colour**

Black  
White  
Grey  
Green  
Yellow  
Red  
Blue

