

● FEATURES

- STANDARD 8 AND 14 PIN DIP PACKAGE
- TOLERANCE AND STABILITY TO ± 25 PPM
- LOW COST
- AVAILABLE IN 3.3 VOLT

● SPECIFICATIONS

SERIES		CO1	CO13		
PACKAGE		14 PIN DIP	8 PIN DIP		
FREQUENCY RANGE		500.00 KHz TO 125.00 MHz	500.00 KHz TO 125.00 MHz		
FREQUENCY STABILITY†		CO1100 : ± 100 ppm	CO13100 : ± 100 ppm		
		CO1050 : ± 50 ppm	CO13050 : ± 50 ppm		
		CO1025 : ± 25 ppm	CO13025 : ± 25 ppm		
OPERATING TEMPERATURE RANGE		0° C TO +70° C STANDARD -40° C TO +85° C EXTENDED	0° C TO +70° C STANDARD -40° C TO +85° C EXTENDED		
STORAGE TEMPERATURE RANGE		-55° C TO +125° C	-55° C TO +125° C		
INPUT		VOLTAGE††			
		+5 VDC ± 0.5 VDC			
		CURRENT (MAX)			
				500.00 KHz TO 2.999 MHz: 30 mA	500.00 KHz TO 2.999 MHz: 30 mA
				3.00 MHz TO 31.999 MHz: 50 mA	3.00 MHz TO 31.999 MHz: 50 mA
32.00 MHz TO 79.999 MHz: 70 mA	32.00 MHz TO 79.999 MHz: 70 mA				
80.00 MHz TO 125.00 MHz: 80 mA	80.00 MHz TO 125.00 MHz: 80 mA				
OUTPUT		SYMMETRY (AT 1.4 VDC LEVEL)			
		40 TO 60% NORMAL 45 TO 55% TIGHT			
		UNDER 9 MHz : ± 15 ns MAX		UNDER 9 MHz : ± 15 ns MAX	
		RISE AND FALL TIME (0.4 - 2.4 VDC)			
				9 MHz TO 32 MHz : ± 10 ns MAX	9 MHz TO 32 MHz : ± 10 ns MAX
				32 MHz TO 80 MHz : ± 6 ns MAX	32 MHz TO 80 MHz : ± 6 ns MAX
		80 MHz TO 125 MHz : ± 4 ns MAX	80 MHz TO 125 MHz : ± 4 ns MAX		
LOGIC "0" LEVEL		+0.5 V MAX, SINK TO 16 mA	+0.5 V MAX, SINK TO 16 mA		
LOGIC "1" LEVEL		+2.4 V MIN, SOURCE 0.4 mA	+2.4 V MIN, SOURCE 0.4 mA		
LOAD†††		1 TO 10 TTL STANDARD	1 TO 10 TTL STANDARD		

† FREQUENCY STABILITY INCLUSIVE OF ROOM TOLERANCE, FREQUENCY STABILITY OVER TEMPERATURE, 10% POWER SUPPLY VARIATION, AGING, SHOCK, AND VIBRATION

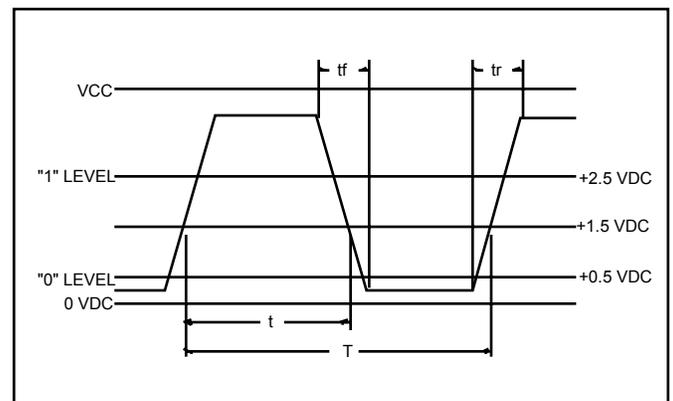
†† +3.3 VOLT VERSION IS AVAILABLE. CONSULT RAMI FOR SPECIFICATIONS

††† OUTPUT LOADS ALSO AVAILABLE AT 15 pF, 30 pF AND 50 pF. CONSULT RAMI FOR SPECIFICATIONS

● ENVIRONMENTAL AND TECHNICAL CONDITIONS

ENVIRONMENTAL	
TEMPERATURE CYCLE	MIL-STD 883, METHOD 1010, 10 CYCLES -20° C TO 85° C
SHOCK	MIL-STD-202, METHOD 213, TEST CONDITION C
VIBRATION	MIL-STD-202, METHOD 204, TEST CONDITION A
RESISTANCE TO SOLDERING HEAT	MIL-STD-202, METHOD 210, TEST CONDITION B
HUMIDITY	85% RELATIVE HUMIDITY AT 85° C 250 HOURS
MECHANICAL	
GROSS LEAK TEST	MIL-STD-883, METHOD 1014, TEST CONDITION C
FINE LEAK TEST	MIL-STD-883, METHOD 1014, TEST CONDITION A
TERMINAL STRENGTH	MIL-STD-202, METHOD 211, TEST CONDITION A AND C
MARKING INK	EPOXY, HEAT CURED.
MOISTURE RESISTANCE	MIL-STD 202, METHOD 106, OMIT STEP 7B
SOLDERABILITY	MIL-STD-202, METHOD 208, 95% COVERAGE
SOLVENT RESISTANCE	MIL-STD-202, METHOD 2002, METHOD 215

● OUTPUT WAVEFORM



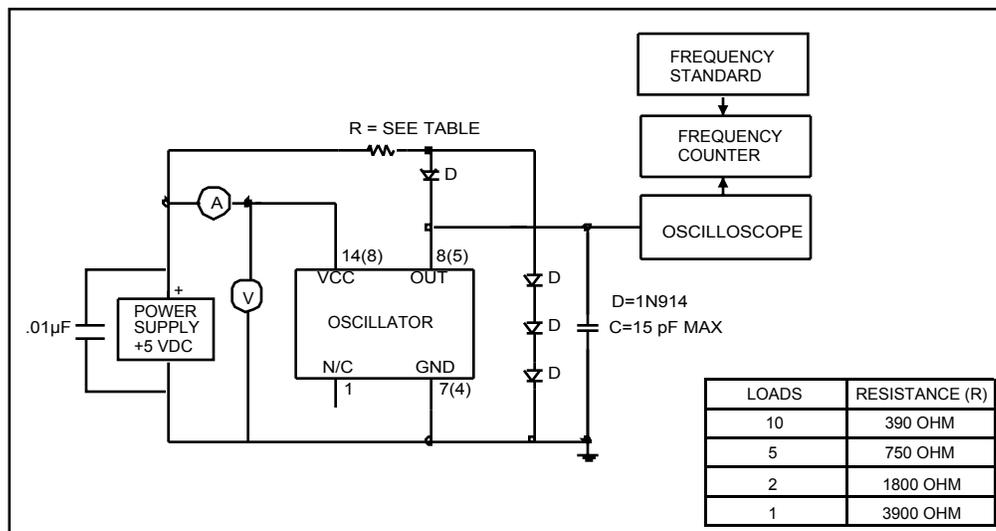
● PART NUMBERING SYSTEM

SERIES		FREQUENCY STABILITY		FREQUENCY	EXTENDED TEMPERATURE	SYMMETRY	OPTIONS	
CO1	(14 PIN DIP)	100	± 100 PPM	IN MHz	EXT	T TIGHT SYMMETRY	TR	TAPE AND REEL *
CO13	(8 PIN DIP)	050	± 50 PPM				GW	GULL WING
		025	± 25 PPM				3.3	+3.3 V

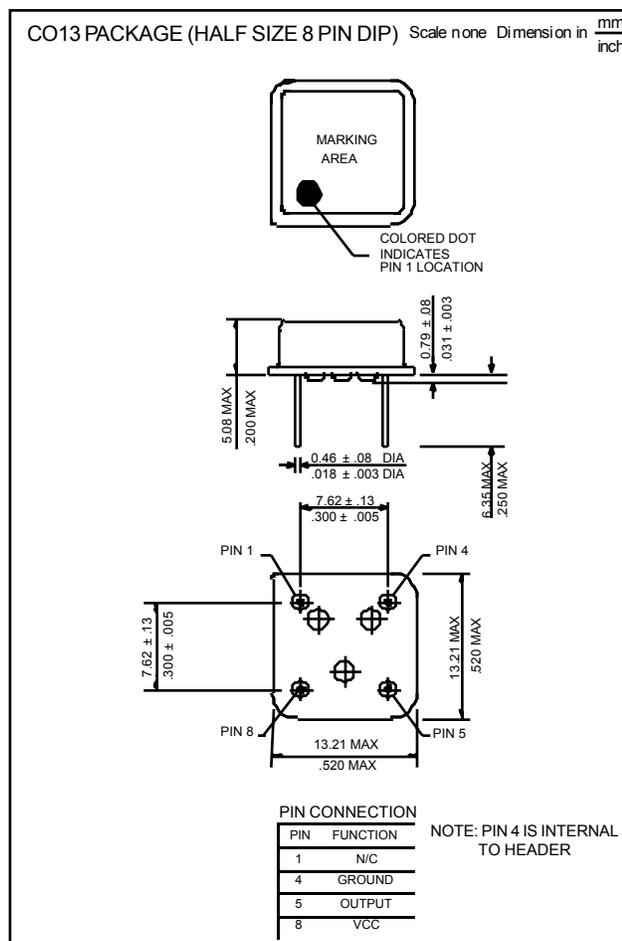
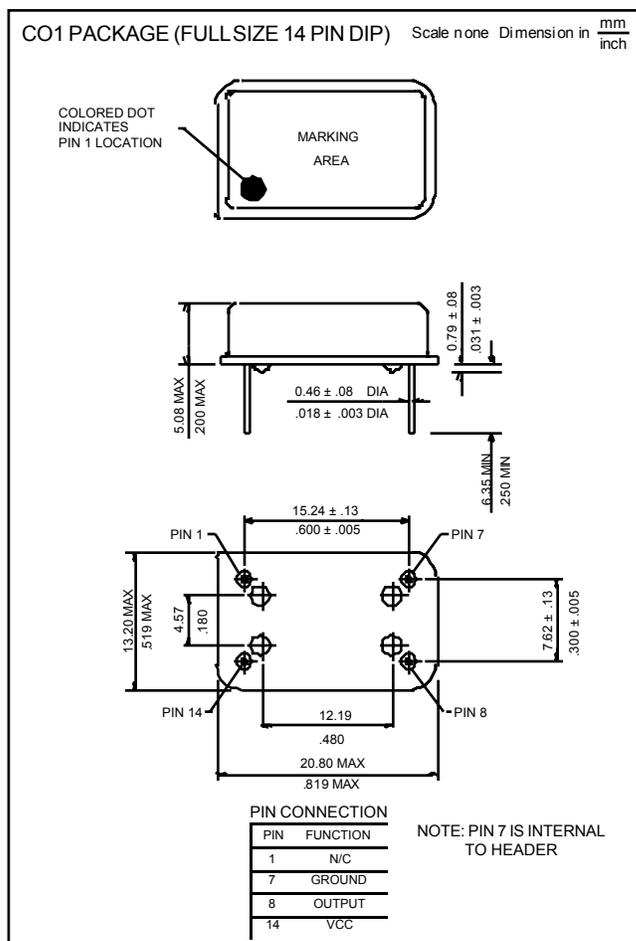
EXAMPLE: CO1100-20.000-EXT-T, CO13050-32.000-T-TR

* Available for Gull Wing only

● TEST CIRCUIT



● OUTLINE DRAWINGS



● PACKAGING

14 PIN DIP: 25 PIECES PER ELECTROSTATIC TUBE
8 PIN DIP: 40 PIECES PER ELECTROSTATIC TUBE