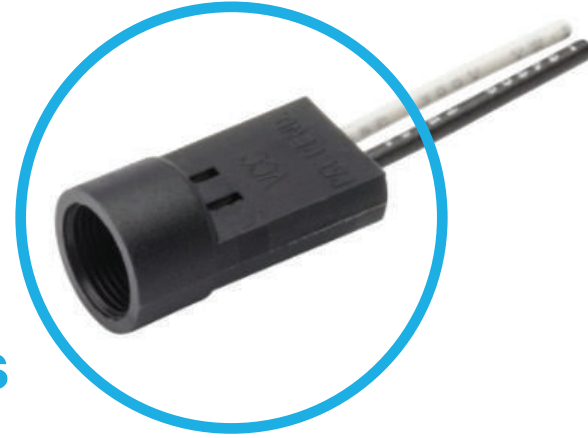




# CNX C Series

## Build Your Own Indicator

### For use with T-1 3/4 (5mm) LEDs



CNX C Series features modular panel mount indicator assemblies and mounting hardware and require no tools for assembly.

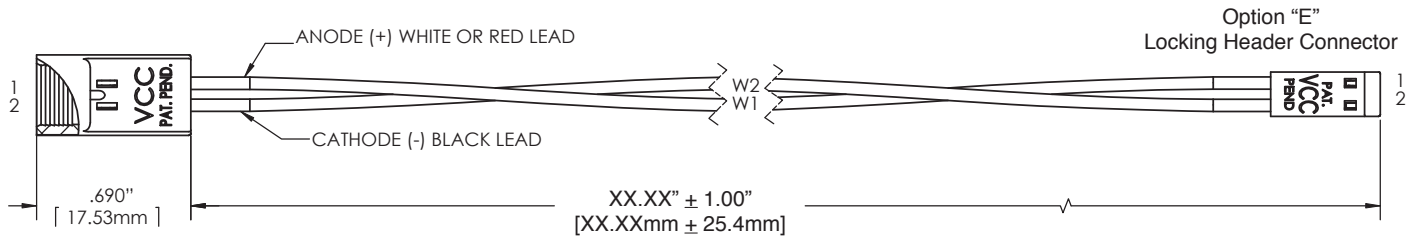
#### Applications

- Industrial
- Transportation
- People Movers
- Automation and Control
- Maritime, Oil and Gas Industry
- Safety and Emergency Applications
- Slot, Gaming and Vending Machines
- Outdoor Applications

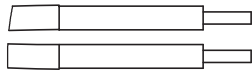
#### Key Features

- For panel hole diameter: 0.28" (7.14mm)
- Choice of 4 different types of lenses
- Terminations available: Stripped end, Single Row Locking Header or Single Row Plain Header
- Eliminates the need for soldering or crimping wires to fragile LED leads and deliver superior stability when subjected to forces of 2Gs, 4Gs and 6Gs from 0 to 2000 Hz
- Available in 6 standard wire lengths, from 4 to 24 inches
- Choice of 2 different wires colors: Black/White or Red/Black
- Standard wire gauge: 24 AWG
- Panel thickness ranges from 0.030" (0.762 mm) to 0.125" (3.175mm). Refer to Product Specifications for Technical Details
- 5mm LED, Lens, Clip and Spacer needs to be order separately
- Panel Clip CMC\_285 is optional and designed to secure and center the LED into the panel
- Spacer SPC\_060 made of EPDM rubber is optional and designed to seal against water, oil, air and dust
- For additional options please contact our Technical Sales Department
- RoHS and REACH Compliant

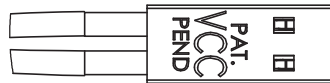
## Product Dimensions



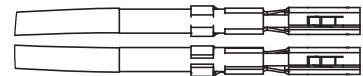
TOLERANCES UNLESS OTHERWISE SPECIFIED:  
±0.005" (±0.10mm)



Option "X"  
Stripped End - No Connector



Option "G"  
Plain Header Connector



Option "A"  
with Terminals; No Connector

## Accessories (Order Separately)

LED Through Hole



LED 5mm

Spacer SPC



SPC\_060

Clip CMC 285 Series



CMC\_285\_BLK

CMC\_285\_BLK (Black)  
CMC\_285\_CTP (Clear)

CMC 313 Series



CMC\_313\_BTP

CMC\_313\_ATP  
CMC\_313\_BTP  
CMC\_313\_CTP  
CMC\_313\_GTP  
CMC\_313\_RTP  
CMC\_313\_YTP

CMC 321 Series



CMC\_321\_ATP

CMC\_321\_ATP  
CMC\_321\_BTP  
CMC\_321\_CTP  
CMC\_321\_GTP  
CMC\_321\_RTP  
CMC\_321\_YTP

CMC 323 Series



CMC\_323\_CTP

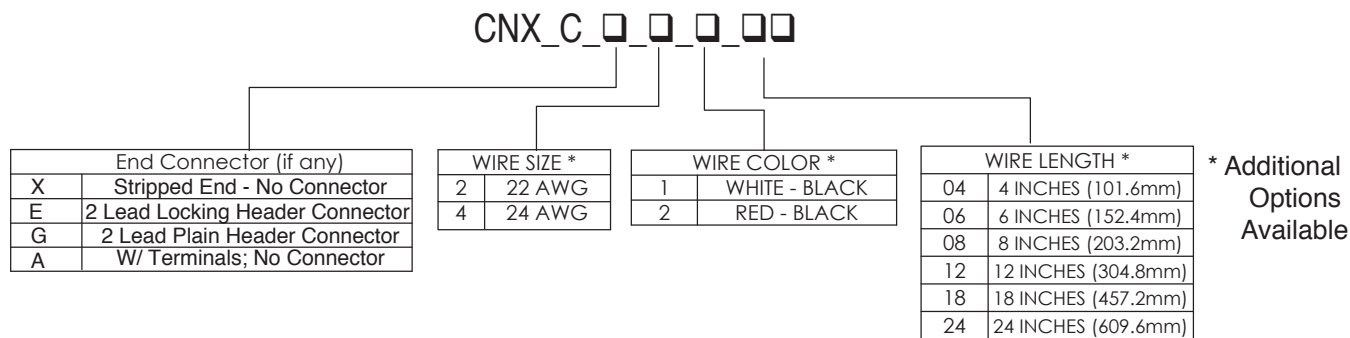
CMS 323 Series  
(Moisture Sealing)



CMS\_322\_GTP

CMS\_322\_ATP  
CMS\_322\_BTP  
CMS\_322\_CTP  
CMS\_322\_GTP  
CMS\_322\_RTP  
CMS\_322\_YTP

## Ordering Data



CABLE ORDERING CODE EXAMPLE: CNX\_C\_X\_4\_1\_04

CNX\_C, Stripped End Termination, 24AWG, Wire White/Black, 4 inches wire length.

## Product Specifications

Materials	
Panel Connector Socket	Polypropylene, UL 94-HB
Header Connector	Polyester, UL 94-V0
Terminals	Phosphor Bronze, Tin Plate
Wire	22 or 24 AWG 1007/1569

Installation Specifications	
Mounting Hole	9/32" (0.281") (7.14 mm)
Panel Thickness	0.030" - 0.125" (0.762mm - 3.175mm)

Panel Thickness / Spacers	
0.030" - 0.045" (0.762mm - 1.143mm)	Use 2 SPC_060
0.050" - 0.100" (1.27mm - 2.54mm)	Use 1 SPC_060
0.105" - 0.125" (2.67mm - 3.175mm)	No Spacer Required

Lenses / LED Lead Length	
Lens or Clip	LED Lead Length
CMC_285 (Clip)	0.350" ± 0.01" (8.89mm ± 0.254mm)
CMC_313, CMC_321, CMC_323, CMS_322	0.250" ± 0.01" (6.35mm ± 0.254mm)

## Compliances and Approvals

