



Selection and ordering data


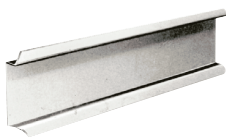

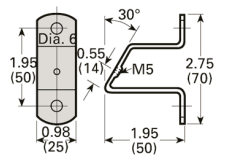
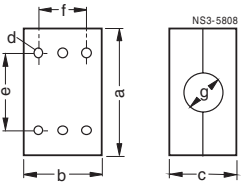
Design	Order No.	Price 1 unit	Pack Unit
 <p>AS-Interface cover for FK coupling module and Pg coupling module EMS (electromechanical interface)</p>	3RX9 800-0AA00		1
 <p>AS-Interface M 12 branch Transition from shaped AS-Interface cable to standard round cable Insulation piercing method for connecting the AS-Interface cable M12 socket for connecting standard round cable IP 65 degree of protection</p>	3RX9 801-0AA00		1
 <p>AS-Interface M12 blank plugs for unused M 12 sockets (1 packg.= 10 units)</p>	3RK1 901-1KA00		10
 <p>AS-Interface M8 blank plugs for unused M8 sockets (1 packg.= 10 units)</p>	3RK1 901-1PN00		10
 <p>AS-Interface Pg11 sealing gasket for the shaped AS-Interface cable for insertion in Pg 11 screwed glands (1 packg.= 10 units)</p>	3RX9 805-0AA00		10
 <p>FK/Pg cable adapter for connecting the AS-Interface cable to the Pg screwed gland with the insulation piercing method</p> <ul style="list-style-type: none"> • Continues via standard cable <ul style="list-style-type: none"> – for Pg 11 screwed gland – for Pg-13.5 screwed gland – for Pg-9 screwed gland • Continues via pins <ul style="list-style-type: none"> – for Pg 11 screwed gland – for Pg-13.5 screwed gland – for Pg-9 screwed gland 	3RX9 806-0AA00		1
	3RX9 807-0AA00		1
	3RX9 808-0AA00		1
	3RX9 816-0AA00		1
	3RX9 817-0AA00		1
	3RX9 818-0AA00		1
 <p>Cable clip for FK/Pg cable adapter Suitable for 3RX9 806-0AA00 3RX9 807-0AA00 3RX9 808-0AA00 3RX9 816-0AA00 3RX9 817-0AA00 3RX9 818-0AA00 (1 packing= 10 units)</p>	3RK1 901-3QA00		10
 <p>Cable end piece for sealing open cable ends (shaped AS-Interface cable) in IP 67 (1 packg.= 10 units)</p>	3RK1 901-1MN00		10

Actuator-Sensor-Interface System Components and Accessories



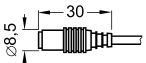
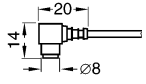
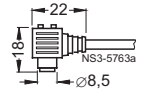
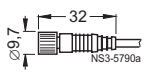
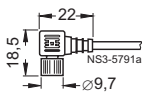
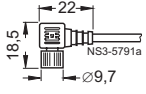
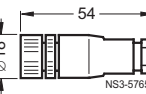
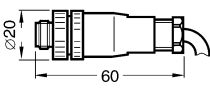
General accessories

Selection and ordering data

Design	Order No.	Price	Pack
		1 unit	Unit
6ES7194-1KA00-0XA0 	Y-Shaped M12-5 Coupling Plug For Use with Standard and Compact Modules with Y- and Y-II Connections. Used with 2 separate sensors	6ES7194-1KA00-0XA0	
	Y-Shaped M12-5 Coupling Plug For Use with Standard and Compact Modules with Y- and Y-II Connections. Used for Photoelectric Sender and Receiver ①	3RX1682	
	1 bag of Gaskets For mounting plate 3RK1901-0CA00 and 3RK1902-0AP00 consisting of 5 straight and 5 profiled gaskets	3RK1902-0AR00	
CMR. 	DIN Mounting Rail Galvanized 35 mm x 7.5 mm x 1 mm	3.25 ft 6.5 ft	CMR3-2 CMR6 2 1
5ST1146 	DIN Mounting Rail Chromated 35 mm x 15 mm x 1.5 mm	6.5 ft	5ST1142
8WA746 	DIN Mounting Rail, Slotted Chromated 35 mm x 7.5 mm x 1 mm	6.5 ft	5ST1146
	Mounting Bracket For Angular Mounting of Mounting Rails		8WA746
	Tubular Sensor Mounting Brackets (molded plastic)	M12 M18 M30	3SX6282 3SX6283 3SX6284
3SX628. 			

① Refer to "Connections" for a visual reference and pin assignments, page 16/43.



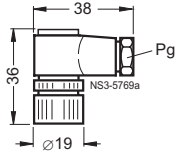
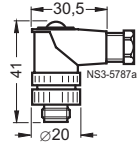
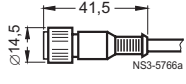
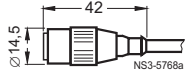
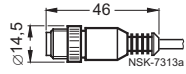
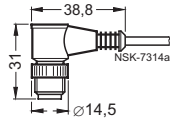
Plug	Termination type	Description	Catalog no.	Price
3RX1518, 3RX1522 	Ø8	8 mm Straight Female Cable Plug (snap on mounting) with black PUR connecting cable Length: 5 m (16.4 ft), IP65		
	Ø8-3	with 3 conductors	3RX1518	
	Ø8-4	with 4 conductors	3RX1522	
3RX1525, 3RX1528 	Ø8	8 mm Right Angle Female Cable Plug (snap on mounting) with black PUR connecting cable Length: 5 m (16.4 ft), IP65		
	Ø8-3	with 3 conductors	3RX1525	
	Ø8-3	with 3 conductors, 2 LEDs (PNP current sourcing output only)	3RX1531	
3RX1531 	Ø8-4	with 4 conductors	3RX1528	
3RX1578, 3RX1577 	M8	M8 Straight Female Cable Plug (metal union nut) with black PUR cable Length: 5 m (16.4 ft), IP67		
	M8-3	with 3 conductors	3RX1578	
	M8-4	with 4 conductors	3RX1577	
3RX1576, 3RX1575 	M8	M8 Right Angle Female Cable Plug (metal union nut) with black PUR cable Length: 5 m (16.4 ft), IP67		
	M8-3	with 3 conductors	3RX1576	
	M8-3	with 3 conductors, 2 LEDs (PNP current sourcing output only)	3RX1666	
3RX1666 	M8-4	with 4 conductors	3RX1575	
3RX1505, 3RX1584 	M12	M12 Straight Female Plug black with screw terminals (19AWG max.) DC up to 300V AC up to 275V		
	M12-4	with 4 screw terminals	3RX1505	
	M12-5	with 5 screw terminals	3RX1584	
3RX1586, 3RX1667 	M12	M12 Straight Male Plug black with screw terminals (19AWG max.)		
	M12-4	with 4 screw terminals	3RX1586	
	M12-5	with 5 screw terminals	3RX1667	

All dimensions shown in millimeters. For reference purposes only. Not to be used for design or construction purposes.

Actuator-Sensor-Interface System Components and Accessories

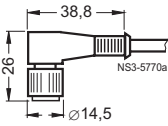
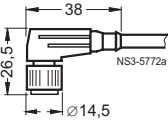
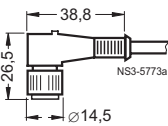
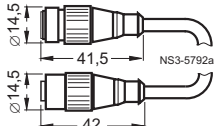
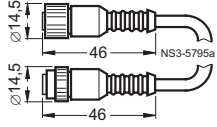
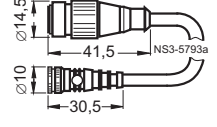
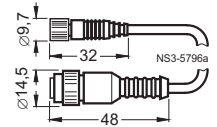


Typical connecting plugs

Plug	Termination type	Description	Catalog no.	Price
3RX1502, 3RX1585 	M12	M12 Right Angle Female Plug black with screw terminals (19 AWG max.)		
	M12-4	with 4 screw terminals DC up to 300V AC up to 275V	3RX1502	
	M12-5	with 5 screw terminals DC up to 300V AC up to 275V	3RX1585	
3RX1587, 3RX1668 	M12	M12 Right Angle Male Plug black with screw terminals (19 AWG max.)		
	M12-4	with 4 screw terminals	3RX1587	
	M12-5	with 5 screw terminals	3RX1668	
3RX1533, 3RX1668  3RX1535, 3RX1513 	M12	M12 Straight Female Cable Plug (metal union nut) with PUR connecting cable Length: 5 m (16.4 ft), IP67		
	M12-3	with 3 conductors, orange cable	3RX1535	
	M12-3	with 3 conductors, black cable (normally open output only)	3RX1533	
	M12-4	with 4 conductors, orange cable	3RX1513	
	M12-4	with 4 conductors, black cable	3RX1536	
	M12-5	with 5 conductors, orange cable	3RX1570	
M12-5	with 5 conductors, black cable	3RX1630		
3RX1672 	M12	M12 Straight Male Cable Plug black PUR connecting cable Length: 5 m (16.4 ft), IP67		
	M12-4	M12-4with 4 conductors	3RX1672	
3RX1674 	M12	M12 Right Angle Male Cable Plug black PUR connecting cable Length: 5 m (16.4 ft), IP67		
	M12-4	M12-4with 4 conductors	3RX1674	

All dimensions shown in millimeters. For reference purposes only. Not to be used for design or construction purposes.



Plug	Termination type	Description	Catalog no.	Price
3RX1538, 3RX1542	M12	M12 Right Angle Female Cable Plug (metal union nut) with PUR connecting cable Length: 5 m (16.4 ft.) IP67		
	M12-3	With 3 conductors, orange cable	3RX1538	
	M12-3	With 3 conductors, black cable (normally open output only)	3RX1541	
3RX1541, 3RX1512, 3RX1515, 3RX1567	M12-3	With 3 conductors, orange cable, 2 LEDs DC 24V	3RX1515	
	M12-3	With 3 conductors, black cable, 2 LEDs DC 24V (normally open or normally closed, pnp, current sourcing output)	3RX1544	
	M12-4	With 4 conductors, orange cable 3RX1512	3RX1512	
	M12-4	With 4 conductors, black cable 3RX1542	3RX1542	
	M12-4	With 4 conductors, orange cable, 2 LEDs DC 24V	3RX1567	
	M12-4	With 4 conductors, black cable, 2 LEDs DC 24V (normally open or normally closed r normally closed, pnp, current sourcing output)	3RX1568	
3RX1544, 3RX1568	M12-5	With 5 conductors, orange cable	3RX1571	
				
3RX1633, 3RX1634, 3RX1635	M12/M12	Connection cable with M12 Female Plug and Male Plug (metal union nut)		
	M12-3	With 3 conductors, orange cable 0.5 m (1.6 ft.) 1.0 m (3.3 ft.) 1.5 m (4.9 ft.) (Normally open output only)	3RX1633 3RX1634 3RX1635	
3RX1641, 3RX1640, 3RX1642	M12-4	With 4 conductors, black cable 0.5 m (1.6 ft.) 1.0 m (3.3 ft.) 1.5 m (4.9 ft.)	3RX1641 3RX1640 3RX1642	
				
3RX1636, 3RX1637, 3RX1638	M12/M8	Connection cable with M12 Male Plug and M8 Female Plug (metal union nut)		
	M12-3	With 3 conductors, orange cable 0.5 m (1.6 ft.) 1.0 m (3.3 ft.) 1.5 m (4.9 ft.)	3RX1636 3RX1637 3RX1638	
	M8-3			
3RX1647, 3RX1646 3RX1648, 3RX1644 3RX1643, 3RX1645	M12-3	With 3 conductors, orange cable 0.5 m (1.6 ft.) 1.0 m (3.3 ft.) 1.5 m (4.9 ft.)	3RX1647 3RX1646 3RX1648	
	M8-3			
	M12-4	With 4 conductors, orange cable 0.5 m (1.6 ft.) 1.0 m (3.3 ft.) 1.5 m (4.9 ft.)	3RX1644 3RX1643 3RX1645	
	M8-4			

All dimensions shown in millimeters. For reference purposes only. Not to be used for design or construction purposes.

Actuator-Sensor-Interface System Components and Accessories

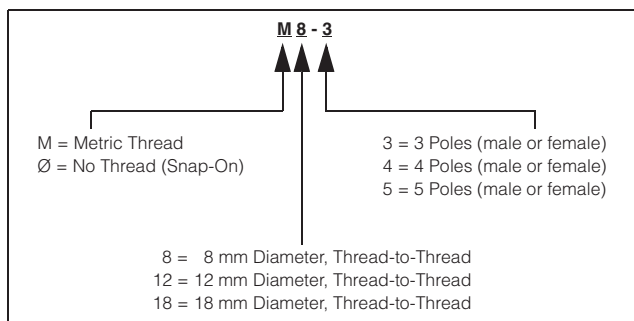


General accessories

Connector definitions

- Connector** (a.k.a. Quick Disconnect): A general term for a device attached to two or more wires or cables for the purpose of connecting electric circuits without the use of permanent splices.
- Female** Typically has provisions for the acceptance of pins to establish an electrical connection and internal threads for mechanical connection.
- Male** Typically has pins to establish an electrical connection and external threads for mechanical connection.
- M8** (a.k.a. Nano, Nano Style, Pico): A connector/termination type with a nominal face diameter of 0.222 inches (5.64 mm). M = Metric thread, 8 = 8 mm diameter, thread-to-thread.
- M12** (a.k.a. Eurofast, Micro, Micro Change DC, Micro Style): A connector/termination type with a nominal face diameter of 0.290 inches (7.37 mm). M = Metric thread, 12 = 12 mm diameter, thread-to-thread.
- M18** A connector/termination type with a nominal face diameter of 0.965 inches (24.5 mm). M = Metric thread, 18 = 18 mm diameter, thread-to-thread.
- Ø8** (a.k.a. Nano, Nano Style, Pico): A connector/termination type with a nominal face diameter of 0.222 inches (5.64 mm). Ø = No Threading (snap on), 8 = 8 mm diameter.
- Plug** The moveable half of a connector usually associated with wires or cables that by insertion into a receptacle establishes an electrical connection between the power source and an electrical load device.
- Receptacle** (a.k.a. Socket): The mating half of a connector that is usually stationary and associated with wires or cables, that allows insertion of a plug for the purpose of establishing an electrical connection between an electrical load device and the power source.

Typical Connector Numbering System



Utilization categories for switching elements

The utilization categories given below are considered standard per IEC specification 947-5-1.

Kind of current	Utilization category	Typical application
Alternating current (AC)	AC-15	Control of electromagnetic loads (L72VA)
Direct current (DC)	DC-12	Control of resistive loads and solidstate loads with isolation by opto couplers
	DC-13	Control of electromagnets
	DC-14	Control of electromagnetic loads having economy resistors in circuit