

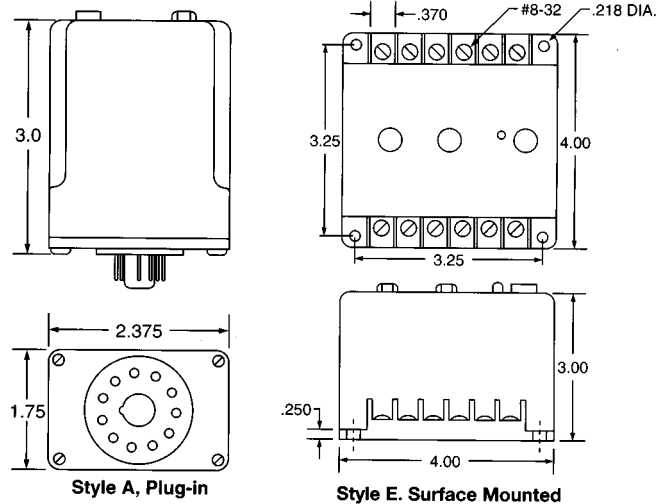
# CML SERIES



## AC Over Current Monitor/Relays with Manual Reset



### DIMENSIONS INCHES

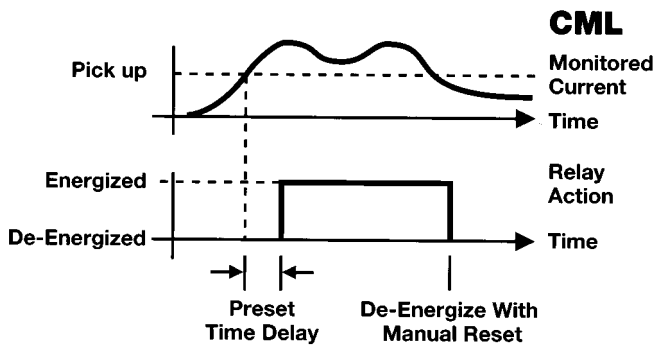


CURRENT MONITORS

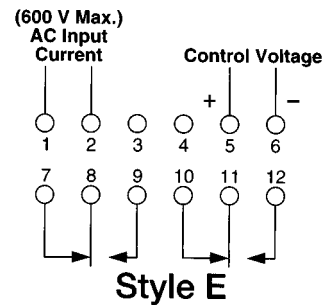
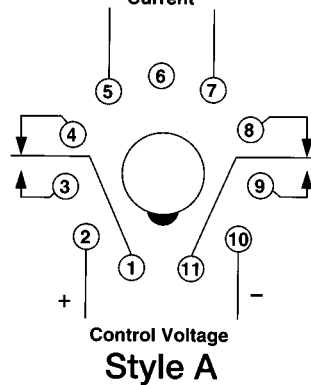
### OPERATION

The CML Series is used to detect over current conditions. The internal relay energizes (Pick-up) when the monitored current exceeds the preset trip point for longer than the adjustable time delay period. The adjustable delay is incorporated to prevent nuisance tripping caused by motor inrush currents. The CML has the manual reset feature. The internal relay de-energizes (Drop-out) when the reset button is pressed. If the current is below the trip point when the button is released, the relay will remain de-energized. If the current is above the trip point, the relay will re-energize.

An External CT may be used to extend the range of the Current Monitor.



### WIRING (300 V Max.) AC Input Current



### SPECIFICATIONS

**CONTROL VOLTAGE:** 24 or 120 VAC/DC; 50/60 Hz

#### TRIP POINTS

Pick-up: See order information  
Drop-out: 5% below Pick-up (After Manual Reset)

#### HYSTERESIS:

5%

#### RESPONSE TIMES

Operate: 0.1 to 5 Seconds, Adjustable

#### TEMPERATURES

Operate: 32° to 131°F (0° to +55°C)  
Storage: -49° to 185°F (-45° to +85°C)

#### RESET:

Manual

#### OUTPUT:

DPDT, 10 Amps @ 120 VAC, Resistive

#### INDICATOR:

LED Glows On Over Current (Style "E" Enclosure Only)

#### ENCLOSURE

Style A: Lexan Dust Cover; 11-pin Plug-in  
Style E: Lexan Surface Mounted; #8-32 Screw Terminals

#### SOCKET:

RB-11 Socket for Style A.

### ORDER INFORMATION

CML-XXX-XSX-XX

#### CONTROL VOLTAGE

24 24 Volts  
120 120 Volts

#### TYPE OF VOLTAGE

A AC/ DC

#### ENCLOSURE STYLE

A Plug-in  
E Surface Mount

#### PICK-UP CURRENT RANGE

.25 .05 to .25 amps, adj. 1 0.2 to 1.0 amps, adj.  
5 1.0 to 5.0 amps, adj. 10 2.0 to 10 amps, adj.  
20 4.0 to 20 amps, adj. (Style E Only)