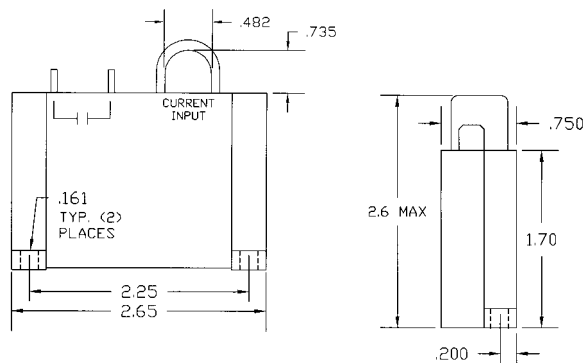


CMG-0101 SERIES



AC Self Powered Go/No-Go Current Monitor/Solid-State

DIMENSIONS INCHES



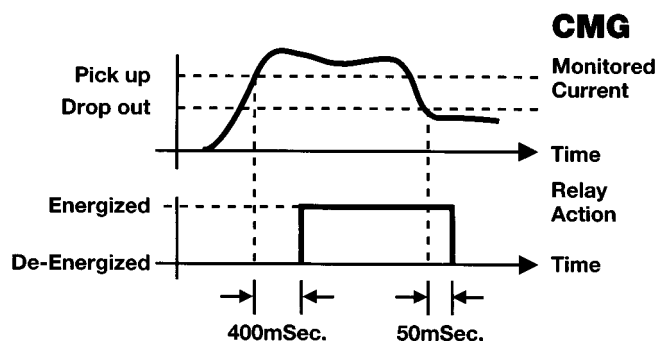
CURRENT MONITORS

FEATURES

- No physical connection to the AC line that is being monitored
- Magnetically coupled by passing supply line through protruding Current Transformer
- No supply voltage required
- Will operate on 24, 120, 240 or 480 VAC lines
- Easy installation
- 1/4" Quick Disconnect Terminals

OPERATION

The CMG-0101 Series is a solid state self powered Current Monitor/Solid State that is used to detect the presence of AC current. When the monitored current exceeds the trip point for longer than 400 mSec., the output energizes (Pick-up). When the monitored current drops below the trip point for longer than 400 mSec., the output de-energizes (Drop-out). No physical connection is required as the line to be monitored is magnetically coupled by passing the conductor through the protruding Current Transformer of the monitor. No external supply is needed to power the monitor.



SPECIFICATIONS

CATALOG NUMBER:	CMG-0101
CONTROL VOLTAGE:	Not Required
MAXIMUM CONTINUOUS CURRENT:	200 Amp turns @ 25°C
TRIP POINTS	
Pick-up:	2 Amps
Drop-out:	25% below Pick-up point
RESPONSE TIMES	
Operate:	2-10 mSeconds @ 130 Amps; 400 mSeconds @ 10% over
Release:	400 mSeconds (Approximately)
TEMPERATURES	
Operate:	32° to 131°F (0° to +55°C)
Storage:	-49° to 185°F (-45° to +85°C)
OUTPUT:	Solid State, SPST-N.O. 1 Amp Resistive; 40 VA Run @ 120 VAC Inductive
ABSOLUTE MAXIMUM OUTPUT VOLTAGE:	280 VAC
ACCURACY:	20% on Pick-up
RESET:	Automatic
ENCLOSURE:	Style "D" Surface Mounted
TERMINATIONS:	(2) 1/4" Quick Disconnect Terminals