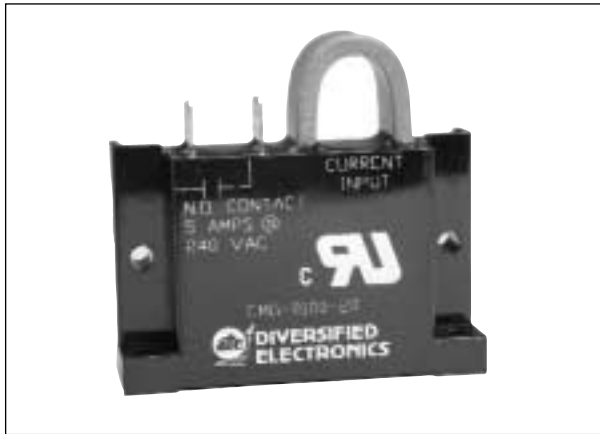
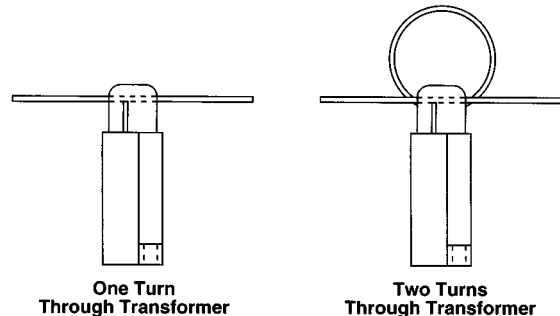
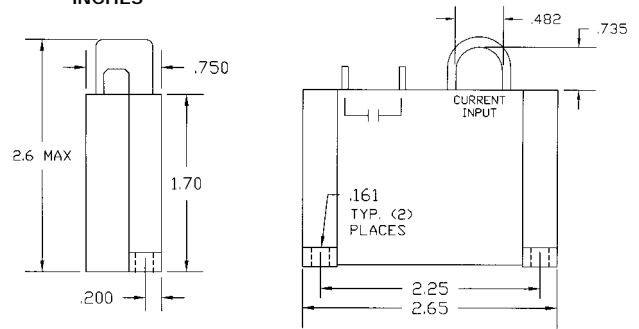


## AC Self Powered Go/No-Go Current Monitor/Relays



### DIMENSIONS INCHES



### FEATURES

- No physical connection to the AC line that is being monitored
- Magnetically coupled by passing supply line through protruding Current Transformer
- Withstands 700% of rated current
- No supply voltage required
- Will operate on 24, 120, 240 or 480 VAC lines
- Easy Installation
- 1/4" Quick Disconnect Terminals

### OPERATION

The CMG Series is a self powered Current Monitor/Relay that is used to detect the presence of AC current. When the monitored current exceeds the trip point for longer than 400 mSec., the internal relay energizes (Pick-up). When the monitored current drops below the trip point for longer than 50 mSec., the internal relay de-energizes (Drop-out). No physical connection is required as the line to be monitored is magnetically coupled by passing the conductor through the protruding Current Transformer of the monitor. No external supply is needed to power the monitor.

The current trip point specified is with one turn through the transformer. Each time the number of turns through the transformer doubles, the trip point effectively halves. Example: CMG-0100-20 will trip at 20 amps with one turn passing through the transformer. By placing two turns through the transformer, the relay will trip at 10 amps. Likewise, four turns will cause the relay to trip at 5 amps. (See below)

### SPECIFICATIONS

**CONTROL VOLTAGE:** Not Required

#### TRIP POINTS

Pick-up: See order information  
Drop-out: 25% below Pick-up

#### HYSTERESIS:

25%

#### RESPONSE TIMES

Operate: 400mSec. (Approximately)  
Release: 50mSec. (Approximately)

#### TEMPERATURES

Operate: 32° to 131°F (0° to +55°C)  
Storage: -49° to 185°F (-45° to +85°C)

#### OUTPUT:

SPST - N.O., 5 Amps @ 240 VAC, Res.\*

#### ACCURACY:

±5% on Pick-up

#### RESET:

Automatic

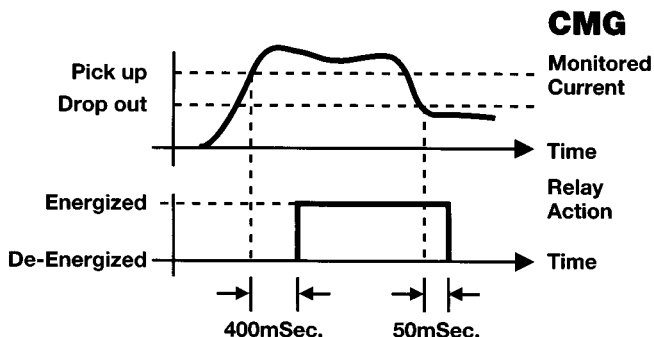
#### ENCLOSURE:

Style "D" Surface Mounted

#### TERMINATIONS:

(2) 1/4" Quick Disconnect Terminals

\*Available as a normally closed contact upon request.



### CMG

### ORDER INFORMATION

CMG-0100-XX

#### CURRENT TRIP POINT

20	20 amps
24	24 amps
28	28 amps
32	32 amps
36	36 amps