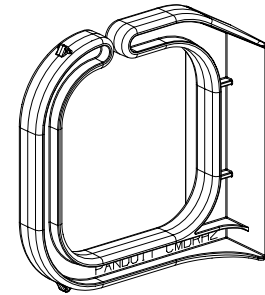
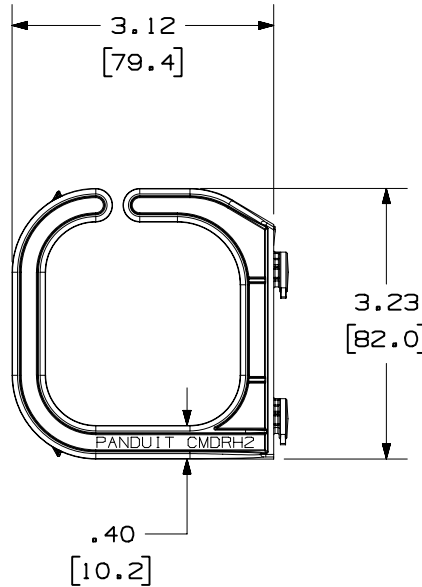
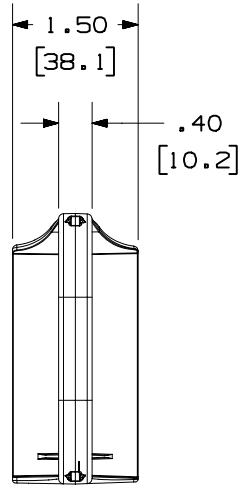


THIS COPY IS PROVIDED ON A RESTRICTED BASIS AND IS NOT TO BE USED IN ANY WAY DETRIMENTAL TO THE INTERESTS OF PANDUIT CORP.

PANDUIT P/N	WEIGHT
CMDRH2	.61 LB/10 PCS (275.5 g/10 PCS)

NOTES:

1. SEE CURRENT CATALOG FOR ADDITIONAL PART NUMBER SUFFIXES TO INDICATE COLOR AND OR PACKAGE QUANTITY.
2. SEE CATALOG FOR COMPLETE LIST OF PARTS APPLICABLE FOR USE WITH THIS PART.
3. DIMENSIONS IN PARENTHESES ARE IN METRIC.



CAD FILENAME/LAYERS		M00072BA_DC_01A.PRT	
<h1>PANDUIT</h1> <p>CORP. TINLEY PARK, ILLINOIS</p> <h2>OPEN CABLE MANAGEMENT RING</h2> <h3>HORIZONTAL (CMDRH2)</h3> <p>CUSTOMER DRAWING</p>			
UNLESS OTHERWISE SPECIFIED, DIMENSIONAL TOLERANCES ARE: (.X) ± (.XXX) ± .010 (.3) (.XX) ± .03 (.8) ANGLES ±		UNLESS OTHERWISE SPECIFIED, ALL DIMENSIONS ARE GIVEN IN INCHES, THIRD ANGLE PROJECTION.	
DRAWN BY JSP	MAT'L:  PC	SCALE NONE	
DATE 7-16-98		DRAWING NO. 00072-14	DWG A
CHECKED BY FJD		SIZE	

REV	DATE	BY	CHK	DESCRIPTION	ECN	CHK	CUST	SUP
I	9-29-99	KLGC		UPDATED MODEL GEOMETRY	00072-14			
R	7-16-98	JSP	FJD	RELEASED TO PRODUCTION.	00072-14	FJD	FJD	