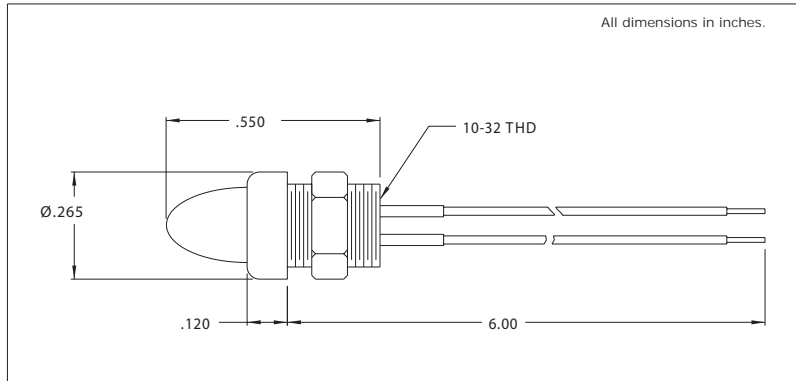




## Astrolite LED Indicator Lights

### DESCRIPTION AND FEATURES



The Chicago Miniature Lamp Astrolite indicator lights provide versatile solid state indication in an aesthetically pleasing economical, compact, panel mountable package. Luminous intensities as high as 300 mcd are available. As special order, these indicator lights can be provided with a voltage dropping resistor built into the lead for operation at higher voltages.

### SPECIFICATIONS

|                          |   |
|--------------------------|---|
| Mounting Hole:           | Ø.193 "D" hole  |
| Mounting Centers:        | .334  |
| Maximum Panel Thickness: | .188  |
| Bezel/Shank Material:    | Chrome Plated Brass   |
| Hex Nut:                 | Nickel Plated Brass   |
| Wire Leads:              | 26 AWG Stranded, 105°C PVC Insulation, black to Anode, white to Cathode |

### ELECTRO-OPTICAL CHARACTERISTICS

| Part Number     | Emitted Color | Lens Color | Lens Type | Luminous Intensity |            | Forward Voltage |          | Viewing Angle (degrees) | Peak Wavelength (nm) | V <sub>R</sub> | Max. I <sub>F</sub> |
|-----------------|---------------|------------|-----------|--------------------|------------|-----------------|----------|-------------------------|----------------------|----------------|---------------------|
|                 |               |            |           | Min. (mcd)         | Typ. (mcd) | Typ. (V)        | Max. (V) |                         |                      |                |                     |
| CMD95-21VGC/TR7 | Green         | Clear      | Single    | 11.5               | 19.5       | 2.1             | 2.8      | 25                      | 570                  | 5.0            | 35 mA               |
| CMD95-21VYC/TR7 | Yellow        | Clear      | Single    | 16.0               | 25.0       | 2.0             | 2.8      | 25                      | 585                  | 5.0            | 35 mA               |
| CMD95-21VRC/TR7 | Red           | Clear      | Single    | 16.0               | 25.0       | 2.0             | 2.8      | 25                      | 640                  | 5.0            | 35 mA               |
| CMD95-21SRC/TR7 | Red           | Clear      | Single    | 60.0               | 100.0      | 1.7             | 2.4      | 25                      | 660                  | 5.0            | 30 mA               |
| CMD95-21VGC/TR9 | Green         | Clear      | Single    | 11.5               | 19.5       | 2.1             | 2.8      | 25                      | 570                  | 5.0            | 25 mA               |
| CMD95-21VYC/TR9 | Yellow        | Clear      | Single    | 16.0               | 25.0       | 2.0             | 2.8      | 25                      | 585                  | 5.0            | 30 mA               |
| CMD95-21VRC/TR9 | Red           | Clear      | Single    | 16.0               | 25.0       | 2.0             | 2.8      | 25                      | 640                  | 5.0            | 30 mA               |