



CMD-333VGC

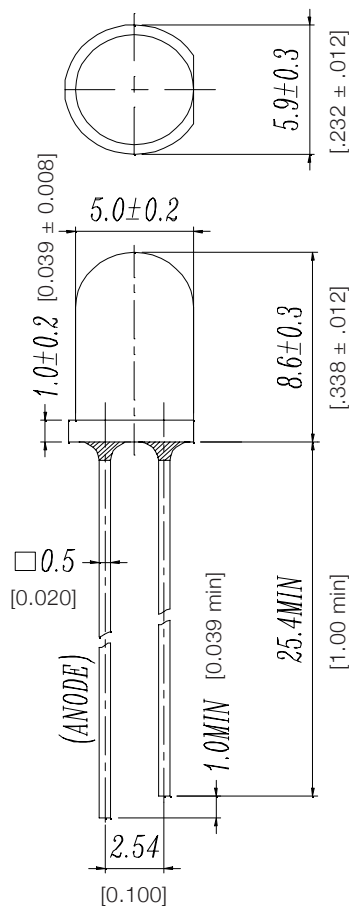
5mm (T-1 3/4) Through Hole LED

Color: Green



5mm Non-Diffused Clear LED Through Hole

Package Dimensions:



All dimensions are in mm [inches]

Electro-Optical Characteristics and Ratings

Output Color	Green
Diffusion	Non-Diffused
Package Color	Clear
Operating Current (mA)	20
Forward Voltage Typ. (V)	2.1
Forward Voltage Max. (V)	2.8
Luminous Intensity Min. (mcd)	150
Luminous Intensity Typ. (mcd)	250
Peak Wavelength (nm)	570
Viewing Angle 2θ 1/2 (degrees)	25
Power Dissipation (mW)	100
Reverse Current Max. ($V_R=5V$) (μA)	10
Operating Temperature ($^{\circ}C$)	-40 / +85
Storage Temperature ($^{\circ}C$)	-40 / +100

Compliances and Approvals

