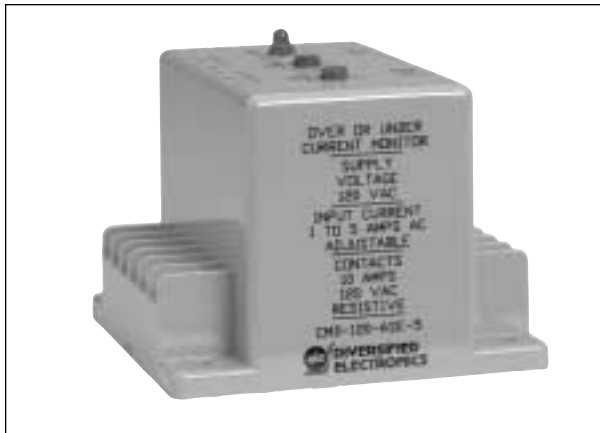
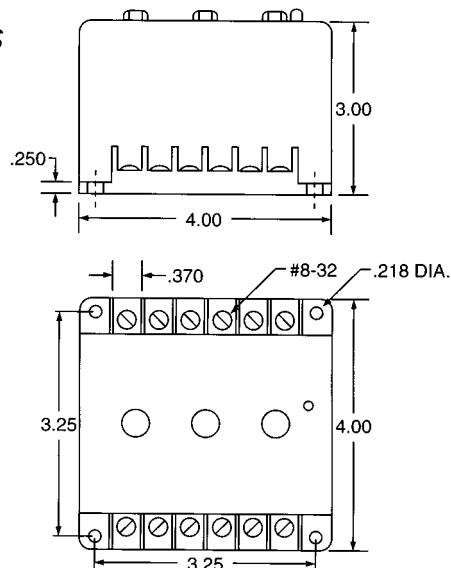


Universal AC Current Monitor/Relays



DIMENSIONS INCHES

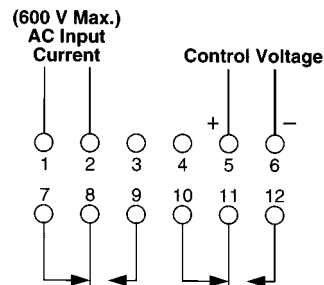


OPERATION

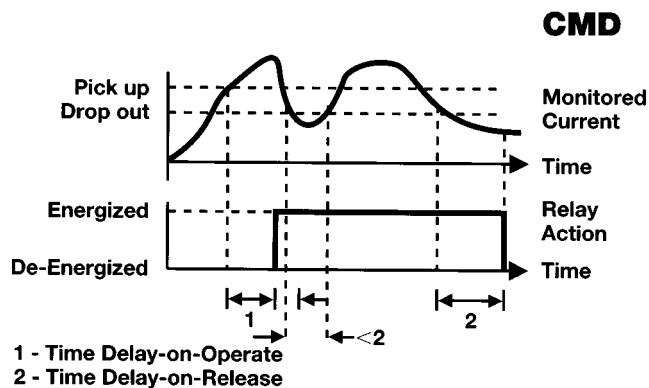
The CMD Series may be used as an Over Current Monitor or an Under Current Monitor. The CMD has adjustable Delay-on-Operate and adjustable Delay-on-Release time delays. When the current exceeds the preset current trip point for longer than the Delay-on-Operate time delay, the internal relay will energize (Pick-up). When the current drops below the preset current trip point for longer than the Delay-on-Release time delay, the internal relay will de-energize (Drop-out). When used as an over current monitor the Delay-on-Operate time delay is used to override inrush periods. When used as an under current monitor, the Delay-on-Release timer is used to override a temporary under current condition.

An External CT may be used to extend the range of the Current Monitor.

WIRING



CURRENT MONITORS



CMD

SPECIFICATIONS

CONTROL VOLTAGE: 24 or 120 VAC, 50/60 Hz; 24 VDC

CURRENT TRIP POINTS

Pick-up: See order information
Drop-out: 5% below Pick-up

RESPONSE TIMES

Operate: 0.1 to 10 Seconds, Adjustable
Release: 0.3 to 30 Seconds, Adjustable

HYSTERESIS:

5%

TEMPERATURES

Operate: 32° to 131°F (0° to +55°C)
Storage: -49° to 185°F (-45° to +85°C)

RESET:

Automatic

OUTPUT:

DPDT, 10 Amp @ 120 VAC Resistive

INDICATORS:

Glows when Relay is energized

ENCLOSURE:

Lexan Surface Mounted;
#8-32 Screw Terminals

ORDER INFORMATION CMD-XXX-XSE-XX

CONTROL VOLTAGE

24 24 Volts
120 120 Volts

TYPE OF VOLTAGE

A AC
D DC

CURRENT TRIP POINTS

.25 .05 to .25 amps, adj.
1 0.2 to 1.0 amps, adj.
5 1.0 to 5.0 amps, adj.
10 2.0 to 10 amps, adj.
20 4.0 to 20 amps, adj.