

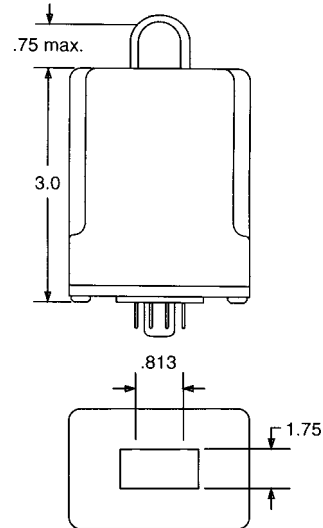
CMB SERIES



AC Go/No-Go Current Monitor/Relays



DIMENSIONS INCHES



FEATURES

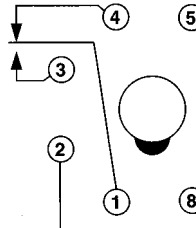
- No physical connection to the AC line that is being monitored
- Magnetically coupled by passing supply line through protruding Current Transformer
- Heavy Duty Contacts
- 8-Pin, Plug-in
- Low Cost
- Easy Installation

OPERATION

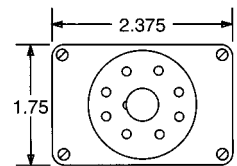
The CMB Series relay is used to detect the presence of AC current. When the monitored current exceeds the trip point for longer than 30 milliseconds, the internal relay energizes. When the monitored current drops below the trip point for longer than 0.5 seconds, the internal relay de-energizes. The Delay-on-Release is incorporated to prevent nuisance tripping caused by momentary dips in the load line.

An External CT may be used to extend the range of the Current Monitor.

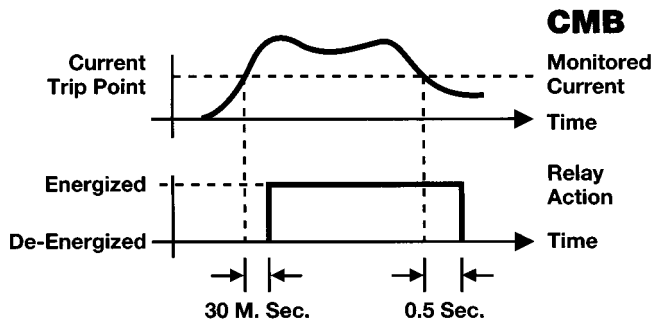
WIRING



CONTROL VOLTAGE



CURRENT MONITORS



SPECIFICATIONS

CATALOG NUMBER:	CMB-XXX-AFA-XX
CONTROL VOLTAGE:	24 or 120 VAC; 50/60 Hz, 24 VDC
AC INPUT CURRENT:	Up to 50 Amps
TRIP POINT:	1-10 Amps, Fixed
RESPONSE TIMES	
Operate:	30 Milliseconds
Release:	0.5 Seconds
TEMPERATURES	
Operate:	32° to 131°F (0° to +55°C)
Storage:	-49° to 185°F (-45° to +85°C)
POWER CONSUMPTION:	3 Watts (Approximately)
OUTPUT:	SPDT, 10 Amps @ 240 VAC Resistive; 211 VA @ 120 VAC Inductive; 1/6 Horsepower @ 120 VAC or 1/3 Horsepower @ 240 VAC
LIFE EXPECTANCY	
Mechanical:	10 Million Operations (Minimum)
Electrical:	100,000 Operations @ Rated Load
DUTY CYCLE:	Continuous
ENCLOSURE:	Lexan Dust Cover; 8-Pin plug-in
SOCKETS:	RB-08 or PF083A

ORDER INFORMATION CMB-XXX-XFA-XX

CONTROL VOLTAGE	
24-A	24 Volts AC
24-D	24 Volts DC
120-A	120 Volts AC

CURRENT TRIP POINTS	
1	1 amp
2	2 amps
3	3 amps
4	4 amps
5	5 amps
6	6 amps
7	7 amps
8	8 amps
9	9 amps
10	10 amps