

PHYSICAL DIMENSIONS:

A	7.50	[.295]	+	MAX.
A ₁	9.00	[.354]	+	0.40 [.016]
B	5.50	[.217]	+	MAX.
C	3.80	[.150]	+	MAX.
C ₁	4.90	[.193]	+	MAX.
D	2.54	[.100]	+	0.10 [.004]
T ₁	1.75	[.069]	+	TYP.
T ₂	0.50	[.020]	+	0.10 [.004]
T ₃	0.30	[.012]	+	0.10 [.004]

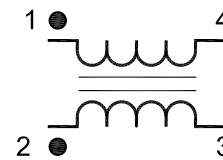
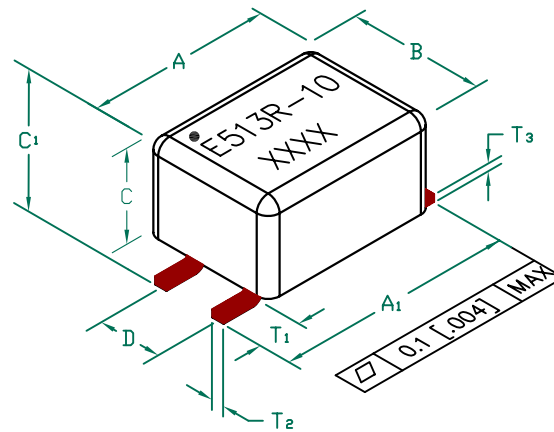
WEIGHT/1000 0.28 kgs [.62 Lbs]

CM2824E352R-10

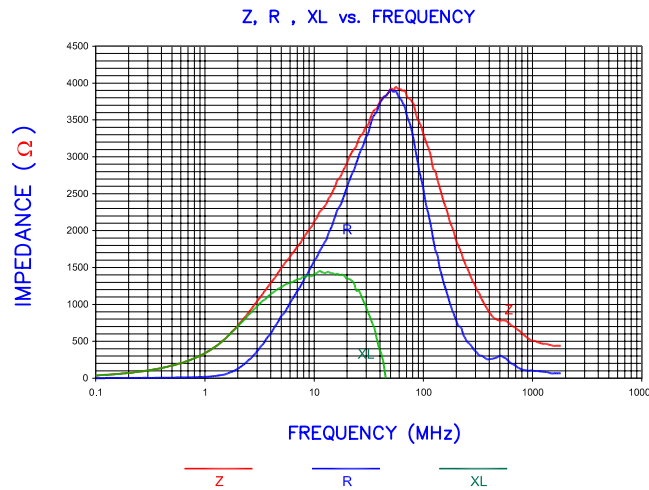
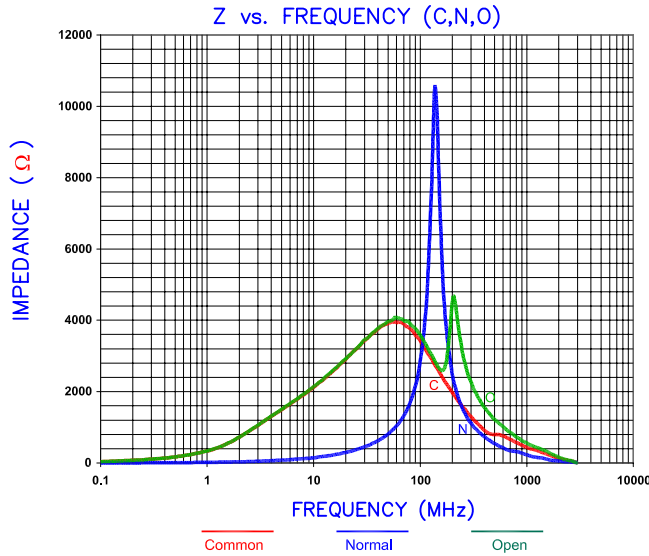
UNCONTROLLED DOCUMENT

ELECTRICAL SPECIFICATION @ 25°C
OPERATING TEMPERATURE RANGE: -40°C TO +125°C

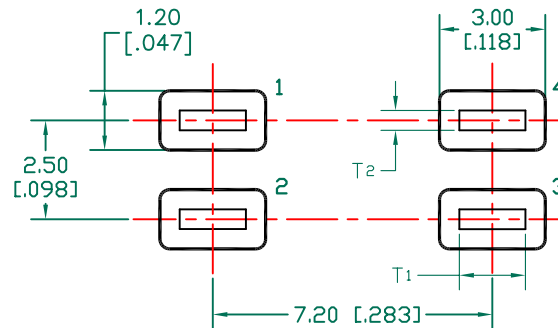
PARAMETER SYMBOL	REQUIREMENTS		
	MIN	TYP	MAX
Z SPEC Ω @ 100 MHz	2,625	3,500	-
DCR(Ω)			0.30
I (mA)			800



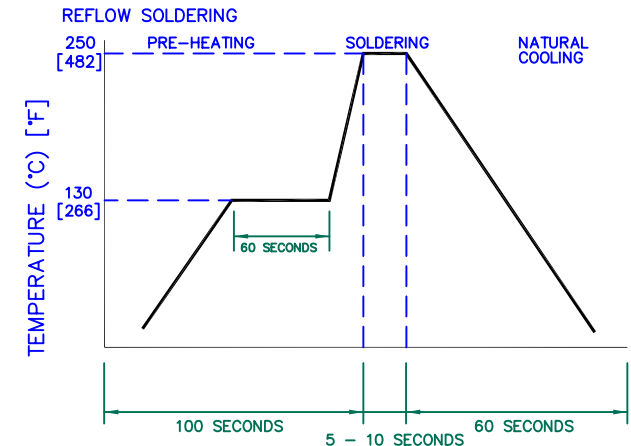
- NOTES: UNLESS OTHERWISE SPECIFIED
1. TAPED AND REELED ON 13" REELS, 1500 PCS/REEL.
 2. OPEN BOTTOM CONSTRUCTION.
 3. COMPONENTS SHOULD BE ADEQUATELY PREHEATED BEFORE SOLDERING.



LAND PATTERNS FOR REFLOW SOLDERING



RECOMMENDED SOLDERING CONDITIONS



DIMENSIONS ARE IN mm [INCHES].				This print is the property of Laird Tech. and is loaned in confidence subject to return upon request and with the understanding that no copies shall be made without the written consent of Laird Tech. All rights to design or invention are reserved.		
D	REMOVE IMPEDANCE UPPER SPEC	02/02/10	JUN	PROJECT/PART NUMBER: CM2824E352R-10		
C	UPDATE COMPANY LOGO	05/06/09	JRK			
B	UPDATE COMPANY LOGO	11/20/07	JRK			
A	ORIGINAL DRAFT	05/16/06	JRK			
REV	DESCRIPTION	DATE	INT	DATE: 05/16/06	SCALE: NTS	SHEET: 2 of 2

