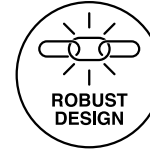


CL Series

Ø 0.555" (14mm) Watertight LED Indicator, IP67 and Vandal Resistant



Robust LED indicator with prominent bezel, especially suitable for high vibration environments and is ideal for heavy-duty applications.



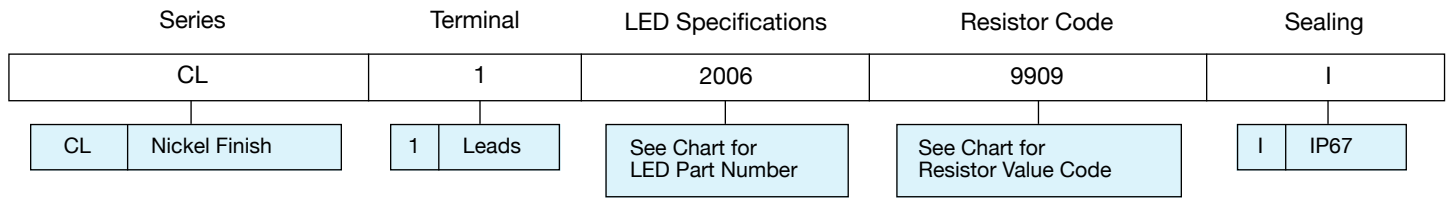
Application

- Status Indication
- Signaling
- Remote Power Indication
- Maritime, Oil and Gas Industry
- Automation and Control
- Maintenance and Warning Indication
- Safety and Emergency
- Main Power Indication
- Aircraft/Military Instrumentation

Key Features

- For panel hole diameter: 0.555" (14mm)
- Panel thickness up to .354" (9mm)
- Prominent LED indicator for increased visibility
- Internally potted-suitable for high vibration applications
- Designed for extreme, harsh and outdoor environments
- Available in operating voltage of 2V to 60V, 120VAC, and 240VAC
- Offered with 6" 24 AWG wire leads, red (anode) and black(cathode)
- Mil Spec MIL-W22759/33 wire
- Robust nickel-plated brass housing
- Available in four single colors: red, yellow, green, and blue
- Available in red/green bi-color
- Viewing angle: 20°-50° (dependent on model)
- Mounting hardware provided: hex nut, spacer, and gasket
- Thread size: M14*1.0mm
- Mounting torque: 20 ± 2 in-lb (2.26 ± 0.23 N-mm)
- Resistant to vandal, shock, and vibration
- For custom cable length, connectors or colors contact VCC
- RoHS and REACH Compliant

Ordering Data



Example:
CL-1-2006-9909-I
 CL Nickel Finish, Wire Leads, Red LED 12 Volt, IP67

LED Specification Chart Electrical and Optical Characteristics (TA = 25°C)

| LED Part Numbers | Color | Luminous Intensity (mcd) Typ. @ IF (mA) | VF Typ. @ IF (mA) | Viewing Angle (2θ ^{1/2}) | Peak Wavelength (nm) |
|------------------|-------|---|-------------------|------------------------------------|----------------------|
|------------------|-------|---|-------------------|------------------------------------|----------------------|

SINGLE COLOR

| | | | | | | | |
|------|--------|-------|----|-----|----|-----|-----|
| 2006 | Red | 100 | 20 | 2.0 | 20 | 30° | 627 |
| 2007 | Yellow | 500.0 | 20 | 2.0 | 20 | 30° | 590 |
| 2008 | Green | 100.0 | 20 | 2.1 | 20 | 30° | 574 |
| 2004 | Blue | 400.0 | 20 | 3.3 | 20 | 20° | 460 |

BI-COLOR

| | | | | | | | |
|------|-------|-------|----|------|----|-----|-----|
| 2005 | Red | 750.0 | 20 | 1.95 | 20 | 50° | 645 |
| | Green | 130.0 | 20 | 2.1 | 20 | | 574 |

Resistor Chart Operating Specification

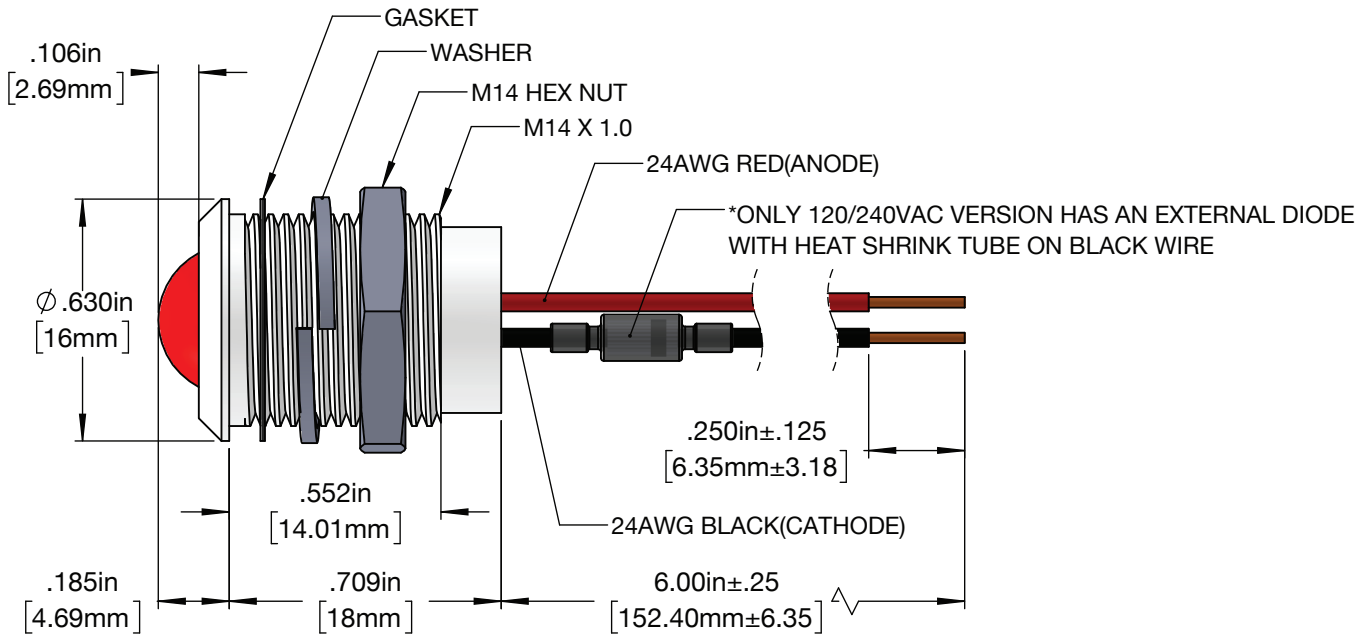
| Resistor Value Code | Voltage | Current (mA) | Resistor Value (Ohms) Green, Yellow Red, Bicolor LED | Resistor Value (Ohms) Blue LED |
|---------------------|---------|--------------|--|--------------------------------|
|---------------------|---------|--------------|--|--------------------------------|

| | | | | |
|------|--------|-----|-------|---------------|
| 0000 | 2 | 20 | None | Not Available |
| 9907 | 5 | 20 | 150 | |
| 9922 | 5 | 20 | | 65 |
| 9908 | 12 | 20 | 511 | |
| 9909 | 12 | 20 | | 357 |
| 9910 | 24 | 20 | 1100 | |
| 9911 | 24 | 20 | | 953 |
| 9912 | 48 | 9 | 4870 | |
| 9913 | 48 | 9 | | 4530 |
| 9914 | 60 | 7 | 8250 | |
| 9915 | 60 | 7 | | 7500 |
| 0120 | 120VAC | 7 | 16500 | Contact VCC |
| 0240 | 240VAC | 3.5 | 66400 | Contact VCC |

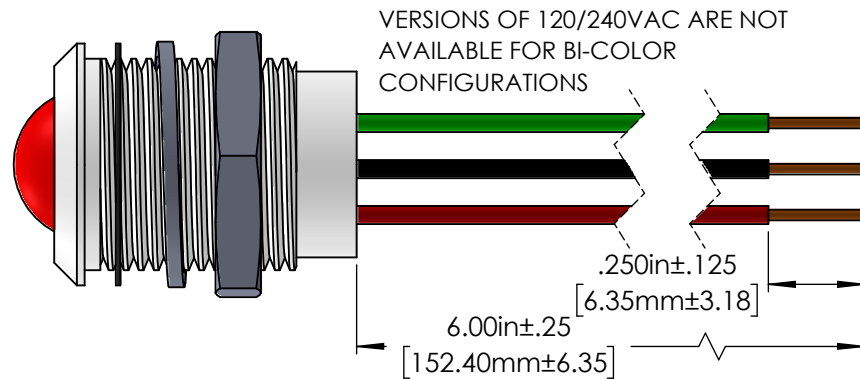
Note: Bi-Color not available in AC voltages

Product Dimensions

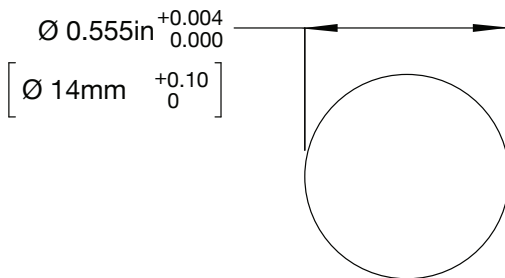
CL Series Wire Leads



CL Series Bi-Color



Recommended Mounting Hole



Notes:

1. All dimensions are in inches [millimeters]
2. Tolerance is \pm [0.25] 0.01 unless otherwise noted.
3. The specifications, characteristics and technical data described in the datasheet are subject to change without prior notice.

Product Specifications

| Materials | |
|-----------------------------|---|
| Housing | Nickel-plated brass housing |
| Wire Leads | 24 awg, 6" length, red anode, black cathode |
| Washer | Stainless steel |
| Gasket (for W and I option) | 70 Buna |
| Hex Nut | Brass Alloy 360 - 1/2 Hard |

| Electrical Specifications | |
|---------------------------|----------------|
| Operating Voltage | Refer to table |
| Operating Current | Refer to table |

| Installation Specifications | |
|-----------------------------|--|
| Mounting Hole | 0.555" \pm .004/-0.000" (14mm \pm 0.10/-0.00mm) |
| Panel Thickness (max.) | 0.354" (9.0mm) |
| Wire Leads | 24AWG UL1061 6.0" (152.4mm) red (anode) and black (cathode), leads stripped .250" (6.35mm) |
| Wire Leads AC Version | Black (hot) White (neutral) with external diode on black wire |
| Mounting Torque | 20 \pm 2in-lb (2.26 \pm 0.23 N-mm) |

| Temperature Specifications | |
|----------------------------|-----------------------------------|
| Operating Temperature | -40°C to +85°C -40°F to +185°F |
| Storage Temperature | -40°C to +85°C -40°F to +185°F |

Custom Connector

VCC can add crimped connections to your panel mount indicators (PMIs) and combine two final steps into one seamless transaction. We offer a range of connector options, including:



2 Position Connector



Wire-to-Wire Crimp Housing



Crimp Housing Connector



Micro-Fit Connector - Dual Row



Micro Rectangular Power Connector

Compliances and Approvals

