

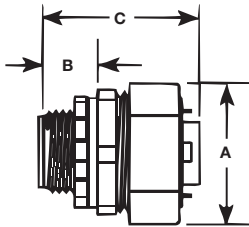
Flexible Cord

Steel Fittings

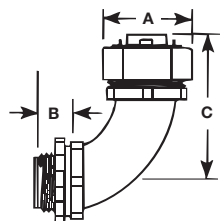


- Made of corrosion resistant, zinc plated machined steel
- Raintight and strainrelief
- Has a neoprene rubber bushing that ensures a permanent raintight seal around the cord outer jacket and a galvanized steel pressure ring that prevents distortion of the bushing when subjected to the tightening of the gland nut

**CICG50A250 /
CICG150D1375**



**CICG9050-A250 /
CICG9075-B850**



Cat. No.	Trade Size (in.)	KO Size (in.)	Cable Dimensions (in.)		Throat (in.)	Dimensions (in.)		
			Min.	Max.		A	B	C
Cord Grip Fittings (Machined Steel / Zinc Plated)								
CICG50A250	1/2	1/2	0.150	0.250	0.640	1-1/32	13/16	1-5/16
CICG50A350			0.250	0.350				
CICG50A450			0.350	0.460				
CICG50A560			0.450	0.560				
CICG50A650			0.560	0.650				
CICG75A250	3/4	3/4	0.150	0.250	0.687	1-1/32	13/16	1-5/16
CICG75A350			0.250	0.350				
CICG75A450			0.350	0.460				
CICG75A560			0.450	0.560				
CICG75A650			0.550	0.650				
CICG75B750			0.650	0.750	0.845	1-1/4	1-1/32	1-9/16
CICG75B850			0.750	0.850				
CICG100B560	1	1	0.450	0.560	0.937	1-1/4	1-1/8	1-3/4
CICG100B650			0.560	0.650				
CICG100B750			0.650	0.750				
CICG100B850			0.750	0.850				
CICG100C950			0.850	0.950				
CICG100C1050	0.950	1.050	1.050	1.050	1.050	1-1/2	1-3/16	1-7/8
CICG125C850	1-1/4	1-1/4	0.750	0.850	1.187	1-1/2	1-1/4	1-5/16
CICG125C950			0.850	0.950				
CICG125D1050			0.950	1.050				
CICG125D1150			1.050	1.150				
CICG125D1250			1.150	1.250				
CICG125D1375	1.250	1.375	1.375	2	1-5/16	2		
CICG150D1050	0.950	1.050						
CICG150D1150	1.050	1.150						
CICG150D1250	1.150	1.250						
CICG150D1375	1.250	1.375						
90° Cord Grip Fittings (Malleable Iron)								
CICG9050-A250	1/2	1/2	0.150	0.250	0.609	1-1/8	9/16	1-21/32
CICG9050-A350			0.250	0.350				
CICG9050-A450			0.350	0.450				
CICG9050-A560			0.450	0.560				
CICG9050-A650			0.550	0.650				
CICG9075-A250	3/4	3/4	0.150	0.250	0.813	1-3/8	19/32	1-25/32
CICG9075-A350			0.250	0.350				
CICG9075-A450			0.350	0.450				
CICG9075-A560			0.450	0.560				
CICG9075-A650			0.550	0.650				
CICG9075-B750			0.650	0.750				
CICG9075-B850			0.750	0.850				

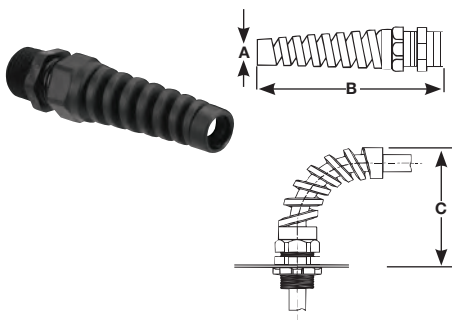
Flexible Cord

Nonmetallic Fittings

- Liquidtight and stainrelief
- Corrosion resistant polyamide (nylon)
- Vibration proof
- No twisted cords
- Indoor or outdoor use
- Quick installation
- Working temperatures: -30°C (-22°F) to 100°C (212°F) and up to 150°C (302°F) for short periods of time
- Resistant to: Salt water, weak acids, weak alkalis, alcohol, acetone, ether, benzene, gas, mineral oil, animal and vegetable oils



CISLF-9-03 / CISLF-21-06 CISLFR-9-03 / CISLFR-21-06



CISL-9-03 / CISL-21-06 CISL-29 / CISL-48 CISLR-9-03 / CISLR-21-06



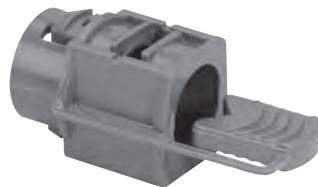
Cat. No.	Trade Size (in.)	KO Size (in.)	Dia. Over Cable Jacket (in.)		Throat (in.)	Dimensions (in.)		
			Min.	Max.		A	B	C
"Skintight" Straight Cord Fittings (Nylon)								
CISLR-9-03	3/8	3/8	0.079	0.236	0.375	3/4	1	—
CISL-9-03	3/8	3/8	0.187	0.312	0.375	3/4	1	—
CISLR-13-04	1/2	1/2	0.197	0.354	0.500	15/16	1-1/8	—
CISL-13-04	1/2	1/2	0.270	0.480	0.500	15/16	1-1/8	—
CISLR-21-04	1/2	1/2	0.354	0.629	0.600	1-5/16	1-3/16	—
CISL-21-04	1/2	1/2	0.545	0.709	0.600	1-5/16	1-3/16	—
CISLR-21-06	3/4	3/4	0.354	0.629	0.667	1-5/16	1-3/16	—
CISL-21-06	3/4	3/4	0.545	0.709	0.667	1-5/16	1-3/16	—
90° "Skintight" Cord Fittings (Nylon)								
CISLFR-9-03	3/8	3/8	0.079	0.236	0.375	5/16	2-7/16	1-3/4
CISLF-9-03	3/8	3/8	0.187	0.312	0.375	5/16	2-7/16	1-3/4
CISLFR-13-04	1/2	1/2	0.197	0.354	0.500	1/2	3-1/2	2-1/4
CISLF-13-04	1/2	1/2	0.270	0.480	0.500	1/2	3-1/2	2-1/4
CISLFR-21-04	1/2	1/2	0.354	0.629	0.600	3/4	4-1/2	3
CISLF-21-04	1/2	1/2	0.545	0.709	0.600	3/4	4-1/2	3
CISLFR-21-06	3/4	3/4	0.354	0.629	0.667	3/4	4-1/2	3
CISLF-21-06	3/4	3/4	0.545	0.709	0.667	3/4	4-1/2	3



Cat. No.	Trade Size (in.)	Drill Hole (in.)	Dia. Over Cable Jacket (in.)		Throat (in.)	Dimensions (in.)	
			Min.	Max.		A	B
"Skintight" Metric Thread, Straight Cord Fittings (Nylon)							
CISL-29	PG29	1-1/2	0.709	0.984	1.175	1-11/16	1-5/8
CISL-36	PG36	1-7/8	0.866	1.260	1.436	2-1/8	2
CISL-42	PG42	2-3/16	1.260	1.495	1.712	2-3/8	2-1/8
CISL-48	PG48	2-3/8	1.457	1.732	1.920	2-5/8	2-1/8

CI3360

Dry Location



Cat. No.	Trade Size (in.)	KO Size (in.)	Clamping Range (in.)	
			Min.	Max.
Nonmetallic Fittings				
CI3360	1/2	1/2	0.30	0.60

Complete with metric locknut. Working temperatures: -30°C (-22°F) to 80°C (176°F)

CI1703-PL* / CI1706-PL*



Cat. No.	Trade Size (in.)
Nylon Locknuts	
CI1703-PL*	3/8
CI1704-PL*	1/2
CI1706-PL*	3/4

* Not CSA certified