

Interfaces

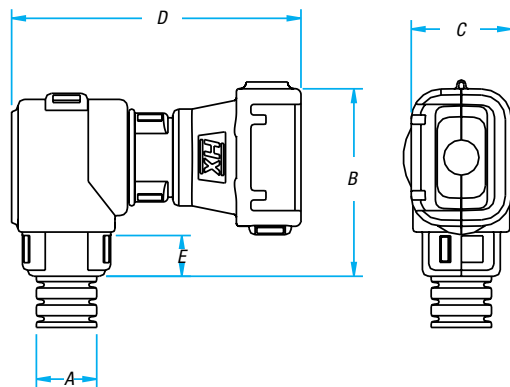
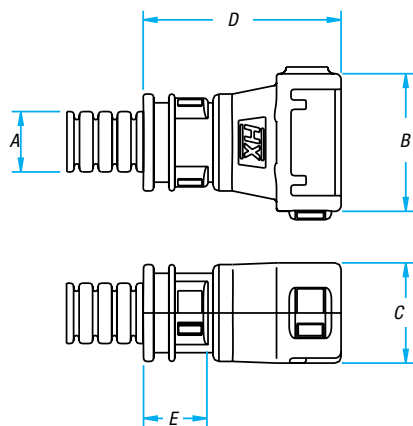
FCI Automotive Apex® Hinged Interfaces

Single-junction, straight and 90° elbow fittings provide high-integrity connections between FCI Apex® connectors or Junior Timer connectors and Harnessflex® conduit systems.

These fittings are designed to snap together over all types of slit and unslit conduit, thus maintaining maximum conduit bore.

In addition, 90° elbow versions allow the conduit to swivel 360° around the connector housing, sufficient to avoid the problems associated with one-piece interfaces of overflexing due to movement or vibration.

For connector part number reference table, see [page E-384](#).



FCI Automotive Apex® Straight Interfaces

CAT. NO.	CONNECTOR	CONDUIT SIZE A		NOMINAL DIMENSIONS (MM)			
		(NC)	(NW)	B	C	D	E
CI08-FCI02	2-Way	08	7.5	25	17	33	12
CI08-FCI03	3-Way	08	7.5	34	17	34	12
CI08-FCI04	4-Way	08	7.5	39	17	34	12
CI12-FCI02	2-Way	12	10	25	17	27	7
CI12-FCI03	3-Way	12	10	35	17	29	7
CI12-FCI04	4-Way	12	10	38	17	29	7
CI12-FCI14	14-Way	12	10	53	26	34	10
CI16-FCI14	14-Way	16	13	53	26	59	10
16-FCI14	14-Way	n/a	n/a	53	26	33	n/a
CI17-FCI10	10-Way	17	n/a	39.2	25.5	44	10.6
CI25-FCI50	50-Way	25	22	56	37	50.7	13

Apex is a registered trademark of FCI.

FCI Automotive Apex® 90° Elbow Swivel Interfaces

CAT. NO.	CONNECTOR	CONDUIT SIZE A		NOMINAL DIMENSIONS (MM)			
		(NC)	(NW)	B	C	D	E
CI08-90-FCI02	2-Way	08	7.5	31	19	48	10
CI08-90-FCI03	3-Way	08	7.5	35	19	49	10
CI08-90-FCI04	4-Way	08	7.5	38	19	49	10
CI12-90-FCI02	2-Way	12	10	32	19	48	10
CI12-90-FCI03	3-Way	12	10	37	19	49	10
CI12-90-FCI04	4-Way	12	10	38	19	49	10
CI08-90-FCI14	14-Way	08	7.5	38	24	57	10
CI12-90-FCI14	14-Way	12	10	38	24	57	10
CI16-90-FCI14	14-Way	16	13	38	24	57	10
CI08-90-FCS02	2-Way SICMA	08	7.5	30	19	33	10

General Information

Extended Product Type:	CI25-FCI50
Product ID:	7TCA298010R0337
EAN:	5020963037276
Catalog Description:	CONNECTOR INTERFACE NC25 TO FCI 50
Long Description:	Hinged Connector Interface Fitting, Straight, 50-Way FCI Automotive Apex 2.8 Connector to Conduit, Conduit Size NC25/NW22, Operating Temperature -40 to 120 Degrees Celcius, RoHS Compliant, IP40 Rating, Very High UV Protection, Polyamide (Nylon), Black

Categories

Products » [Low Voltage Products and Systems](#) » [Installation Products](#) » [Cable Protection, Explosion Proof and Lighting](#) » [Flexible Cable Protection Systems](#)

Ordering

EAN:	5020963037276
Minimum Order Quantity:	300 piece
Customs Tariff Number:	3917400090

Dimensions

Product Net Weight:	13.608 g
---------------------	----------

Container Information

Package Level 2 Units:	300 piece
Package Level 2 Width:	25.4 mm
Package Level 2 Height:	25.4 mm
Package Level 2 Length:	25.4 mm

Additional Information

Product Main Type:	HARNESSFLEX FLEXIBLE CABLE PROTECTION
Product Name:	plastic fitting for conduit

Certificates and Declarations (Document Number)

Data Sheet, Technical Information:	CI25-FCI50
------------------------------------	------------

Classifications

UNSPSC:	39121421
---------	----------