

CH and MH enclosures

size "104.62" standard version



inserts:		page
CD	128 poles + ⊕	53
CDD	216 poles + ⊕	66
CQE	92 poles + ⊕	85
CSH	48 poles + ⊕	93
CCE	48 poles + ⊕	104
CNE, CSE, JCNE, JCSE	48 poles + ⊕	105 and 111
CSS	48 poles + ⊕	123
CMSE	20+4 (aux) poles + ⊕	143
CMCE	20+4 (aux) poles + ⊕	142
CME	20+4 (aux) poles + ⊕	143
CME	32+4 (aux) poles + ⊕	147
CMCE	32+4 (aux) poles + ⊕	146
MIXO	6 + 6 modules	156+195

insert centre distance:
2 x (104 x 27) mm

bulkhead and surface mounting enclosures with single lever



hoods with 2 pegs

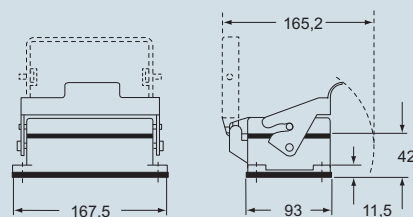


description	part no.	entry Pg	part no.	entry M	part no.	entry Pg	part no.	entry M
bulkhead mounting enclosures with lever	CHI 48 L	—						
bulkhead mounting enclosures with lever and cover	CHI 48 LS	—						
surface mounting enclosures with lever and cover	CHP 48 LS29	29 x 2	MHP 48 LS40	40 x 2				
surface mounting enclosures with lever and cover	CHP 48 LS	36 x 2	MHP 48 LS50	50 x 2				
with pegs, side entry					CHO 48 L29	29	MHO 48 L32	32
with pegs, side entry					CHO 48 L	36	MHO 48 L40	40
with pegs, side entry					CHO 48 L42	42	MHO 48 L50	50
with pegs, side entry, without adaptor *					CFO 48 L29	29	MFO 48 L32	32
with pegs, side entry, without adaptor *					CFO 48 L	36	MFO 48 L40	40
with pegs, side entry, without adaptor *					CFO 48 L42	42	MFO 48 L50	50
with pegs, top entry					CHV 48 L29	29	MHV 48 L32	32
with pegs, top entry					CHV 48 L	36	MHV 48 L40	40
with pegs, top entry					CHV 48 L42	42	MHV 48 L50	50
with pegs, top entry, without adaptor *					CFV 48 L29	29	MFV 48 L32	32
with pegs, top entry, without adaptor *					CFV 48 L	36	MFV 48 L40	40
with pegs, top entry, without adaptor *					CFV 48 L42	42	MFV 48 L50	50

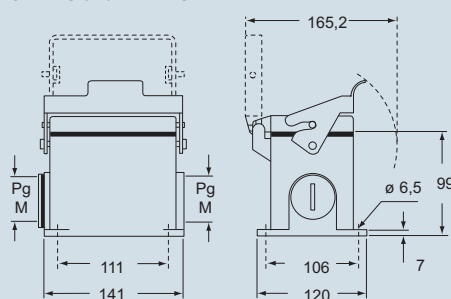
* enclosure without adaptor, threaded on the body, to be used only with a complete cable gland.

dimensions in mm

CHI L - LS

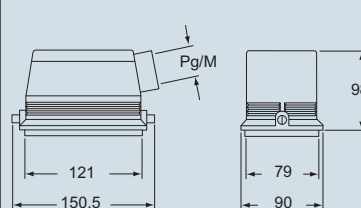


CHP LS and MHP LS

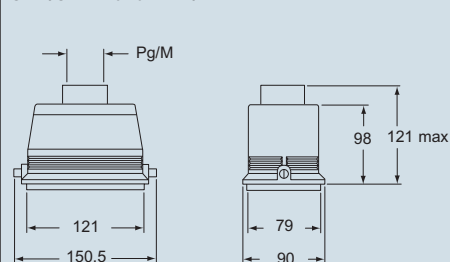


dimensions in mm

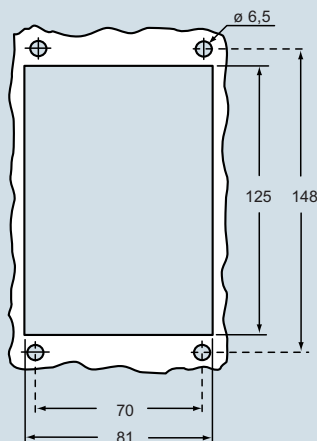
CHO/CFO L and MHO/MFO L



CHV/CFV L and MHV/MFV L



panel cut-out for bulkhead mounting housings in mm



NB: the enclosures ensure IP66 protection (or IP65 for cover versions) rating when mated and locked with the closing levers.

CALUS Type 4/4X/12



dimensions shown are not binding and may be changed without notice

C-TYPE - size 104.62