

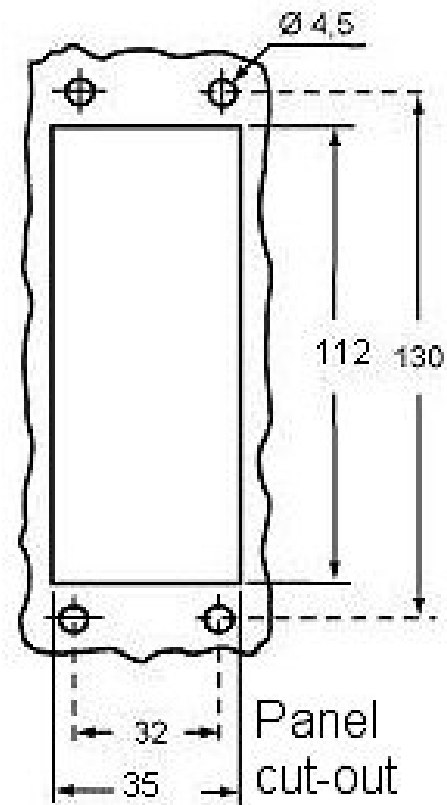
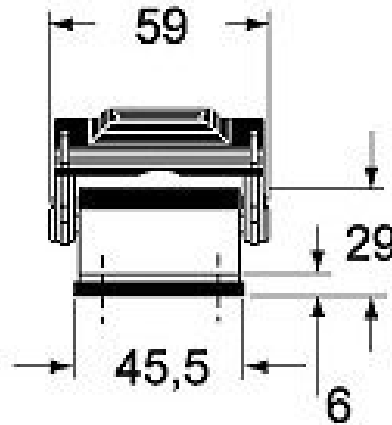
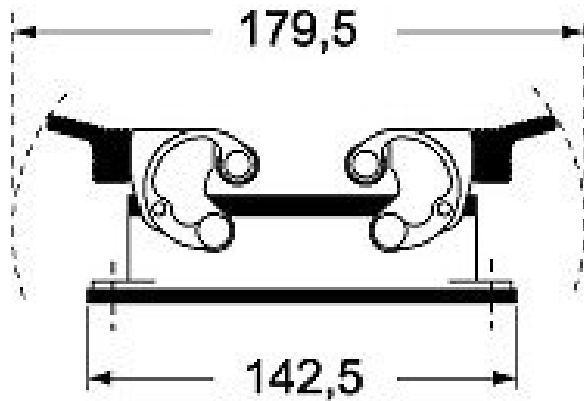
Product Sheet




Part Number:

CHI 24



www.ilme.com



Family	CH - CA and MH - MA enclosures
Version	metal version
Series	bulkhead mounting housings with 2 levers or 4 pegs
Product type	with 2 levers
Quality mark	 US (type:4/4X/12),  
IP degree of protection	IP66 (EN 60529) and IP69K (DIN 40050 - 9) degree of protection.
Fixing centre distance	size "104.27"
Material	metal
Barcode EAN13	8015747018142

The information and the dimensions contained are not binding and may be changed without prior notice.
The drawing's dimensions are in mm.