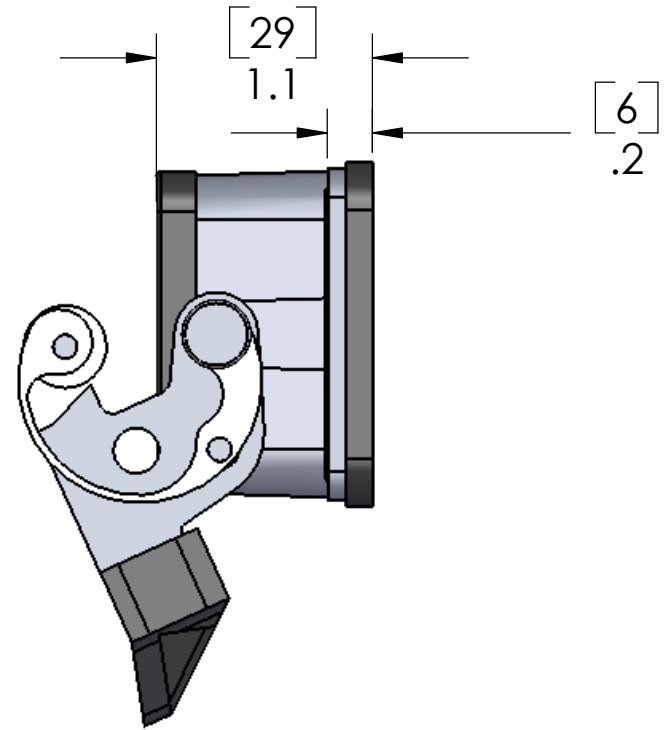
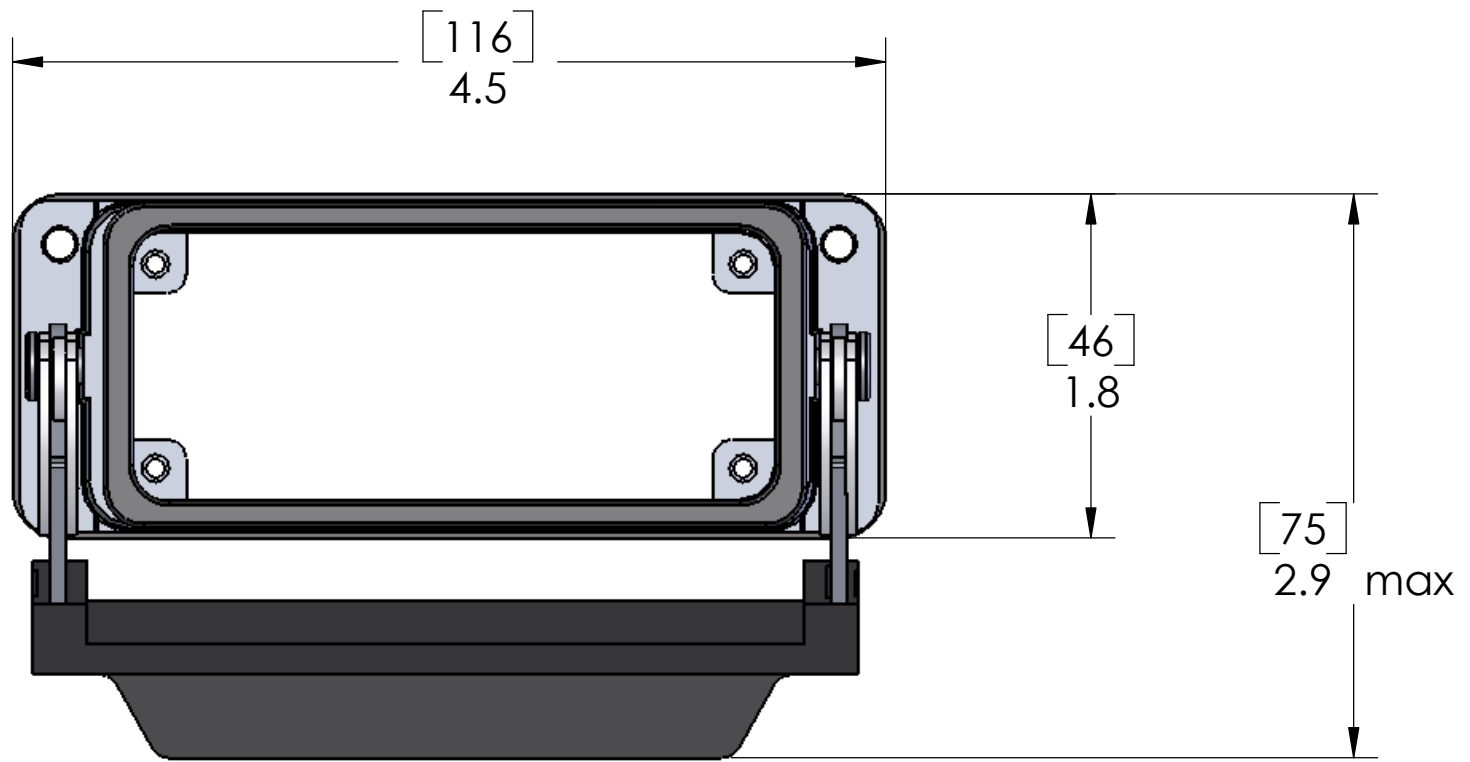
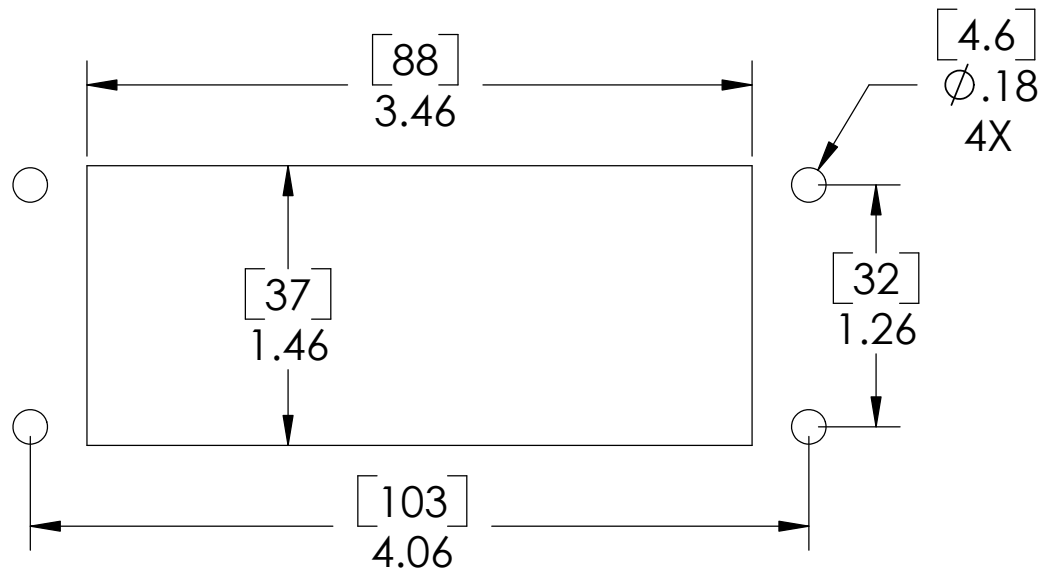


REVISIONS			
REV.	DESCRIPTION	DATE	APPROVED
A	MODIFY CUTOUT DIMENSIONS SEE NOTES	10/21/2005	BEM



PANEL CUTOUT



SEAL RATING OF IP 65 ONLY ACHIEVED WHEN FULLY LATCHED TO MATING HOOD

HOUSING MATERIALS	
BODY:	EPOXY COATED DIE CAST ALUMINUM
GASKET:	THERMOPLASTIC ELASTOMER
HANDLE:	POLYAMIDE
LEVERS:	STAINLESS STEEL

PROPRIETARY AND CONFIDENTIAL
THE INFORMATION CONTAINED IN THIS DRAWING IS THE SOLE PROPERTY OF MENCOM CORPORATION. ANY REPRODUCTION IN PART OR AS A WHOLE WITHOUT THE WRITTEN PERMISSION OF MENCOM CORPORATION IS PROHIBITED.

UNLESS OTHERWISE SPECIFIED: DIMENSIONS ARE IN INCHES	NAME BEM
MATERIAL	DRAWN
FINISH	CHECKED
DO NOT SCALE DRAWING	ENG APPR.
	MFG APPR.
	Q.A.
	COMMENTS:

MENCOM CORPORATION		
TITLE:		
SIZE B	DWG. NO. CHI-16L	REV A
SCALE: 1:1	WEIGHT:	SHEET 1 OF 1