

RoHS Compliant

Illuminated Pushbutton - 16mm



Specifications

Electrical Ratings	1A @ 24VDC 1A @ 125VAC 0.5A @ 250VAC
Sealing Degree	IP40 or IP67
Electrical Life	30,000 cycles typical
Contact Resistance	≤ 50mΩ initial

Actuation Force	200 ±50gF
Actuation Travel	2.5 ± .3mm
Dielectric Strength	1000Vrms min contact to contact 1500Vrms min contact to LED
Insulation Resistance	≥ 100MΩ min
Operating Temperature	-25°C to 70°C
Storage Temperature	-25°C to 70°C

Materials

Actuator & Body	Brass, Nickel Plated, Stainless Steel, Black Anodized Aluminum
LED Lens	Polycarbonate (PC)
Nut	Nickel Plated Brass
Terminal Support	Polybutylene Terephthalate (PBT)
Inner Switch Body	Polycarbonate (PC)
Contacts	Silver Alloy
Terminals	Tin Plated Brass

Contact Factory for:

- Cable Assembly
- Plastic Convex Actuator
- Shine Through Symbols
- Laser Etching

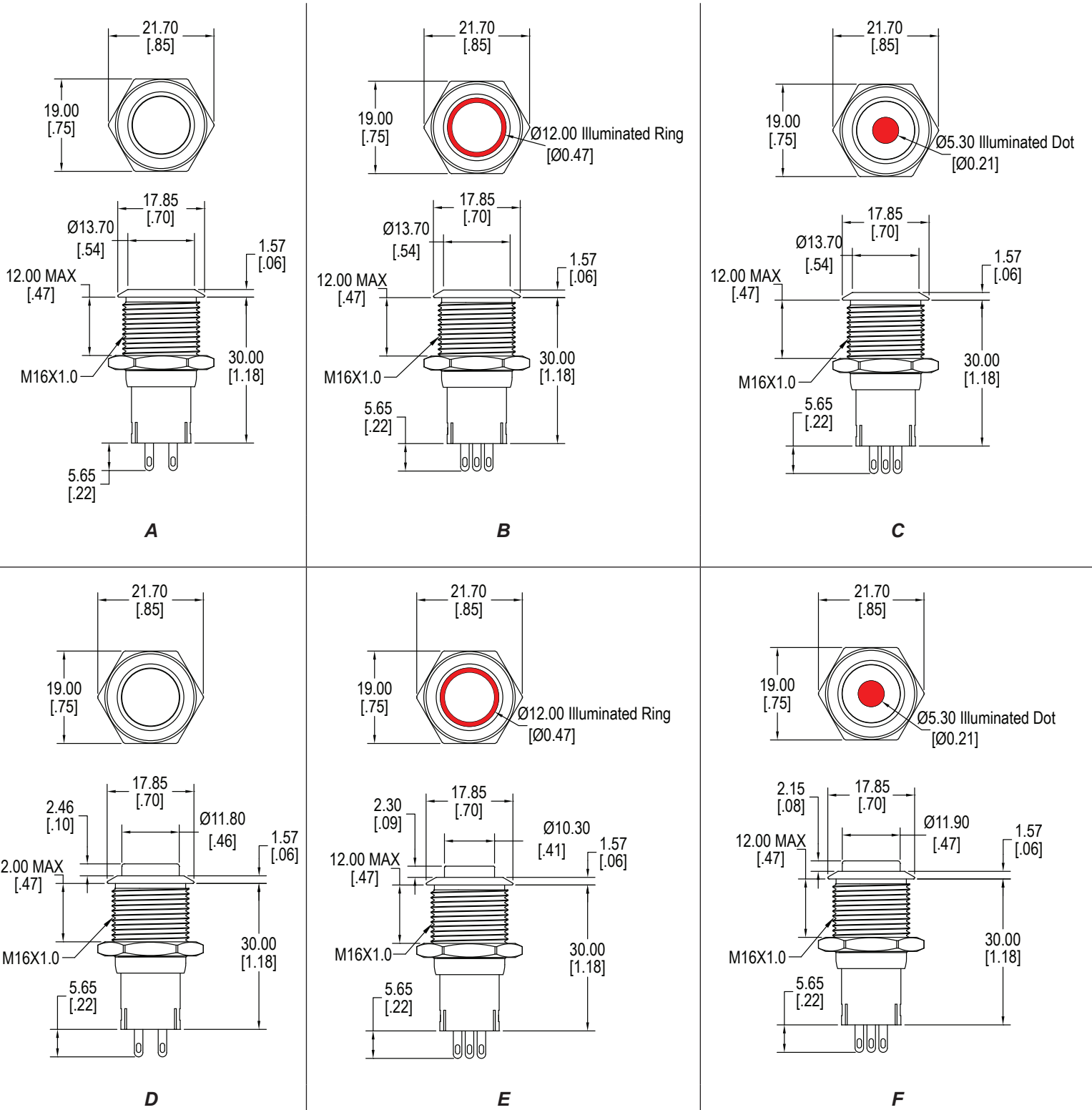


Illuminated Pushbutton - 16mm

Ordering Information

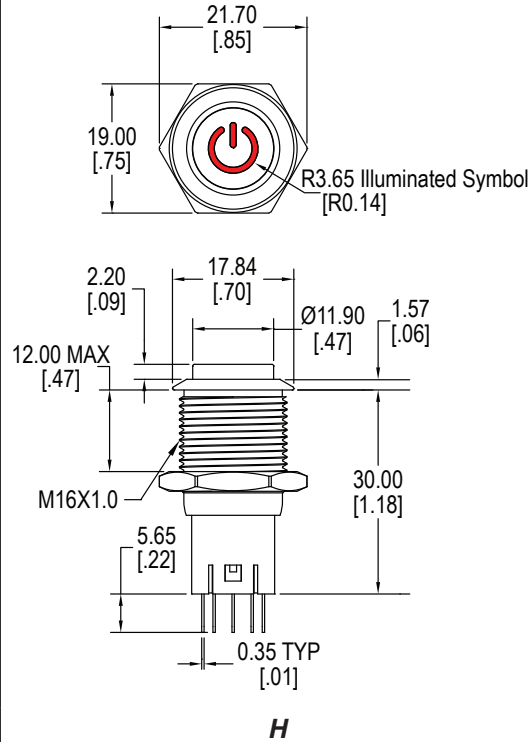
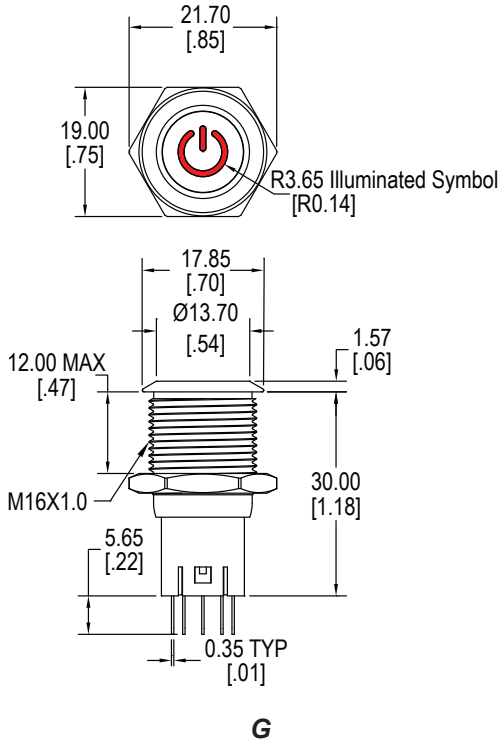
1. Series	CH	2	L	B	N	R	B
CH							
2. Number of Poles 1 = SPDT 2 = DPDT							
3. Latching Option N = Momentary L = Latching							
4. Actuator Style: A = Flush, non-illuminated B = Flush, ring illuminated C = Flush, dot illuminated D = Raised, non-illuminated E = Raised, ring illuminated F = Raised, dot illuminated G = Flush, universal standby symbol illuminated* H = Raised, universal standby symbol illuminated* <small>*Not available with G, R, U or Y finish options</small>							
5. Switch Finish S = Stainless Steel N = Nickel Plated B = Black Anodized Aluminum G = Green Anodized Aluminum R = Red Anodized Aluminum U = Blue Anodized Aluminum Y = Yellow Anodized Aluminum							
6. LED Color Blank = No LED R = Red Y = Yellow G = Green B = Blue W = White O = Orange	RO = Red / Orange dual LED RY = Red / Yellow dual LED RG = Red / Green dual LED RB = Red / Blue dual LED OY = Orange / Yellow dual LED OG = Orange / Green dual LED OB = Orange / Blue dual LED YG = Yellow / Green dual LED YB = Yellow / Blue dual LED GB = Green / Blue dual LED						
							* Contact Factory for other LED options
7. LED Voltage Blank = No LED 6 = 6VDC 12 = 12VDC 24 = 24VDC 110 = 110VAC 220 = 220VAC N = No internal resistor in series with the LED							
8. Sealing Options Blank = IP40, standard S = IP67							

Dimensions

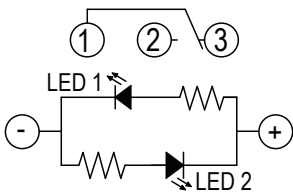


Illuminated Pushbutton - 16mm

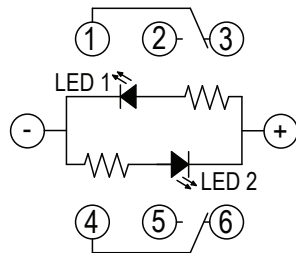
Dimensions



Schematics

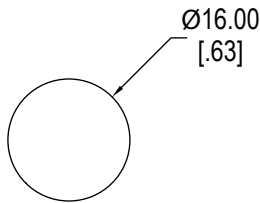


SPDT

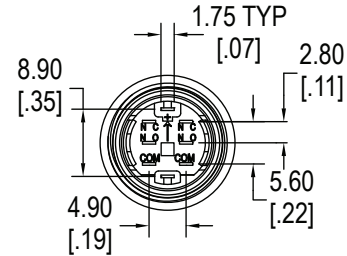


DPDT

Panel Cut-Out



Bottom View



LED Characteristics

LED Ratings		Color							Units
		R	Y	G	B	O	W		
Reverse Voltage	V_R	5	5	5	5	5	5	V	
Forward Current (avg)	I_F	25	25	30	30	25	30	mA	
Forward Current (peak)	I_{FS}	120	120	160	160	120	160	mA	
Reverse Current $V_R = 5V$	I_R	10	10	10	10	10	10	μA	
Power Dissipation	P_T	80	80	120	120	80	120	mW	
Operating & Storage Temperature	T_A	-25 ~ +70						C°	
Forward Voltage (typ) $I_F = 20mA$	V_F	2.1	2.1	3.3	3.3	2.0	3.0	V	
Forward Voltage (max) $I_F = 20mA$	V_F	2.4	2.5	3.6	3.6	2.3	3.6	V	
Wavelength at Peak Emission $I_F = 20mA$	λ_P	635	592	516	463	606	n/a	nm	
Spectral Line Half-Width $I_F = 20mA$	$\Delta\lambda$	14	12	28	20	12	n/a	nm	
Luminous Intensity, $I_F = 20mA$	LI	120	120	170	100	120	700	mcd	
Viewing Angle	Θ	145	145	145	145	145	145	deg	