



TAOGLAS®



Datasheet

Part No:
CGGP.25.4.E.02

Description:
GPS/GLONASS/Galileo Patch Antenna 25*25*4mm

Features:
GPS/Galileo L1 and GLONASS G1 Operation
1575.42MHz and 1602MHz Resonance
Dimensions: 25*25*4mm
Pin type Ceramic Patch Antenna
Automotive TS16949 Production and Quality Approved
RoHS & REACH Compliant

1.	Introduction	3
2.	Specifications	4
3.	Antenna Characteristics	5
4.	Antenna Radiation Pattern	7
5.	Axial Ratio	10
6.	Mechanical Drawing	11
7.	PCB Footprint Recommendation	13
8.	Evaluation Board	14
9.	Packaging	16
	Changelog	17

Taoglas makes no warranties based on the accuracy or completeness of the contents of this document and reserves the right to make changes to specifications and product descriptions at any time without notice. Taoglas reserves all rights to this document and the information contained herein. Reproduction, use or disclosure to third parties without express permission is strictly prohibited.



1. Introduction



The CGGP.25.4.E.02 is a 25*25*4 mm embedded ceramic GPS/GLONASS/Galileo Patch antenna. It features a double resonance design at GPS/Galileo and GLONASS bands, 1575.42 MHz and 1602MHz respectively. This antenna has been tuned for a center position on a 70mm *70mm ground plane. Return loss is -28dB at 1575.42MHz and -22dB at GLONASS. Overall, the antenna has greater than 60% efficiency.

For further optimization to customer specific device environments where positioning is off center or a different ground-plane size, custom tuned patch antennas can be supplied. For more information please contact your regional Taoglas customer support team.

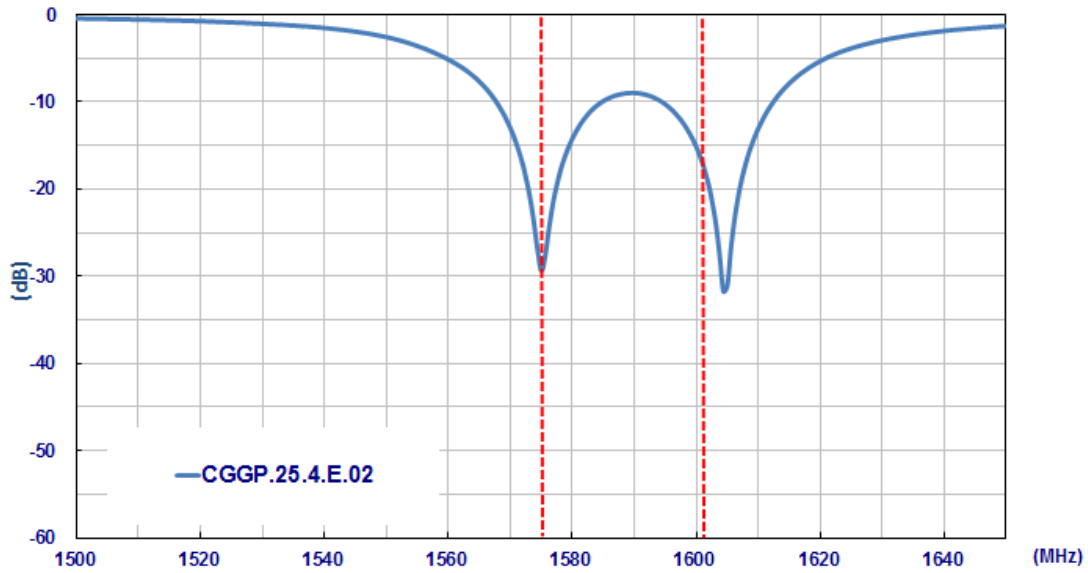
2. Specifications

Electrical		
Application Bands	GPS/GALILEO	GLONASS
Operation Frequency	1575.42 ±1.023MHz	1602±5MHz
VSWR	1.8 max	
Efficiency	88.02%	88.63%
Peak Gain	5.39dBi	5.46dBi
Axial Ratio	~10	~9
Polarization	Linear	
Impedance	50 ohms	
Mechanical		
Ceramic Dimension	25x25x4 mm	
Pin Diameter	Ø0.9 mm	
Pin Length	2.4mm	
Weight	9.5g	
Environmental		
Operation Temperature	-40°C to 105°C	
Moisture Sensitivity	Level 3	

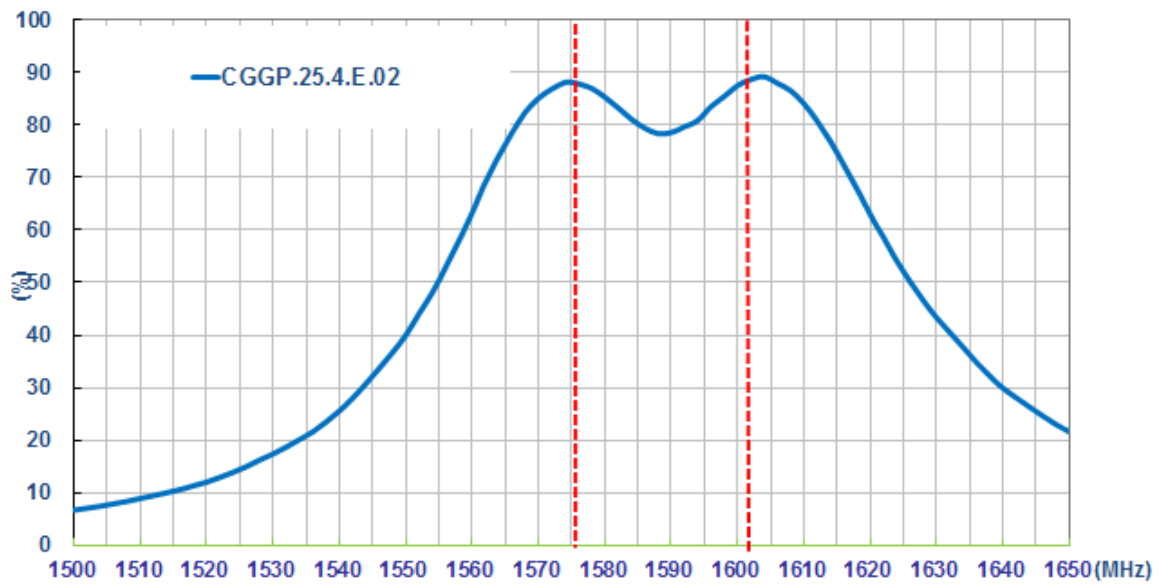
* Antenna properties were measured with the antenna mounted on 70*70mm Ground Plane

3. Antenna Characteristics

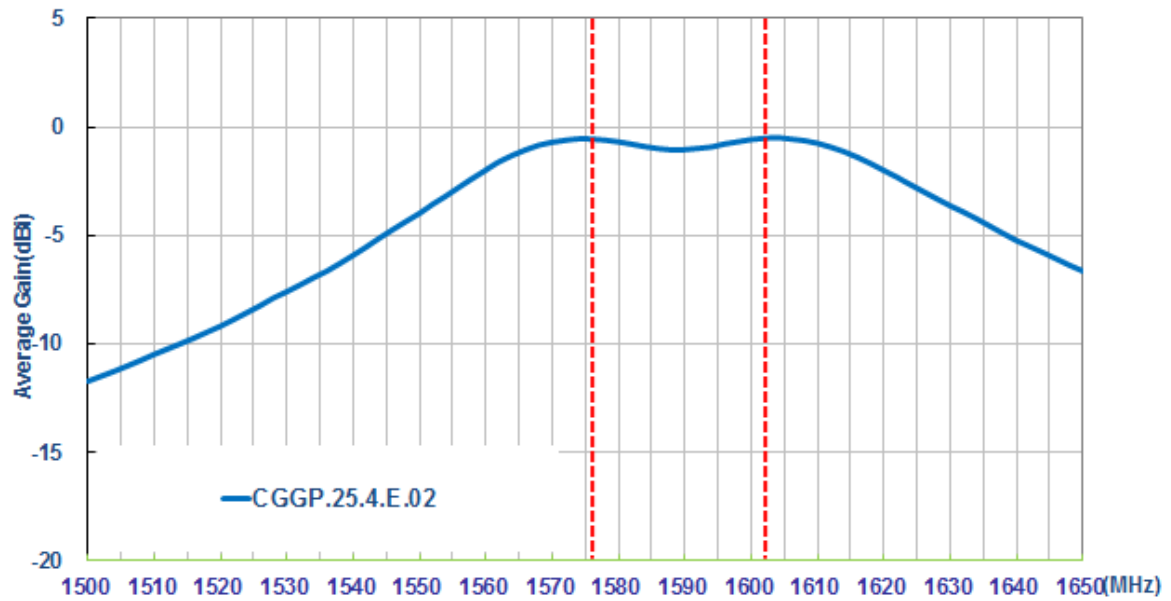
3.1 Return Loss



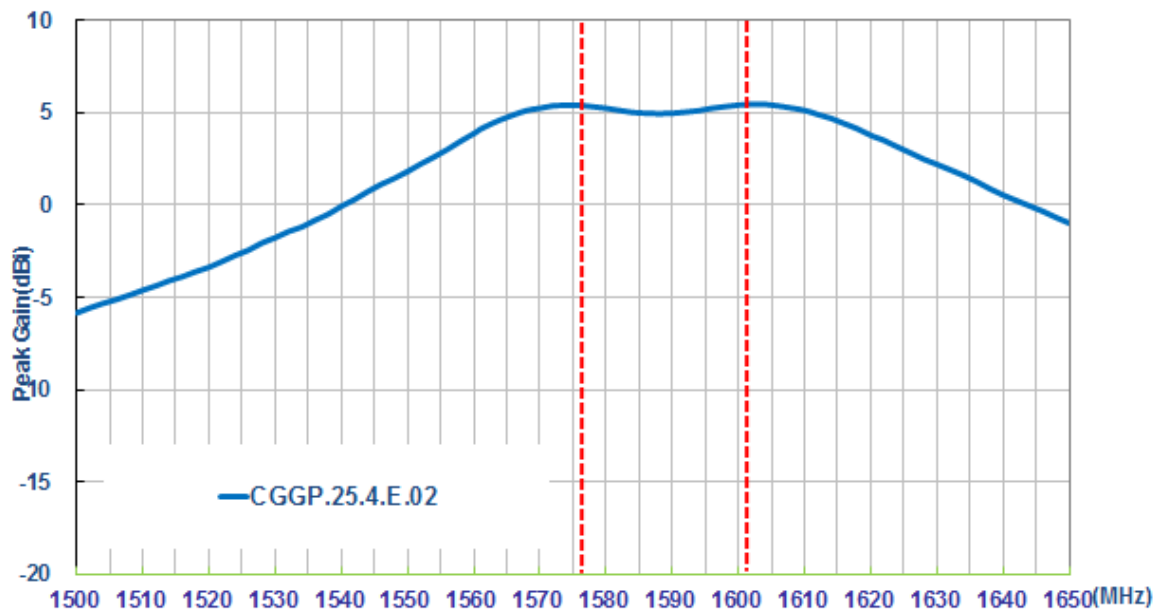
3.2 Efficiency



3.3 Average Gain



3.4 Peak Gain



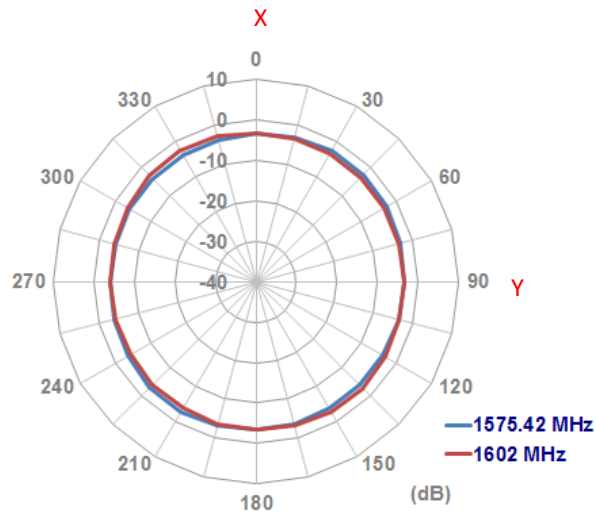
4. Antenna Radiation Pattern

4.1 Measurement Setup

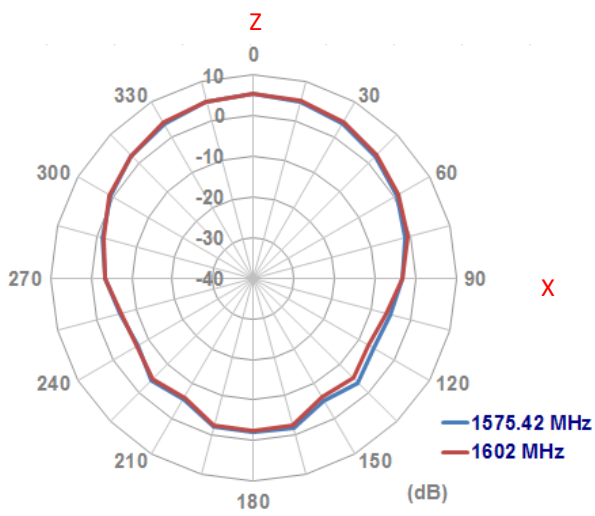


4.2 2D Radiation Pattern

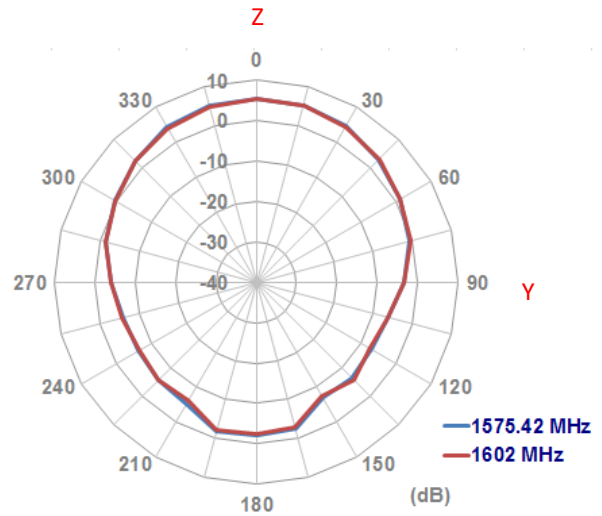
XY Plane



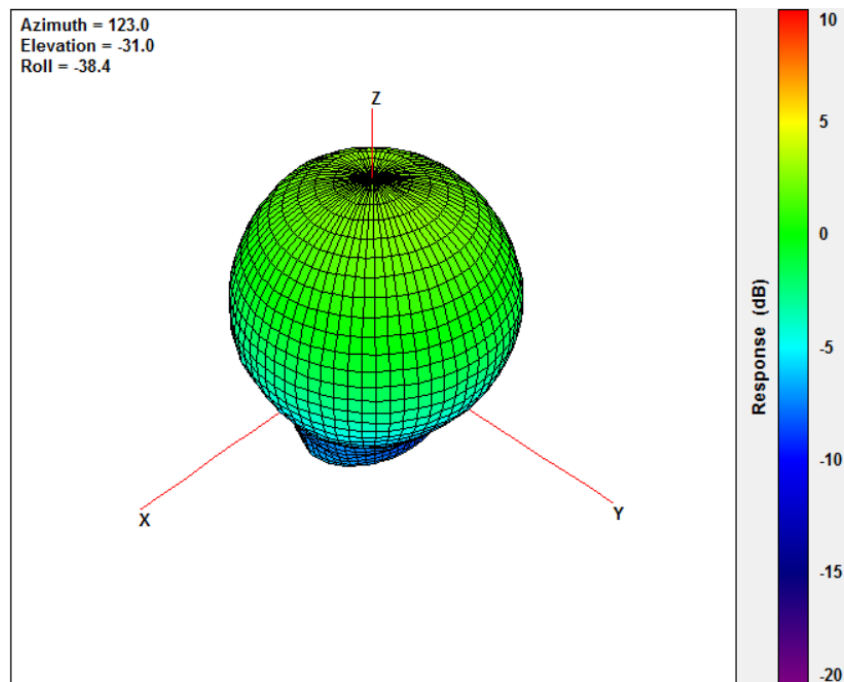
XZ Plane



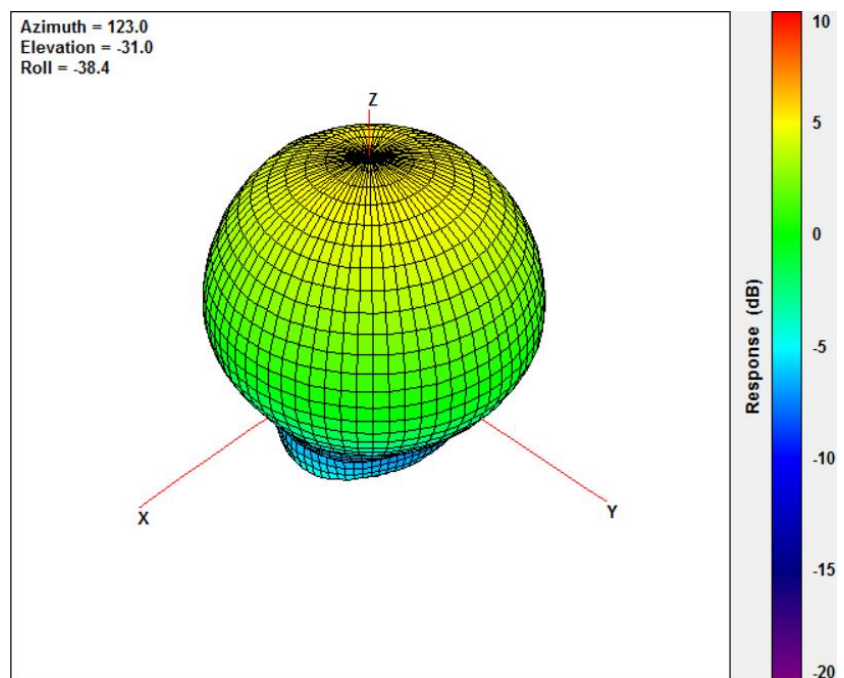
YZ Plane



4.3 3D Radiation Pattern

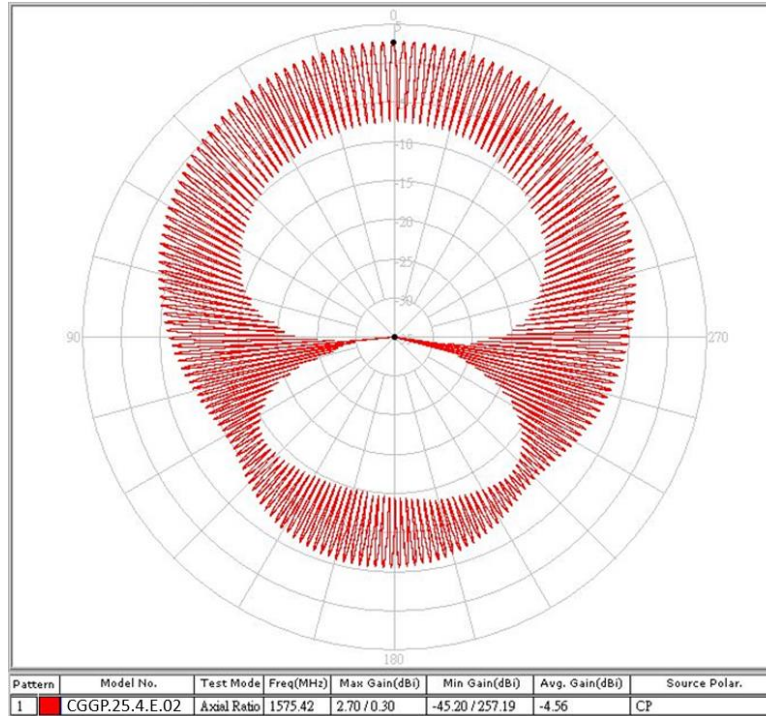


1575.42MHz

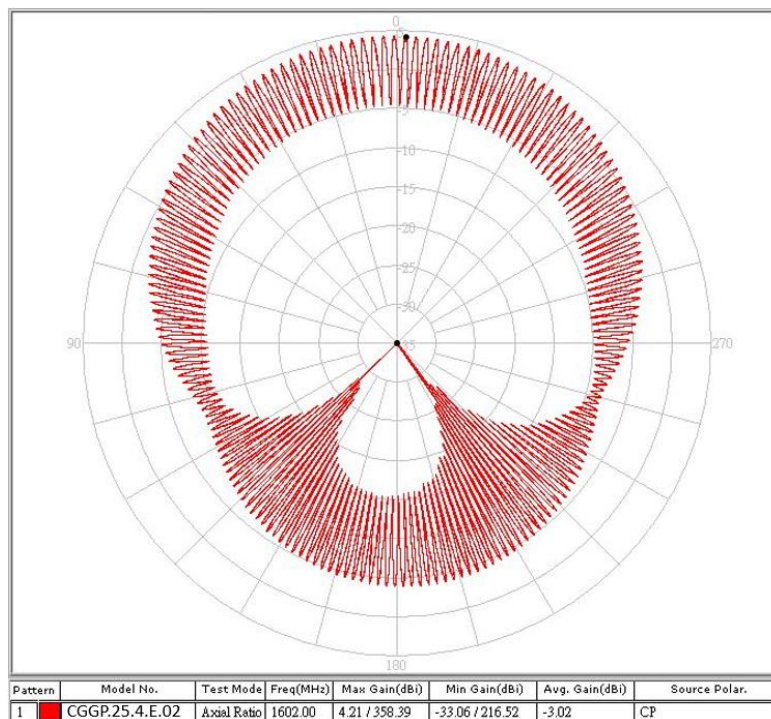


1602MHz

5. Axial Ratio



1575.42 MHz



1602MHz

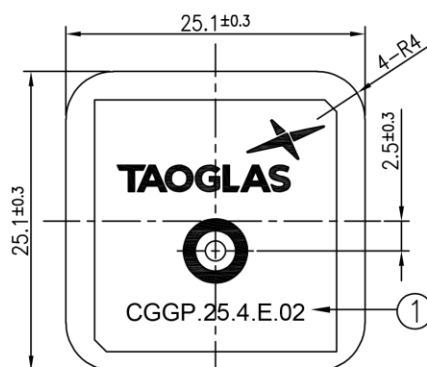
6. Mechanical Drawing (Unit: mm)

ISO NO.: EDW-18-8-0703

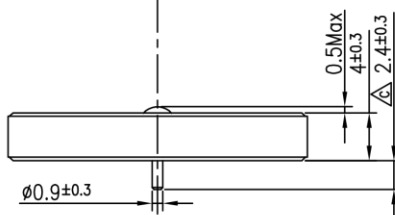
STATE: Release

NOTES: 1. Double sided adhesive area 2. Soldermask area

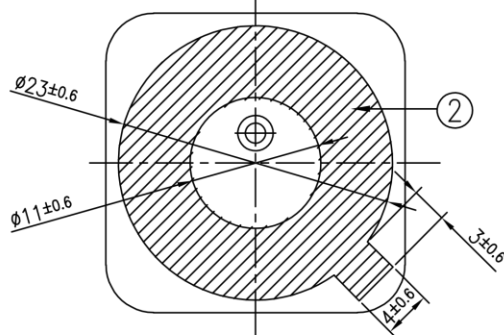
REV.	DESCRIPTION	ENG.	APPROVED	DATE
A	Initial Design	Eva	Paul	2018/09/06
B	Replace the new LOGO EDW-18-8-259	Bonnie	Haley	2019/04/08
C	EC-21-08-010	Mickey	Buluto	2021/03/02



Top View



Side View

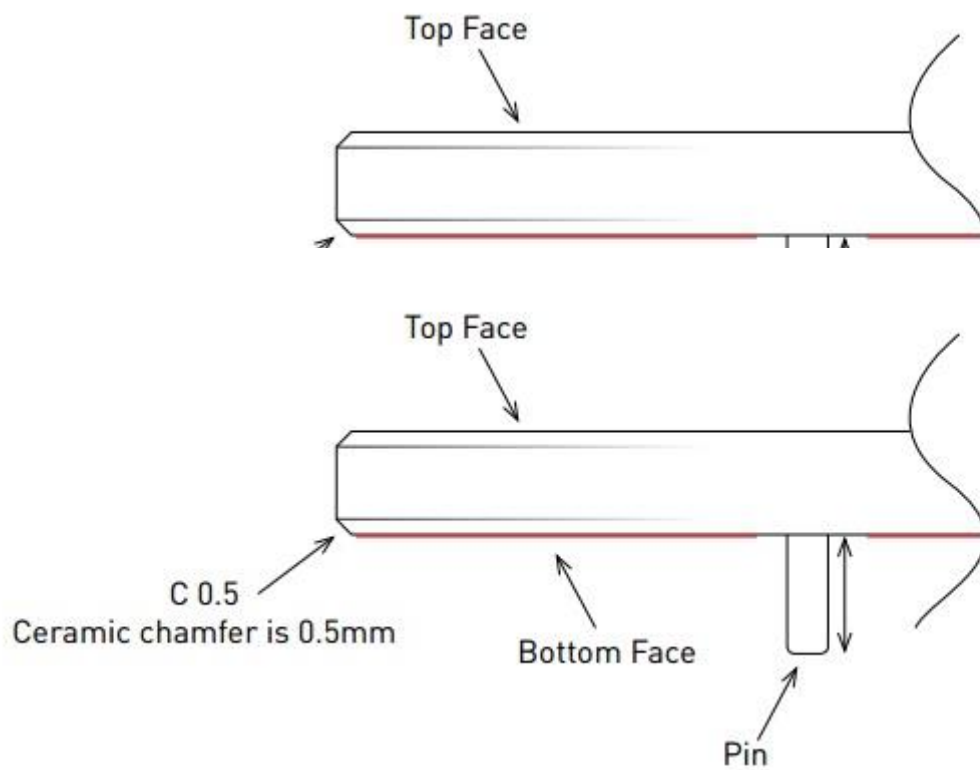


Bottom View

	Name	P/N	Material	Finish	QTY
1	Patch	001518H180000A	Ceramic	Clear	1
2	Double sided Adhesive	001518H180000A	NIITO 5015	White Liner	1

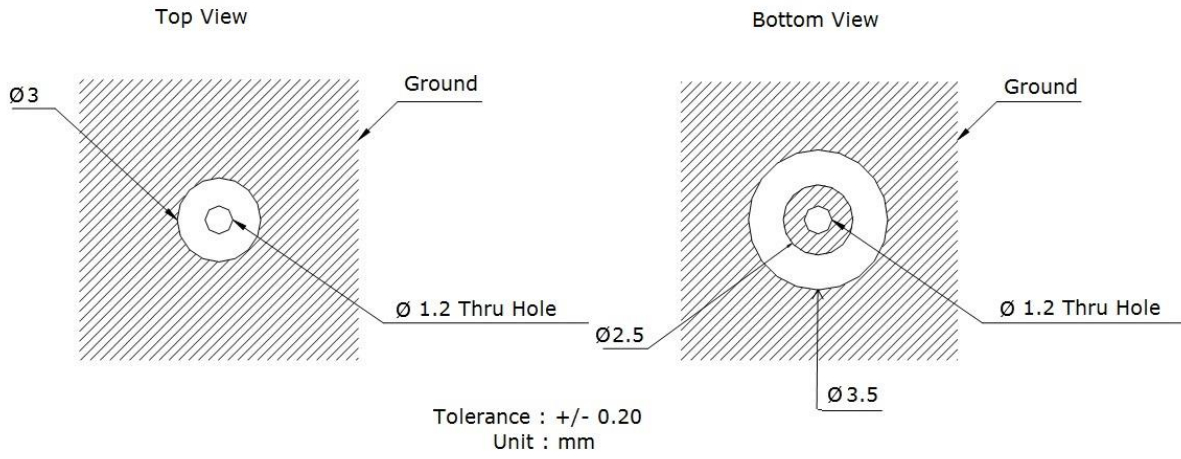
APPROVED BY: Wayne	TW Design Centre <small>This drawing and its inherent design concepts are property of Taoglas. Not to be copied or given to third parties without the written consent of Taoglas.</small>
CHECK BY: Aine	
DRAWN BY: Haley	
DATE: 2015/08/24	
UNLESS OTHERWISE SPECIFIED TOLERANCES ON: XX±0.5 X±0.3 XX±0.2 XX±0.1 XXX±0.05	TITLE : GPS/GLONASS Dual-Band Patch Antenna 25*25*4mm
THIRD ANGLE PROJECTION	PART NO. : CGGP.25.4.E.02
UNIT: mm	SCALE: 2:1
PAGES: 1/1	REV. C

Adhesive Thickness

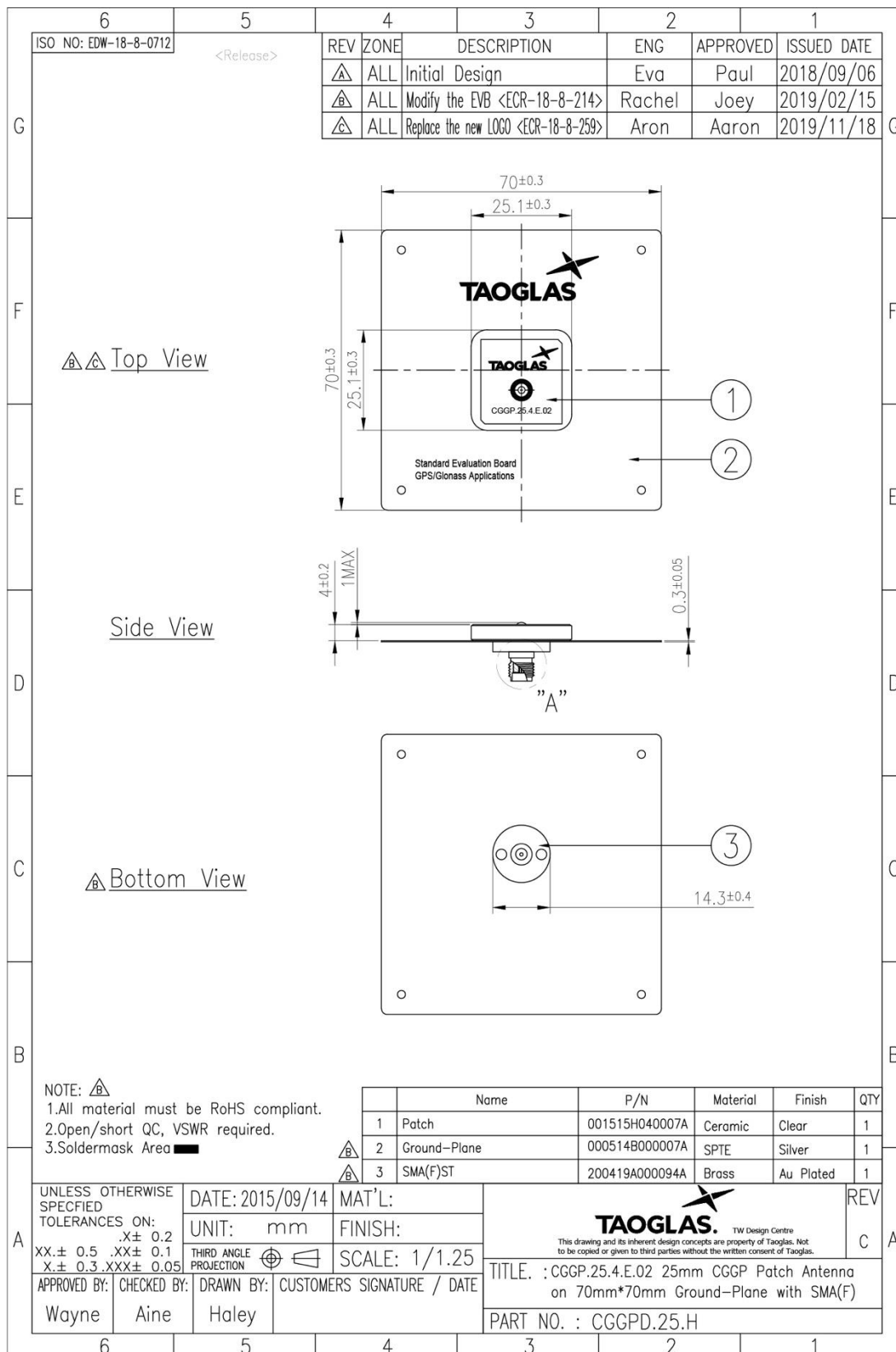


Red Line shows the adhesive without Liner – thickness 0.08-0.1mm

7. PCB Footprint Recommendation



8. Evaluation Board (CGGPD.25.H)

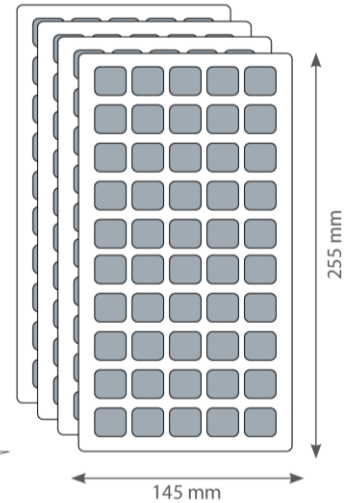


9. Packaging

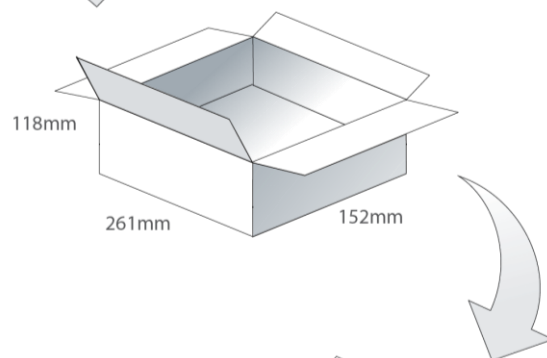
CGGP.25.4.E.02

Packaging Specifications

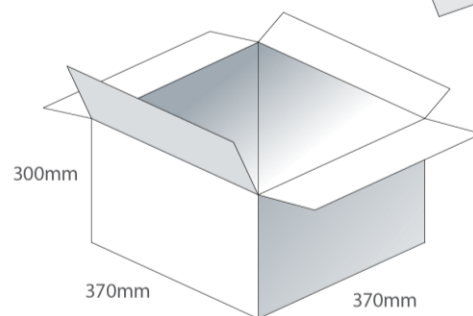
50 pcs CGGP.25.4.E.02 per tray
 Tray Dimensions - 255*145*32mm
 Weight - 519g



200 pcs CGGP.25.4.E.02 per Inner Carton
 Inner Carton Dimensions - 261*152*118mm
 Weight - 2.2kg



800 pcs CGGP.25.4.E.02 per Carton
 Carton Dimensions - 370*370*300mm
 Weight - 9.3kg



Changelog for the datasheet

SPE-16-8-018 – CGGP.25.E.02

Revision: E (Current Version)	
Date:	2022-02-17
Changes:	Updated Packaging Graphic
Changes Made by:	Paul Doyle

Previous Revisions

Revision: D	
Date:	2021-06-12
Changes:	Updated Pin Length to 2.4mm Updated Drawing
Changes Made by:	Dan Cantwell

Revision: C	
Date:	2020-11-19
Changes:	Updated to new format Added Moisture Sensitivity Level 3 to Environmental Specifications
Changes Made by:	Dan Cantwell

Revision: B	
Date:	2019-11-15
Changes:	Updated Images Reference ECR-18-8-259
Changes Made by:	Russell Meyler

Revision: A (Original First Release)	
Date:	2016-09-03
Notes:	
Author:	Jack Conroy



TAOGLAS®

www.taoglas.com

