

**Application:**

CGB, CGD and CGE cord and cable fittings with neoprene bushing are for use with portable cords and Types MV (unarmored), PLTC, SE (round), TC and UF cables. CGB, CGD and CGE cord and cable fittings are installed to:

- provide means for passing a cord, cable (unarmored) or flexible conduit into an enclosure, through a bulkhead or into a rigid conduit
- form an environmental seal for cord or unarmored round cables
- form a secure connection or termination for flexible cord, cable (unarmored), or flexible conduit

**Features:**

- Rugged construction protects cord and cable from damage.
- Compact, permitting close grouping of several cords and/or cables
- Tightening one nut makes watertight seal
- Large range of NPT sizes for use with any conduit system
- Available for straight, 45° or 90° entrance
- Many combinations of gland nuts and bushings can be used to make up connectors, provided parts of the same form are used together

**Standard Materials:**

- CGB series – Form A through Form D bodies and gland nuts – steel. Form E & F bodies and gland nuts – *Feraloy*® iron alloy
- CGD & CGE series – all bodies are *Feraloy* iron alloy. Form A through Form D gland nuts – steel. Form E & F gland nuts – *Feraloy* iron alloy.
- Bushing – neoprene

**Standard Finishes:**

- Steel – zinc electroplate with chromate finish coat
- *Feraloy* – electrogalvanized and aluminum acrylic paint

**Size Ranges:**

- Cable O.D. – .125" to 2.500"
- NPT thread – 3/8" to 3"

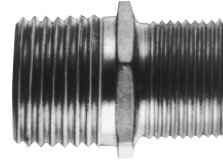
**Certifications and Compliances:**

- UL Standard: 514B
- NEC: Class I, Division 2\*; Class II, Class III
- Wet locations
- CSA Standard: C22.2 No. 18, 25
- CEC: Class II, Division 1, Groups E,F,G; Class II, Division 2, Groups F,G; Class III

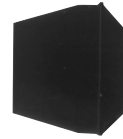
**Complete with gland nut and Neoprene bushing**



**Body only**



**Neoprene bushing**



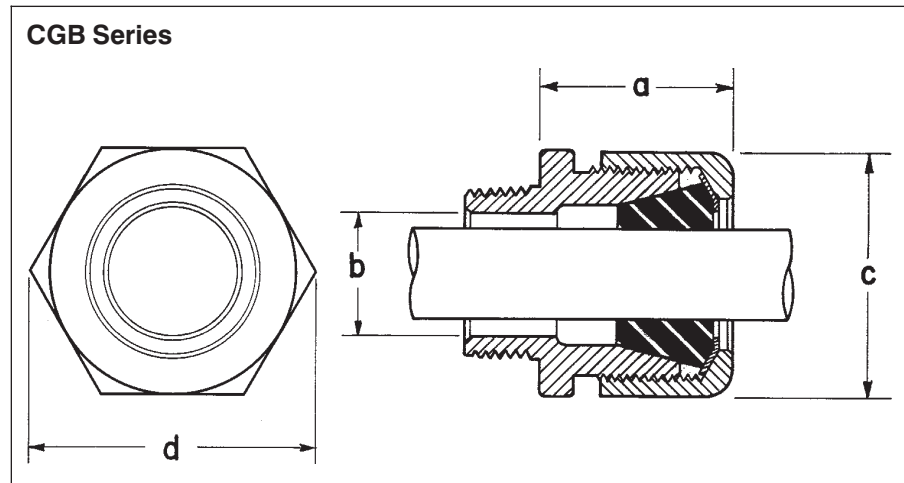
**CGB With Gland Nut and Tapered Neoprene Bushing ‡**

Male Thread NPT Trade Size	Form	Cord Range Dia.	Inside Body Dia.	Complete with Gland Nut & Neoprene Bushing ◆ Cat. #	Body Only Cat. #	Neoprene Bushing Cat. #
3/8	A	.125 to .250	.469	CGB3814	CGB:17123B	BUSH214
3/8	A	.250 to .375	.469	CGB3816	CGB:17123B	BUSH216
3/8	A	.375 to .437	.469	CGB3817	CGB:17123B	BUSH217
3/8	B	.125 to .250	.500	CGB3892	CGB:4315A	BUSH92
3/8	B	.250 to .375	.500	CGB3893	CGB:4315A	BUSH93
3/8	B	.375 to .500†	.500	CGB3894	CGB:4315A	BUSH94
1/2	A	.125 to .250	.469	CGB114§	CGB:17122B	BUSH214
1/2	A	.250 to .375	.469	CGB116§	CGB:17122B	BUSH216
1/2	A	.375 to .437	.469	CGB117§	CGB:17122B	BUSH217
1/2	B	.125 to .250	.625	CGB192§	CGB:0104355	BUSH92
1/2	B	.250 to .375	.625	CGB193§	CGB:0104355	BUSH93
1/2	B	.375 to .500	.625	CGB194§	CGB:0104355	BUSH94
1/2	B	.500 to .625	.625	CGB195§	CGB:0104355	BUSH05
1/2	C	.625 to .750†	.625	CGB196§	CGB:1702A	BUSH96
1/2	C	.750 to .875†	.625	CGB197§	CGB:1702A	BUSH97
3/4	B	.125 to .250	.688	CGB292§	CGB:0104438§	BUSH92
3/4	B	.250 to .375	.688	CGB293§	CGB:0104438§	BUSH93
3/4	B	.375 to .500	.688	CGB294§	CGB:0104438§	BUSH94
3/4	B	.500 to .625	.688	CGB295§	CGB:0104438§	BUSH05
3/4	C	.625 to .750†	.750	CGB296§	CGB:4318A	BUSH96
3/4	C	.750 to .875†	.750	CGB297§	CGB:4318A	BUSH97
3/4	D	.875 to 1.000†	.813	CGB298§	CGB:4320A	BUSH98

Continued on page 65.

**Dimensions (see next page)**

\* ‡ † ◆ For description of symbols, see page 65.



# Cord and Cable Fittings

**Straight Body Male Thread**  
**Sizes 3/8" – 3"**

Cl. I, Div. 2\*, Groups A,B,C,D  
 Cl. II, DIV. 1, Groups E,F,G  
 Cl. II, Div. 2, Groups F,G  
 Cl. III  
 Wet Locations

**5F**

**5F** Cable and Cord Fittings

Gland nut

Wire mesh grip



Gland Nut Cat. #	Wire Mesh Grip ♦ Cat. #
NUT217	
NUT217	
NUT217	
NUT94	
NUT94	
NUT94	RPE417-115
NUT217	
NUT217	
NUT217	
NUT94	
NUT94	
NUT94	RPE417-115
NUT94	RPE417-116
NUT95	RPE417-117
NUT95	RPE421-119
NUT94	
NUT94	
NUT94	RPE417-115
NUT94	RPE417-116
NUT95	RPE417-117
NUT95	RPE421-119
NUT98	16676N

## Dimensions (see previous page for line art)

### CGB assembly

Thread		a	b	c	d
Size	Form				
3/8	A	1 1/16	15/32	7/8	7/8
3/8	B	1 5/16	1/2	1 3/16	1 3/16
1/2	A	1	15/32	7/8	1 3/16
1/2	B	1 5/16	5/8	1 3/16	1 9/32
1/2	C	1 3/4	5/8	1 5/8	1 21/32
3/4	B	1 3/8	1 1/16	1 3/16	1 13/32
3/4	C	1 3/4	3/4	1 5/8	1 1/4
3/4	D	2 1/2	1 3/16	2 1/4	2 1/8
1	B	1 3/8	1 1/16	1 3/16	1 5/8
1	C	1 1 1/16	31/32	1 5/8	1 7/8
1	D	2 3/8	1 1/32	2 1/4	2 3/8
1 1/4	D	2 5/16	1 1/4	2 1/4	2 1/4
1 1/4	E	2 5/8	1 1/4	3 1/8	3
1 1/2	D	2 5/16	1 7/16	2 1/4	2 1/4
1 1/2	E	2 5/8	1 7/16	3 1/8	3
2	E	2 5/8	1 29/32	3 1/8	3
2	F	2 9/16	1 7/8	3 7/8	3 3/4
2 1/2	E	2 5/8	2 1/16	3 1/8	3 1/8
2 1/2	F	2 5/8	2 5/16	3 7/8	3 3/4
3	F	2 5/8	2 3/4	3 7/8	3 3/4

## PORTABLE CORD SELECTION CHART\*\*

2 conductors	Cord Type	SV0, SV, SVT	SJ, SJ0, SJT, SJT0			S, S0, ST, ST0															
	Cord Size	#18	#18	#16	#14	#18	#16	#14	#12	#10	#8	#6	#4	#3	#2	#1	#1/0	#2/0	#3/0	#4/0	#250
	Cord Diameter, prox.	.250	.305	.330	.365	.380	.400	.540	.615	.675	.810	.940	1.080	1.170	1.270	1.440	1.520	1.650	1.770	1.920	2.160

3 conductors	Cord Type	SV0, SV, SVT	SJ, SJ0, SJT, SJT0			S, S0, ST, ST0															
	Cord Size	#18	#18	#16	#14	#18	#16	#14	#12	#10	#8	#6	#4	#3	#2	#1	#1/0	#2/0	#3/0	#4/0	#250
	Cord Diameter, prox.	.255	.325	.350	.385	.390	.420	.565	.645	.710	.850	1.000	1.070	1.240	1.340	1.510	1.650	1.750	1.800	2.070	2.390

4 conductors	Cord Type	CORD TYPE SJ, SJ0, SJT, SJT0				S, S0, ST, ST0													
	Cord Size	#18	#16	#14	#18	#16	#14	#12	#10	#8	#6	#4	#3	#2	#1	#1/0	#2/0	#3/0	#4/0
	Cord Diameter, prox.	.355	.385	.425	.420	.450	.610	.700	.765	.970	1.100	1.270	1.340	1.480	1.580	1.790	1.930	2.070	2.260

5 conductors	Cord Type	CORD TYPE S, S0, ST, ST0						
	Cord Size	#18	#16	#14	#12	#10	#8	#6
	Cord Diameter, prox.	.500	.540	.695	.760	.830	1.060	1.180

\*\* Cable diameters are approximate and may vary depending on the manufacturer. Check cord/cable manufacturer for actual diameters.

† Remove sufficient outer covering of cord or cable to pass conductors through the connector body.

‡ A wide variety of connectors may be made up using combinations of bodies, gland nuts and Neoprene bushings providing all parts are of the same form.

◆ Order wire mesh grip separately.

§ Available in copper-free aluminum. To order, add suffix SA to Cat. No.

\* May be used in hazardous locations with specific cords and cables when installed in accordance with NEC/CEC requirements.

# 5F

## Cord and Cable Fittings

### Straight Body Male Thread Sizes 3/8" – 3"

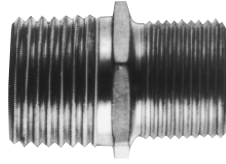
Cl. I, Div. 2\*, Groups A,B,C,D  
Cl. II, Div. 1, Groups E,F,G  
Cl. II, Div. 2, Groups F,G  
Cl. III  
Wet Locations

Cable and Cord Fittings  
5F

Complete with gland nut and Neoprene bushing



Body only



Neoprene bushing



Gland nut



**CGB With Gland Nut and Tapered Neoprene Bushing†**

Wire mesh grip



Thread Size	Form	Cord Range Dia.	Inside Body Dia.	Complete with Neoprene Bushing ♦ Cat. #	Body Only Cat. #	Neoprene Bushing Cat. #	Gland Nut Cat. #	Wire Mesh Grip ♦ Cat. #
1	B	.250 to .375	.688	CGB393§	CGB:19478A	BUSH93	NUT94	
1	B	.375 to .500	.688	CGB394§	CGB:19478A	BUSH94	NUT94	RPE417-115
1	C	.500 to .625	.969	CGB395§	CGB:4319A	BUSH95	NUT95	RPE417-129
1	C	.625 to .750	.969	CGB396§	CGB:4319A	BUSH96	NUT95	RPE417-117
1	C	.750 to .875	.969	CGB397§	CGB:4319A	BUSH97	NUT95	RPE421-119
1	C	.875 to 1.000†	.969	CGB3239§	CGB:4319A	BUSH239	NUT95	RPE421-120
1	D	.875 to 1.000†	1.031	CGB398§	CGB:4321A	BUSH98	NUT98	16676N
1	D	1.000 to 1.188†	1.031	CGB399§	CGB:4321A	BUSH99	NUT98	RPE421-121
1	D	1.188 to 1.375†	1.031	CGB3911§	CGB:4321A	BUSH911	NUT98	RPE433-122
1¼	D	.875 to 1.000	1.250	CGB498	CGB:4322A	BUSH98	NUT98	16676N
1¼	D	1.000 to 1.188	1.250	CGB499	CGB:4322A	BUSH99	NUT98	RPE421-121
1¼	D	1.188 to 1.375†	1.250	CGB4911	CGB:4322A	BUSH911	NUT98	RPE433-122
1¼	E	1.375 to 1.625†	1.250	CGB4913	CGB:5472B	BUSH913	NUT913	RPE433-123
1¼	E	1.625 to 1.875†	1.250	CGB4915	CGB:5472B	BUSH915	NUT913	17317N
1½	D	.875 to 1.000	1.438	CGB598	CGB:5397B	BUSH98	NUT98	16676N
1½	D	1.000 to 1.188	1.438	CGB599	CGB:5397B	BUSH99	NUT98	RPE421-121
1½	D	1.188 to 1.375	1.438	CGB5911	CGB:5397B	BUSH911	NUT98	RPE433-122
1½	E	1.375 to 1.625†	1.438	CGB5913	CGB:5473B	BUSH913	NUT913	RPE433-123
1½	E	1.625 to 1.875†	1.438	CGB5915	CGB:5473B	BUSH915	NUT913	17317N
2	E	1.375 to 1.625	1.875	CGB6913	CGB:5474B	BUSH913	NUT913	RPE433-123
2	E	1.625 to 1.875†	1.875	CGB6915	CGB:5474B	BUSH915	NUT913	17317N
2	F	1.875 to 2.188†	1.875	CGB6917	CGB:5475B	BUSH917	NUT917	17345N ♦ ♦
2	F	2.188 to 2.500†	1.875	CGB6920	CGB:5475B	BUSH917	NUT917	16772N ♦ ♦ ♦
2½	E	1.375 to 1.625	2.062	CGB7913	CGB:1278B	BUSH913	NUT913	RPE433-123
2½	E	1.625 to 1.875	2.062	CGB7915	CGB:1278B	BUSH915	NUT913	17317N
2½	F	1.875 to 2.188	2.313	CGB7917		BUSH917		17345N ♦ ♦
2½	F	2.188 to 2.500	2.313	CGB7920		BUSH920		16772N ♦ ♦ ♦
3	F	1.875 to 2.188	2.750	CGB8917		BUSH917		17345N ♦ ♦
3	F	2.188 to 2.500	2.750	CGB8920		BUSH920		16772N ♦ ♦ ♦

**NOTE: Use CGFP series on page 73 for larger sizes.**

See page 64 for dimensions.

§ Available in copper-free aluminum. To order, add suffix SA to Cat. No.  
\* May be used in hazardous locations with specific cords and cables when installed in accordance with NEC/CEC requirements.  
† Remove sufficient outer covering of cord or cable to pass conductors through the connector body.

‡ A wide variety of connectors may be made up using combinations of bodies, gland nuts and Neoprene bushings providing all parts are of the same form.

◆ Order wire mesh grip separately.  
**Diameter Cord Range**  
**Wire Mesh Grip**  
◆◆ 1.875 to 2.000  
◆◆◆ 2.000 to 2.250  
**Neoprene Bushing**  
1.875 to 2.188  
2.188 to 2.500

# 5F

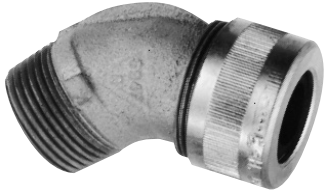
## Cord and Cable Fittings

45° Angle Body Male Thread  
 Sizes 1/2" - 3/4"

Cl. I, Div. 2\*, Groups A,B,C,D  
 Cl. II, Div. 1, Groups E,F,G  
 Cl. II, Div. 2, Groups F,G  
 Cl. III  
 Wet Locations\*

Cable and Cord Fittings  
**5F**

Complete with gland nut and Neoprene bushing



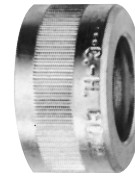
Body only



Neoprene bushing



Gland nut



Wire mesh grip



### CGD 45° With Gland Nut and Tapered Neoprene Bushing ‡

Thread Size	Form	Cord Range Dia.	Inside Body Dia.	Complete with Gland Nut & Neoprene Bushing ♦ Cat. #	Body Only Cat. #	Neoprene Bushing Cat. #	Gland Nut Cat. #	Wire Mesh Grip ♦ Cat. #
1/2	B	.125 to .250	.500	CGD192	CGD:3832A	BUSH92	NUT94	
1/2	B	.250 to .375	.500	CGD193	CGD:3832A	BUSH93	NUT94	
1/2	B	.375 to .500†	.500	CGD194	CGD:3832A	BUSH94	NUT94	RPE417-115
1/2	B	.500 to .625†	.500	CGD195	CGD:3832A	BUSH05	NUT94	RPE417-116
1/2	C	.625 to .750†	.500	CGD196	CGD:5636B	BUSH96	NUT95	RPE417-117
1/2	C	.750 to .875†	.500	CGD197	CGD:5636B	BUSH97	NUT95	RPE421-119
3/4	B	.125 to .250	.688	CGD292	CGD:3967B	BUSH92	NUT94	
3/4	B	.250 to .375	.688	CGD293	CGD:3967B	BUSH93	NUT94	
3/4	B	.375 to .500	.688	CGD294	CGD:3967B	BUSH94	NUT94	RPE417-115
3/4	B	.500 to .625	.688	CGD295	CGD:3967B	BUSH05	NUT94	RPE417-116
3/4	C	.625 to .750†	.688	CGD296	CGD:5643B	BUSH96	NUT95	RPE417-117
3/4	C	.750 to .875†	.688	CGD297	CGD:5643B	BUSH97	NUT95	RPE421-119

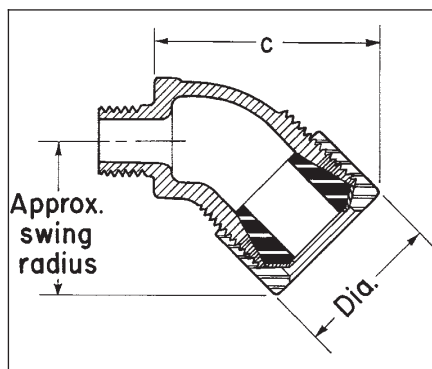
\* May be used in hazardous locations with specific cords and cables when installed in accordance with NEC/CEC requirements.

† Remove sufficient outer covering of cord or cable to pass conductors through the connector body.

‡ A wide variety of connectors may be made up using combinations of bodies, gland nuts and Neoprene bushings, providing all parts are of the same form.

♦ Order wire mesh grip separately.

### Dimensions



### CGD assembly

Cat. #	Approx. Swing Radius	Dia.	c
CGD192	1 3/16	1 3/16	1 11/16
CGD193	1 3/16	1 3/16	1 11/16
CGD194	1 3/16	1 3/16	1 11/16
CGD195	1 3/16	1 3/16	1 11/16
CGD196	1 11/16	1 5/8	2 1/16
CGD197	1 11/16	1 5/8	2 1/16
CGD292	1 1/4	1 9/64	1 5/16
CGD293	1 1/4	1 9/64	1 5/16
CGD294	1 1/4	1 1/8	1 5/16
CGD295	1 1/4	1 1/8	1 5/16
CGD296	1 11/16	1 5/8	2
CGD297	1 11/16	1 5/8	2

# Cord and Cable Fittings

90° Angle Body Male Thread  
 Sizes 1/2" - 1"

Cl. I, Div. 2\*, Groups A,B,C,D  
 Cl. II, Div. 1, Groups E,F,G  
 Cl. II, Div. 2, Groups F,G  
 Cl. III  
 Wet Locations\*

5F

5F  
 Cord Fittings



Body Only

Optional Sealing Gasket§  
 Optional Locknut§



Complete with gland nut, Neoprene bushing, optional locknut and sealing gasket§



Neoprene Bushing

## CGE 90° With Gland Nut and Tapered Neoprene Bushing



Gland Nut



Optional Wire Mesh Grip ◆

Thread Size	Form	Cord Range Dia.	Inside Body Dia.	Complete with Gland Nut & Neoprene Bushing ◆ Cat. #	Wire Mesh Grip ◆ Cat. #
1/2	B	.125 to .250	.531	CGE192	
1/2	B	.250 to .375	.531	CGE193	
1/2	B	.375 to .500	.531	CGE194	RPE417-115
1/2	B	.500 to .625†	.531	CGE195	RPE417-116
1/2	C	.625 to .750†	.500	CGE196	RPE417-117
1/2	C	.750 to .875†	.500	CGE197	RPE421-119
3/4	B	.125 to .250	.688	CGE292	
3/4	B	.250 to .375	.688	CGE293	
3/4	B	.375 to .500	.688	CGE294	RPE417-115
3/4	B	.500 to .625	.688	CGE295	RPE417-116
3/4	C	.625 to .750†	.688	CGE296	RPE417-117
3/4	C	.750 to .875†	.688	CGE297	RPE421-119
1	C	.500 to .625	.906	CGE395	RPE417-129
1	C	.625 to .750	.906	CGE396	RPE417-117
1	C	.750 to .875	.906	CGE397	RPE421-119
1	C	.875 to 1.000†	.906	CGE3239	RPE421-120
1	D	.875 to 1.000†	.906	CGE398	16676N
1	D	1.000 to 1.188†	.906	CGE399	RPE421-121
1	D	1.188 to 1.375†	.906	CGE3911	RPE433-122

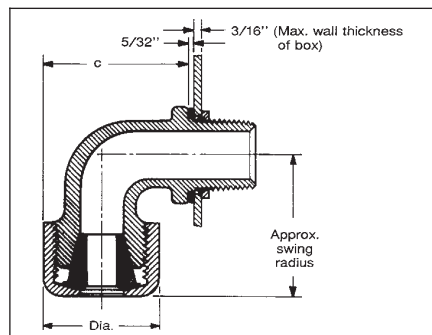
§1/2" and 3/4" sizes can be furnished with sealing gasket and locknut. To order, add suffix "SG" to cat. no. For example: CGE192-SG. Application, features, materials and finishes are detailed on page 68.

\* May be used in hazardous locations with specific cords and cables when installed in accordance with NEC/CEC requirements.

† Remove sufficient outer covering of cord or cable to pass conductors through the connector body.

◆ Order wire mesh grip separately.  
 Diameter Cord Range  
 Wire Mesh Grip

## Dimensions



## CGE assembly

Cat. #	Approx. Swing Radius	Dia.	c	Cat. #	Approx. Swing Radius	Dia.	c
CGE192	1 9/16	1 3/16	1 7/16	CGE396	2 3/16	1 5/8	2 3/32
CGE193	1 9/16	1 3/16	1 7/16	CGE397	2 3/16	1 5/8	2 3/32
CGE194	1 9/16	1 3/16	1 7/16	CGE398	2 5/8	2 1/4	2 21/32
CGE195	1 9/16	1 3/16	1 7/16	CGE399	2 5/8	2 1/4	2 21/32
CGE196	1 7/8	1 5/8	2	CGE3239	2 3/16	1 5/8	2 3/32
CGE197	1 7/8	1 5/8	2	CGE3911	2 5/8	2 1/4	2 21/32
CGE292	1 5/8	1 3/16	1 13/32				
CGE293	1 5/8	1 3/16	1 13/32				
CGE294	1 5/8	1 3/16	1 13/32				
CGE295	1 5/8	1 3/16	1 13/32				
CGE296	2	1 5/8	1 7/8				
CGE297	2	1 5/8	1 7/8				
CGE395	2 3/16	1 5/8	2 3/32				

# 5F Cord and Cable Fittings

## Straight Body Male Thread Portable Cord

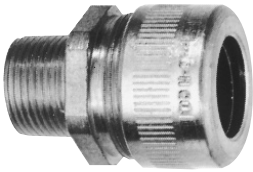
Cl. I, Div. 2\*, Groups A,B,C,D  
 Cl. II, Div. 1, Groups E,F,G  
 Cl. II, Div. 2, Groups F,G  
 Cl. III  
 Wet Locations

Cable and Cord Fittings  
**5F**

For portable cord



With oil impregnated flax packing



### CGB with Tapered Neoprene Bushing and Cable Clamp

For Portable Cord\*

Size	Range Dia.	Cat. #
1/2	.312 to .437	CGB1013
1/2	.375 to .500	CGB1014
1/2	.500 to .625	CGB1015
3/4	.312 to .437	CGB2013
3/4	.375 to .500	CGB2014
3/4	.500 to .625	CGB2015

### CGB with Oil Impregnated Flax Packing

Size	Cable Dia.	Cat. #
1/2	.250 to .625	CGB1
3/4	.594 to .688	CGB2
1	.688 to .968	CGB3
1 1/4	.906 to 1.219	CGB4
1 1/2	1.219 to 1.438	CGB5
2	1.438 to 1.875	CGB6
2 1/2	1.875 to 2.313	CGB7
3	2.313 to 2.625	CGB8

\* May be used in hazardous locations with specific cords and cables when installed in accordance with NEC/CEC requirements.