

# CGA6N4NP02W223J230AA

TDK Item Description : CGA6N4NP02W223T\*\*\*



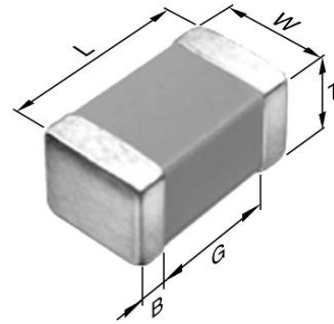
Equivalent C3225NP02W223J for Automotive

## Application & Main Feature

Automotive Grade ( High Temperature Application )

## Series

CGA6(3225) [EIA CC1210]



## Dimensions

L	3.20mm +/-0.4mm
W	2.50mm +/-0.3mm
T	2.30mm +/-0.2mm
B	0.20mm Min.
G	

## Temperature Characteristic

NP0 (-55 to 150 degC 0+/-30ppm/degC)

## Rated Voltage

2W (450Vdc)

## Capacitance

22nF

## Capacitance Tolerance

J (+/-5%)

## Q Factor

1000 Min.

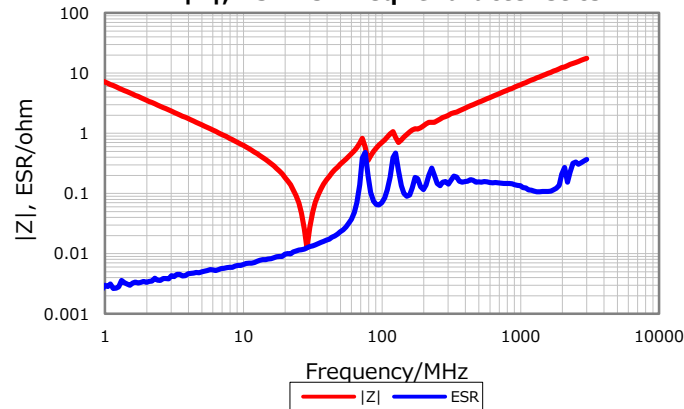
## Insulation Resistance

10Gohm Min

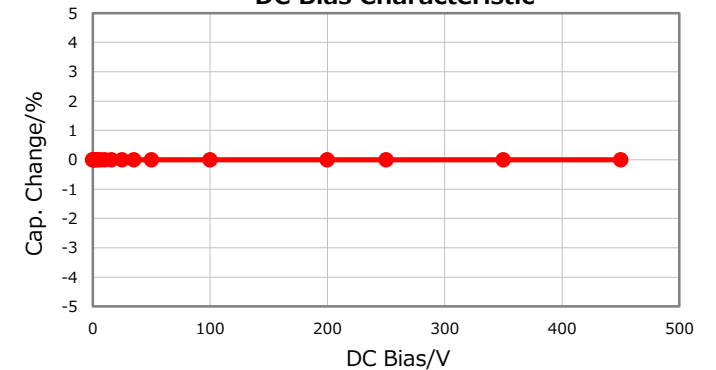
## AEC-Q200

Yes

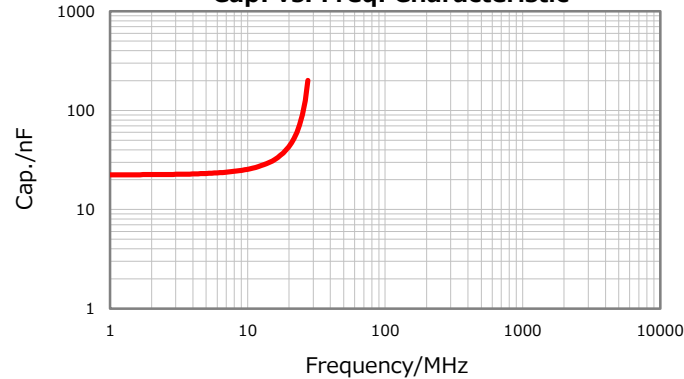
**|Z|, ESR vs. Freq. Characteristics**



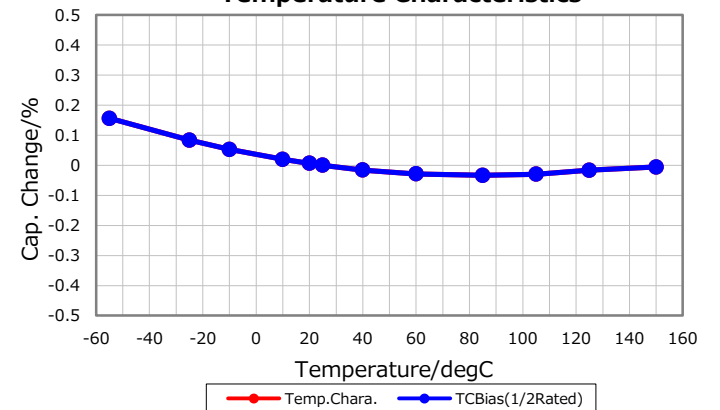
**DC Bias Characteristic**



**Cap. vs. Freq. Characteristic**



**Temperature Characteristics**



Characterization Sheet ( Multilayer Ceramic Chip Capacitors )



All specifications are subject to change without notice.

April 13, 2016