

# CGA3E3NP02E102J080AA

TDK Item Description : CGA3E3NP02E102T\*\*\*\*



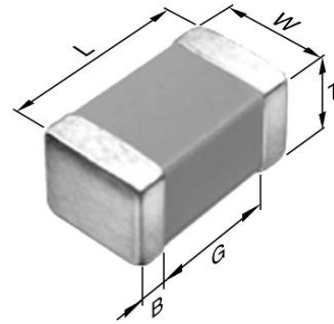
Equivalent C1608NP02E102J for Automotive

## Application & Main Feature

Automotive Grade ( High Temperature Application )

## Series

CGA3(1608) [EIA CC0603]



## Dimensions

L	1.60mm +/-0.1mm
W	0.8mm +/-0.1mm
T	0.8mm +/-0.1mm
B	0.2mm Min.
G	0.3mm Min.

## Temperature Characteristic

NP0 (-55 to 150 degC 0+/-30ppm/degC)

## Rated Voltage

2E (250Vdc)

## Capacitance

1nF

## Capacitance Tolerance

J (+/-5%)

## Q Factor

1000 Min.

## Insulation Resistance

10Gohm Min

## AEC-Q200

Yes

