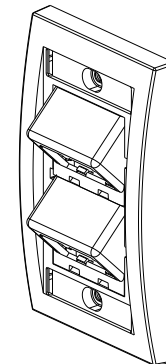
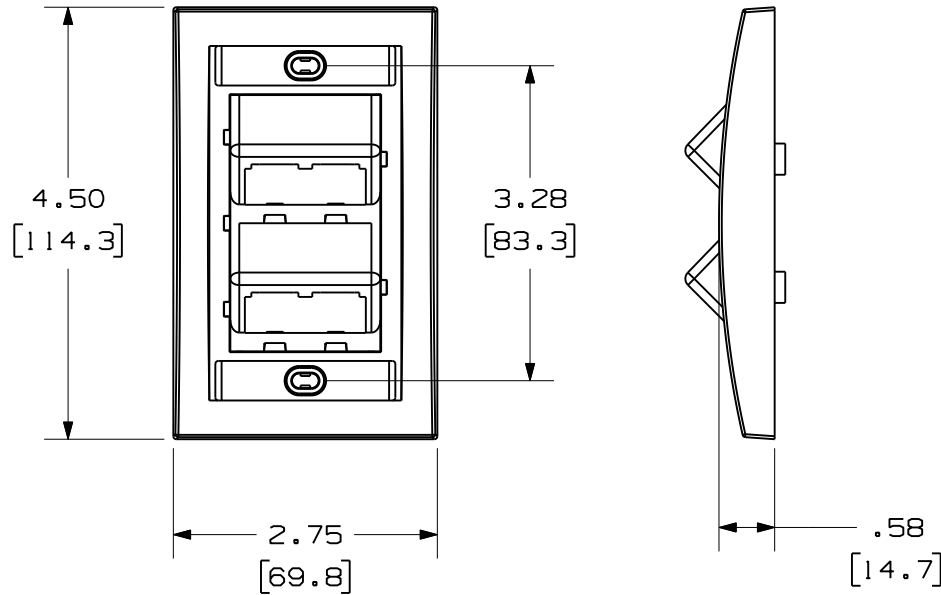


THIS COPY IS PROVIDED ON A RESTRICTED BASIS AND IS NOT TO BE USED IN ANY WAY DETRIMENTAL TO THE INTERESTS OF PANDUIT CORP.

PANDUIT P/N	WEIGHT
CFPSE4**Y	.91 LB/10 PCS (412.8 g/10 PCS.)

NOTES:

1. SEE CURRENT CATALOG FOR ADDITIONAL PART NUMBER SUFFIXES TO INDICATE COLOR AND OR PACKAGE QUANTITY.
2. SEE CATALOG FOR COMPLETE LIST OF PARTS APPLICABLE FOR USE WITH THIS PART.
3. DIMENSIONS IN () ARE METRIC.
4. PART INCLUDES:
 - 1- CBE** FACEPLATE FRAME
 - 2- #6-32 X 1" MOUNTING SCREW
 - 2- LABEL
 - 2- LABEL COVER
 - 2- CHS2**-X INSERT



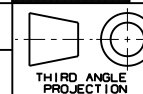
MODEL FILENAME	D35544BF/02	SIZE	A
DRAWING FILENAME	M02479FA_DC133/00B		

MINI-COM SLOPED EXECUTIVE SERIES
FACEPLATE KIT CUSTOMER DRAWING



PANDUIT™
CORP.
TINLEY PARK, ILL 60477

I.I. NUMBER	N/A
PRODUCT SPEC	N/A
WORK INSTRUCTION	N/A
SCALE	NONE
PART NO.	CFPSE4**Y
DRAWING NO.	02479-133



ALL DIMENSIONS ARE GIVEN IN INCHES,
UNLESS OTHERWISE SPECIFIED,
DIMENSIONAL TOLERANCES ARE:
(.X) ± (.XXX) ± .010(.3)
(.XX) ± .03(.8) ANGLES ±

DRAWN BY	JsP
DATE	4-27-06
CHK'D	TCK

MATERIAL:	ABS
-----------	-----

REV	DATE	BY	CHK	DESCRIPTION	ECN	R	CUST	SUP	OTH
I	7-01-09	MDJr	TCK	A. CHS2**-X WAS CHS2S**.	02479-133		MMR		
R	4-27-06	JsP		RELEASED TO PRODUCTION	02479-133				