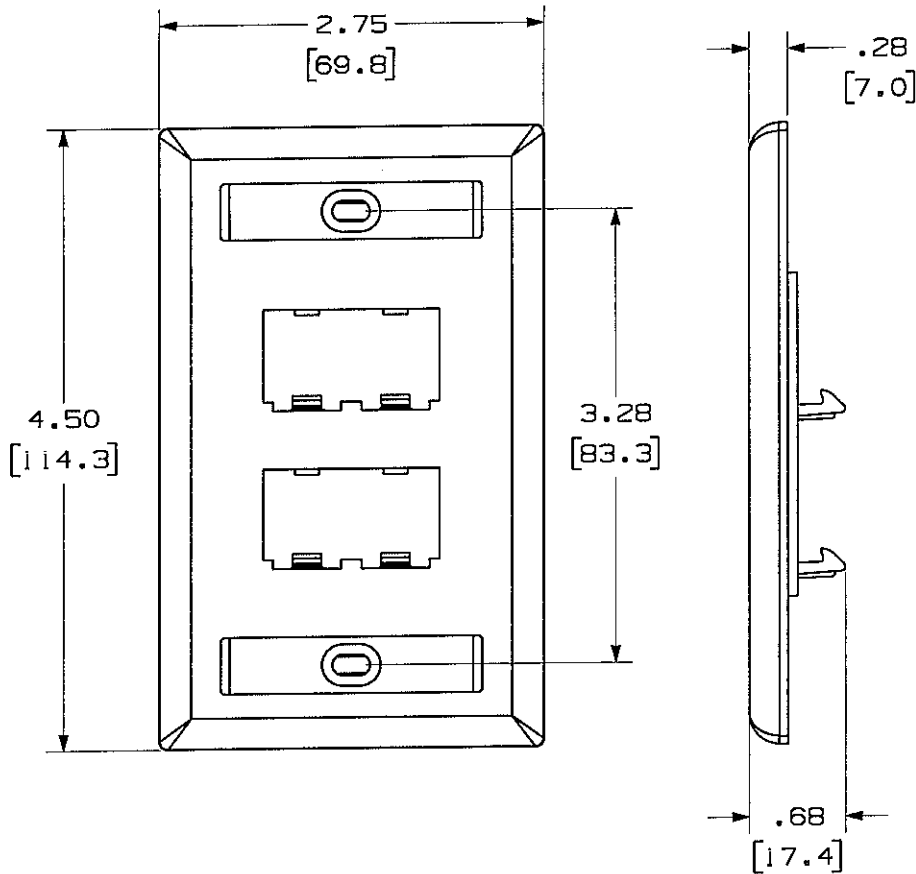


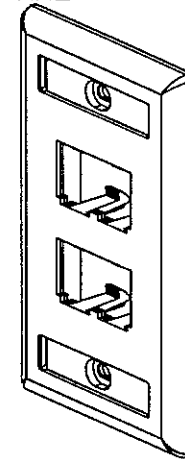
THIS COPY IS PROVIDED ON A RESTRICTED BASIS AND IS NOT TO BE USED IN ANY WAY DETRIMENTAL TO THE INTERESTS OF PANDUIT CORP.



PANDUIT P/N	WEIGHT
CFPL4**Y	.60 LB/10 PCS. (271.1 G/10 PCS.)

NOTES:

- SEE CURRENT CATALOG FOR ADDITIONAL PART NUMBER SUFFIXES TO INDICATE COLOR AND OR PACKAGE QUANTITY.
- SEE CATALOG FOR COMPLETE LIST OF PARTS APPLICABLE FOR USE WITH THIS PART.
- PART INCLUDES:
 - 1- FACEPLATE
 - 2- MOUNTING SCREW
 - 2- LABEL
 - 2- LABEL COVER
- DIMENSIONS IN [] ARE IN METRIC.



NETWORK SYSTEMS
SEP 05 2006
ENGINEERING DEPT

MODEL FILENAME	M00734BG_4POS_VERT_00.PRT	SIZE	A
DRAWING FILENAME	M02479EF_DC111_00A.PRT		

MINI-COM 4 POSITION VERTICAL
FACEPLATE WITH LABEL
CUSTOMER DRAWING

<p>PANDUITTM CORP. TINLEY PARK, ILL 60477</p> <p>ALL DIMENSIONS ARE GIVEN IN INCHES, UNLESS OTHERWISE SPECIFIED. DIMENSIONAL TOLERANCES ARE: (.X) ± (.XXX) ± .010(.3) (.XX) ± .031(.8) ANGLES ±</p> <p>THIRD ANGLE PROJECTION</p>	I.I. NUMBER	N/A
	PRODUCT SPEC	N/A
	WORK INSTRUCTION	N/A
	SCALE	NONE
DRAWN BY JsP	MATERIAL	PART NO. CFPL4**Y
DATE 7-28-06	ABS	DRAWING NO. 02479-111
CHK'D MJD		

REV	DATE	BY	CHK	DESCRIPTION	ECN	R	CUST	SUP	OTH
R	7-28-06	JsP	MJD	RELEASED TO PRODUCTION	02479-111	MJD	MJD		