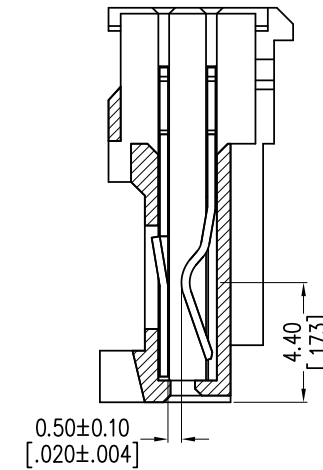
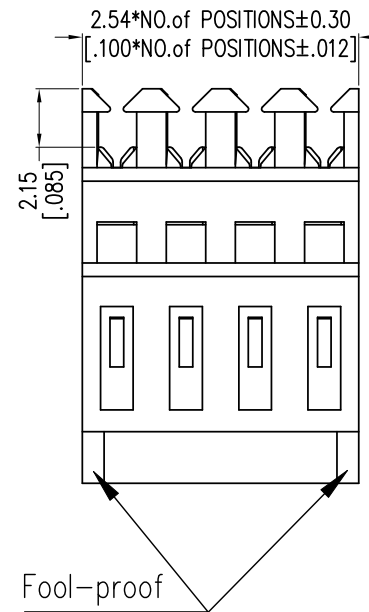
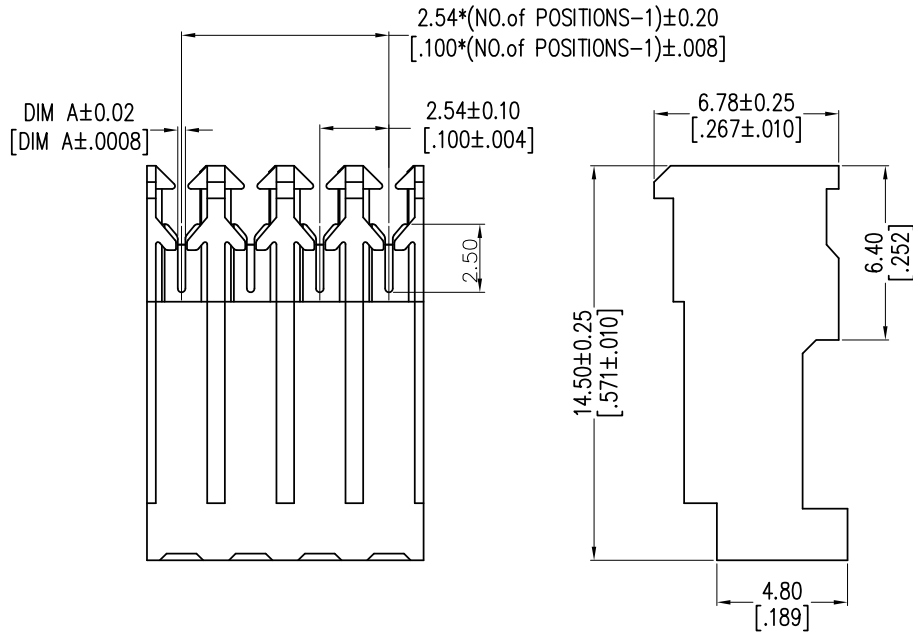


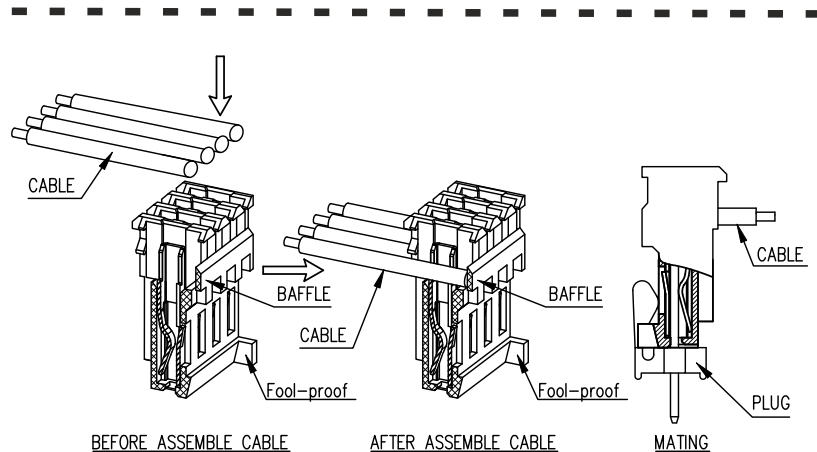
Mas-Con FEMALE END, Series 100, 2,54mm, polarized



NOTES:
 Current Rating: 3,0 - 4,0AMP
 Voltage Rating: 300V AC
 Contact Resistance: 10mΩ max.
 Withstand Voltage: 750V AC/DC/Minute
 Insulation Resistance: 1000MΩ min.
 Operation Temperature: -55°C to +105°C

Contact Material: Copper Alloy
 Contact Plating: Sn over Ni (Au on request)
 Insulator Material: PA66 (UL94 V-2)

| OPERATION | |
|-----------|---------------|
| X.X | ± 0.40 |
| X.XX | ± 0.25 |
| X.XXX | ± 0.15 |
| Angle | $\pm 3^\circ$ |
| DIM | TOL |



Sheet 1 of 2

| REV | DATE | NOTE | NAME |
|-----|------------|---------------|------|
| 3 | 30.11.2020 | revised | JAL |
| 2 | 21.01.2020 | comp. revised | LAD |
| 1 | 26.11.2019 | issued | LAD |

Mas-Con FEMALE END, Series 100, 2,54mm, polarized



| ORDERING INFORMATION | | | | |
|----------------------|-----------|-------|-----------|----------------|
| Part No. | Wire Size | DIM A | AWG color | Current Rating |
| CEP100F22-02- D E | 22 AWG | 0,48 | red | 4,0 A |
| CEP100F22-03- D E | 22 AWG | 0,48 | red | 4,0 A |
| CEP100F22-04- D E | 22 AWG | 0,48 | red | 4,0 A |
| CEP100F22-05- D E | 22 AWG | 0,48 | red | 4,0 A |
| CEP100F22-06- C E | 22 AWG | 0,48 | red | 4,0 A |
| CEP100F22-07- C E | 22 AWG | 0,48 | red | 4,0 A |
| CEP100F22-08- C E | 22 AWG | 0,48 | red | 4,0 A |
| CEP100F22-09- C E | 22 AWG | 0,48 | red | 4,0 A |
| CEP100F22-10- C E | 22 AWG | 0,48 | red | 4,0 A |
| CEP100F22-11- C E | 22 AWG | 0,48 | red | 4,0 A |
| CEP100F22-12- C E | 22 AWG | 0,48 | red | 4,0 A |
| CEP100F22-13- C E | 22 AWG | 0,48 | red | 4,0 A |
| CEP100F22-14- C E | 22 AWG | 0,48 | red | 4,0 A |
| CEP100F22-15- C E | 22 AWG | 0,48 | red | 4,0 A |
| CEP100F22-16- C E | 22 AWG | 0,48 | red | 4,0 A |
| CEP100F22-17- C E | 22 AWG | 0,48 | red | 4,0 A |
| CEP100F22-18- C E | 22 AWG | 0,48 | red | 4,0 A |
| CEP100F22-19- C E | 22 AWG | 0,48 | red | 4,0 A |
| CEP100F22-20- C E | 22 AWG | 0,48 | red | 4,0 A |
| CEP100F22-21- C E | 22 AWG | 0,48 | red | 4,0 A |
| CEP100F22-22- C E | 22 AWG | 0,48 | red | 4,0 A |
| CEP100F22-23- C E | 22 AWG | 0,48 | red | 4,0 A |
| CEP100F22-24- C E | 22 AWG | 0,48 | red | 4,0 A |
| CEP100F22-25- C E | 22 AWG | 0,48 | red | 4,0 A |
| CEP100F22-26- C E | 22 AWG | 0,48 | red | 4,0 A |
| CEP100F22-27- C E | 22 AWG | 0,48 | red | 4,0 A |
| CEP100F22-28- C E | 22 AWG | 0,48 | red | 4,0 A |

| ORDERING INFORMATION | | | | |
|----------------------|-----------|-------|-----------|----------------|
| Part No. | Wire Size | DIM A | AWG color | Current Rating |
| CEP100F24-02- D E | 24 AWG | 0,34 | black | 3,5 A |
| CEP100F24-03- D E | 24 AWG | 0,34 | black | 3,5 A |
| CEP100F24-04- D E | 24 AWG | 0,34 | black | 3,5 A |
| CEP100F24-05- D E | 24 AWG | 0,34 | black | 3,5 A |
| CEP100F24-06- C E | 24 AWG | 0,34 | black | 3,5 A |
| CEP100F24-07- C E | 24 AWG | 0,34 | black | 3,5 A |
| CEP100F24-08- C E | 24 AWG | 0,34 | black | 3,5 A |
| CEP100F24-09- C E | 24 AWG | 0,34 | black | 3,5 A |
| CEP100F24-10- C E | 24 AWG | 0,34 | black | 3,5 A |
| CEP100F24-11- C E | 24 AWG | 0,34 | black | 3,5 A |
| CEP100F24-12- C E | 24 AWG | 0,34 | black | 3,5 A |
| CEP100F24-13- C E | 24 AWG | 0,34 | black | 3,5 A |
| CEP100F24-14- C E | 24 AWG | 0,34 | black | 3,5 A |
| CEP100F24-15- C E | 24 AWG | 0,34 | black | 3,5 A |
| CEP100F24-16- C E | 24 AWG | 0,34 | black | 3,5 A |
| CEP100F24-17- C E | 24 AWG | 0,34 | black | 3,5 A |
| CEP100F24-18- C E | 24 AWG | 0,34 | black | 3,5 A |
| CEP100F24-19- C E | 24 AWG | 0,34 | black | 3,5 A |
| CEP100F24-20- C E | 24 AWG | 0,34 | black | 3,5 A |
| CEP100F24-21- C E | 24 AWG | 0,34 | black | 3,5 A |
| CEP100F24-22- C E | 24 AWG | 0,34 | black | 3,5 A |
| CEP100F24-23- C E | 24 AWG | 0,34 | black | 3,5 A |
| CEP100F24-24- C E | 24 AWG | 0,34 | black | 3,5 A |
| CEP100F24-25- C E | 24 AWG | 0,34 | black | 3,5 A |
| CEP100F24-26- C E | 24 AWG | 0,34 | black | 3,5 A |
| CEP100F24-27- C E | 24 AWG | 0,34 | black | 3,5 A |
| CEP100F24-28- C E | 24 AWG | 0,34 | black | 3,5 A |

| ORDERING INFORMATION | | | | |
|----------------------|-----------|-------|-----------|----------------|
| Part No. | Wire Size | DIM A | AWG color | Current Rating |
| CEP100F26-02- D E | 26 AWG | 0,28 | blue | 3,5 A |
| CEP100F26-03- D E | 26 AWG | 0,28 | blue | 3,5 A |
| CEP100F26-04- D E | 26 AWG | 0,28 | blue | 3,5 A |
| CEP100F26-05- D E | 26 AWG | 0,28 | blue | 3,5 A |
| CEP100F26-06- C E | 26 AWG | 0,28 | blue | 3,5 A |
| CEP100F26-07- C E | 26 AWG | 0,28 | blue | 3,5 A |
| CEP100F26-08- C E | 26 AWG | 0,28 | blue | 3,5 A |
| CEP100F26-09- C E | 26 AWG | 0,28 | blue | 3,5 A |
| CEP100F26-10- C E | 26 AWG | 0,28 | blue | 3,5 A |
| CEP100F26-11- C E | 26 AWG | 0,28 | blue | 3,5 A |
| CEP100F26-12- C E | 26 AWG | 0,28 | blue | 3,5 A |
| CEP100F26-13- C E | 26 AWG | 0,28 | blue | 3,5 A |
| CEP100F26-14- C E | 26 AWG | 0,28 | blue | 3,5 A |
| CEP100F26-15- C E | 26 AWG | 0,28 | blue | 3,5 A |
| CEP100F26-16- C E | 26 AWG | 0,28 | blue | 3,5 A |
| CEP100F26-17- C E | 26 AWG | 0,28 | blue | 3,5 A |
| CEP100F26-18- C E | 26 AWG | 0,28 | blue | 3,5 A |
| CEP100F26-19- C E | 26 AWG | 0,28 | blue | 3,5 A |
| CEP100F26-20- C E | 26 AWG | 0,28 | blue | 3,5 A |
| CEP100F26-21- C E | 26 AWG | 0,28 | blue | 3,5 A |
| CEP100F26-22- C E | 26 AWG | 0,28 | blue | 3,5 A |
| CEP100F26-23- C E | 26 AWG | 0,28 | blue | 3,5 A |
| CEP100F26-24- C E | 26 AWG | 0,28 | blue | 3,5 A |
| CEP100F26-25- C E | 26 AWG | 0,28 | blue | 3,5 A |
| CEP100F26-26- C E | 26 AWG | 0,28 | blue | 3,5 A |
| CEP100F26-27- C E | 26 AWG | 0,28 | blue | 3,5 A |
| CEP100F26-28- C E | 26 AWG | 0,28 | blue | 3,5 A |

| ORDERING INFORMATION | | | | |
|----------------------|-----------|-------|-----------|----------------|
| Part No. | Wire Size | DIM A | AWG color | Current Rating |
| CEP100F28-02- D E | 28 AWG | 0,2 | green | 3,0 A |
| CEP100F28-03- D E | 28 AWG | 0,2 | green | 3,0 A |
| CEP100F28-04- D E | 28 AWG | 0,2 | green | 3,0 A |
| CEP100F28-05- D E | 28 AWG | 0,2 | green | 3,0 A |
| CEP100F28-06- C E | 28 AWG | 0,2 | green | 3,0 A |
| CEP100F28-07- C E | 28 AWG | 0,2 | green | 3,0 A |
| CEP100F28-08- C E | 28 AWG | 0,2 | green | 3,0 A |
| CEP100F28-09- C E | 28 AWG | 0,2 | green | 3,0 A |
| CEP100F28-10- C E | 28 AWG | 0,2 | green | 3,0 A |
| CEP100F28-11- C E | 28 AWG | 0,2 | green | 3,0 A |
| CEP100F28-12- C E | 28 AWG | 0,2 | green | 3,0 A |
| CEP100F28-13- C E | 28 AWG | 0,2 | green | 3,0 A |
| CEP100F28-14- C E | 28 AWG | 0,2 | green | 3,0 A |
| CEP100F28-15- C E | 28 AWG | 0,2 | green | 3,0 A |
| CEP100F28-16- C E | 28 AWG | 0,2 | green | 3,0 A |
| CEP100F28-17- C E | 28 AWG | 0,2 | green | 3,0 A |
| CEP100F28-18- C E | 28 AWG | 0,2 | green | 3,0 A |
| CEP100F28-19- C E | 28 AWG | 0,2 | green | 3,0 A |
| CEP100F28-20- C E | 28 AWG | 0,2 | green | 3,0 A |
| CEP100F28-21- C E | 28 AWG | 0,2 | green | 3,0 A |
| CEP100F28-22- C E | 28 AWG | 0,2 | green | 3,0 A |
| CEP100F28-23- C E | 28 AWG | 0,2 | green | 3,0 A |
| CEP100F28-24- C E | 28 AWG | 0,2 | green | 3,0 A |
| CEP100F28-25- C E | 28 AWG | 0,2 | green | 3,0 A |
| CEP100F28-26- C E | 28 AWG | 0,2 | green | 3,0 A |
| CEP100F28-27- C E | 28 AWG | 0,2 | green | 3,0 A |
| CEP100F28-28- C E | 28 AWG | 0,2 | green | 3,0 A |

Sheet 2 of 2

| REV | DATE | NOTE | NAME |
|-----|------------|---------------|------|
| 3 | 30.11.2020 | revised | JAL |
| 2 | 21.01.2020 | comp. revised | LAD |
| 1 | 26.11.2019 | issued | LAD |