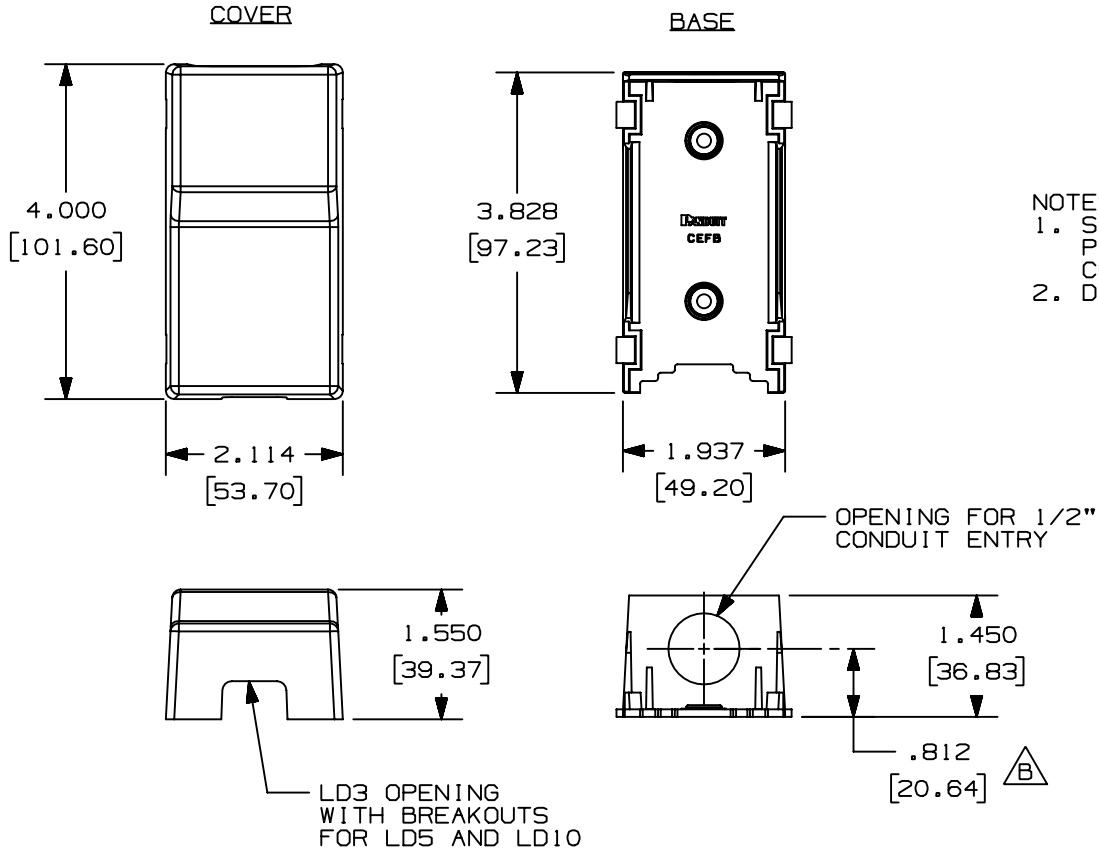
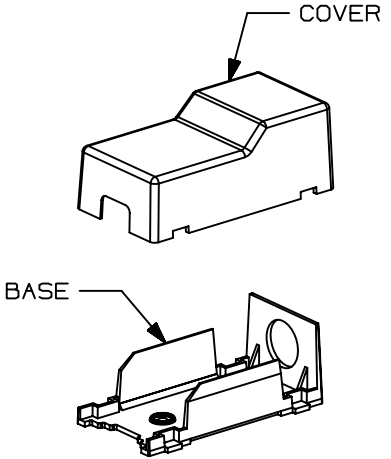


THIS COPY IS PROVIDED ON A RESTRICTED BASIS AND IS NOT TO BE USED IN ANY WAY DETRIMENTAL TO THE INTERESTS OF PANDUIT CORP.



PANDUIT P/N	WEIGHT
CEFX-X	.143 lbs [64.88 g]

NOTES:
 1. SEE CURRENT CATALOG FOR ADDITIONAL PART NUMBER SUFFIXES TO INDICATE COLOR AND/OR PACKAGE QUANTITY.
 2. DIMENSIONS IN PARENTHESIS ARE METRIC.



CAD FILENAME/LAYERS		D38913AB_DC_CEFX_04D.PRT	
PANDUIT CORP. TINLEY PARK, ILLINOIS			
CONDUIT ENTRANCE FITTING BASE AND COVER (CEFX) CUSTOMER DRAWING			
UNLESS OTHERWISE SPECIFIED, DIMENSIONAL TOLERANCES ARE: (.X) ± (.XXX) ±.005 (.XX) ±.010 ANGLES ±1°		UNLESS OTHERWISE SPECIFIED, ALL DIMENSIONS ARE GIVEN IN INCHES, THIRD ANGLE PROJECTION.	
3	01-17-05	JHEP	RMHI
2	12-21-04	JHEP	RMHI
1	11-29-04	JHEP	RMHI
R	08-17-04	JHEP	RMHI
REV	DATE	BY	CHK
DESCRIPTION		ECN	CHK CUST SUP
B. ADDED DIMENSION		38913-03	RGRO RGRO
A. ADDED MATERIAL INFORMATION		38913-03	RGRO RGRO
RELEASED TO PRODUCTION		38913-03	RGRO RGRO
DRAWING RELEASED			
DRAWN BY JHEP		MAT'L: PVC	
DATE 08-17-04		SCALE NONE	
CHK'D RMHI		DRAWING NO. 38913-03	
		DWB A	
		SIZE A	